

FLEXIDOME AN outdoor 4000 IR

www.boschsecurity.com



BOSCH

Invented for life



- ▶ Ultra high resolution 960H (1/3") DS sensor
- ▶ True Wide Dynamic Range (WDR)
- ▶ Digital noise reduction
- ▶ Integrated IR LEDs for 20 m of night vision
- ▶ Easy installation with 3-axis adjustment

These Wide Dynamic Range (WDR) outdoor IR domes are compact, stylish surveillance cameras that offer excellent resolution in variable lighting conditions. The high performance 960H 1/3-inch Double Scan (DS) CCD sensor provides a resolution of 720TVL. The WDR function ensures the best image performance under difficult (high contrast) lighting conditions. The water resistant (IP66 rated) and vandal resistant (IK8 rated) housing ensures reliable video surveillance in a variety of indoor and outdoor applications. This integrated IR camera has 18 on-board IR LEDs providing 20 meters of night vision. The camera is easy to install and can be adjusted around 3 axes.

Certifications and approvals

Standards

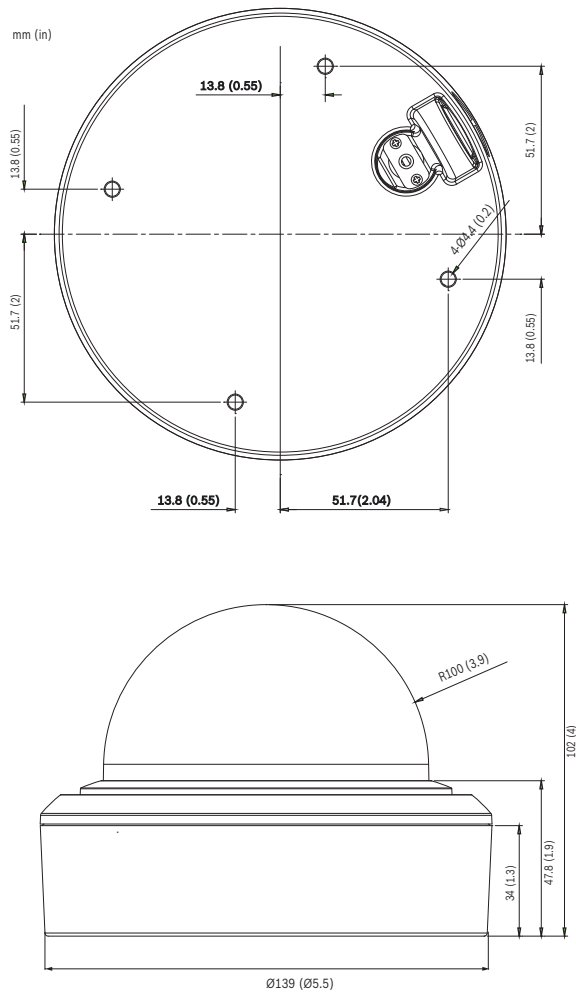
FCC Part 15:2013
EN61000-3-2:2014
EN61000-3-3:2013
EN55024:2010
EN50130-4:2011

	EN55022:2010
	EN60950-1:2006 + A11:2009 + A1:2010 + A12:2011 + A2:2013
	UL 60950-1, 2nd Edition. 2014-10-14
	CAN/CSA-C22.2 No. 60950-1-07, 2nd Edition, 2014-10
	C-tick

Ingress protection	IP66
Impact protection	IK08

Region	Certification	
Europe	CE	VDx_242_244
USA	UL	Bosch UL online certification
Canada	ULC	Bosch UL online certification

Installation/configuration notes



Technical specifications

System	PAL or NTSC
Effective pixels (H x V)	976 x 582 (PAL) 976 x 494 (NTSC)
Image Sensor	960H, 1/3" DS CCD, sensor resolution 720TVL
Video Output	Composite: 1 Vpp, 75 Ohm
Sync. System	Internal sync., Line-lock
S/N Ratio (AGC off)	50 dB min.
Sensitivity (F1.2, 50IRE, AGC max.)	Color: 0.15 lx (DSS 0.0005 lx) B/W (with IR) 0.0 lx
Electronic shutter	1/50 – 1/10,000 (PAL) 1/60 – 1/10,000 (NTSC)
Digital Slow Shutter (DSS)	Off, 2x to 512x
WDR	Off/On (54 dB)
DNR	Off, 2DNR, 3DNR

White Balance	ATW, Push, User1, User2, Anti CR, Manual, Push lock
Light compensation	OFF/BLC/HLC
AGC	0 to 20
Day/Night	IREL, Auto, Color, B/W
IREL (Infra-Red Emitting Diodes)	18 on-board IR LEDs
Digital zoom	Off, 2x, 3x, 4x, 6x, 8x, 16x
Digital Image Stabilizer (DIS)	On, Off
Burst	On, Off
Motion detection	On, Off (4 programmable zones)
Privacy	On, Off (15 programmable zones)
Mirror	Off, H-flip, V-flip, HV-flip
Sharpness	0 - 15
Gamma	0.38, 0.42, 0.45, 0.5, 0.55, 0.63, 0.71, 0.83
OSD language	English (16 languages)
Lens type	Varifocal DC Iris f=2.8 to 12 mm
Dimensions (Ø x H)	139 mm x 102 mm
Weight	616 g (heater version: 630 g)
Supply Voltage	24 VAC (±10%) 12 VDC (±10%)
Power Consumption	6 W max. / 0.5 A (no heater) 15.6 W max. / 0.8 A (with heater – H version)
Operating Temperature	-10 °C to +50 °C (14 °F to +122 °F) (no heater) -30 °C to +50 °C (-22 °F to +122 °F) (with heater – H version)
Storage Temperature	-20 °C to +60 °C (-4 °F to +140 °F)
Storage Humidity	20% to 90% RH

Ordering information

FLEXIDOME AN outdoor 4000 IR

960H analog outdoor WDR infrared dome camera. IP66; IK08; 12VDC/24VAC; true WDR; varifocal 2.8 to 12 mm lens; true day/night; 720 TVL; 3-axis adjustment; 4-zone motion detect; 15-zone privacy mask; NTSC
Order number **VDI-244V03-2**

FLEXIDOME AN outdoor 4000 IR

960H analog outdoor WDR infrared dome camera. IP66; IK08; 12VDC/24VAC; true WDR; varifocal 2.8 to 12 mm lens; true day/night; 720 TVL; 3-axis adjustment; 4-zone motion detect; 15-zone privacy mask; PAL

Order number **VDI-244V03-1**

FLEXIDOME AN outdoor 4000 IR

960H analog outdoor WDR infrared dome camera. IP66; IK08; 12VDC/24VAC; varifocal 2.8 to 12 mm lens; true day/night; 720 TVL; 3-axis adjustment; 4-zone motion detect; 15-zone privacy mask; NTSC; heater

Order number **VDI-244V03-2H**

FLEXIDOME AN outdoor 4000 IR

960H analog outdoor WDR infrared dome camera. IP66; IK08; 12VDC/24VAC; true WDR; varifocal 2.8 to 12 mm lens; true day/night; 720 TVL; 3-axis adjustment; 4-zone motion detect; 15-zone privacy mask; PAL; heater

Order number **VDI-244V03-1H**

Accessories

VDA-WMT-AODOME Outdoor Wall Mount

Sturdy outdoor wall mount bracket for dome cameras (Ø166 mm)

Order number **VDA-WMT-AODOME**

VDA-PMT-AODOME Outdoor Pipe Mount

Sturdy outdoor pipe mount bracket for dome cameras (Ø166 mm)

Order number **VDA-PMT-AODOME**

LTC 9213/01 Pole Mount Adapter

Flexible pole mount adapter for camera mounts (use together with the appropriate wall mount bracket). Max. 9 kg (20 lb); 3 to 15 inch diameter pole; stainless steel straps

Order number **LTC 9213/01**

VDA-CMT-PTZDOME Corner Mount Adapter

Corner mount adapter for use with the appropriate wall mount to attach a camera onto an indoor or outdoor pole (mast)

Order number **VDA-CMT-PTZDOME**

Represented by:

North America:

Bosch Security Systems, Inc.
130 Perinton Parkway
Fairport, New York, 14450, USA
Phone: +1 800 289 0096
Fax: +1 585 223 9180
security.sales@us.bosch.com
www.boschsecurity.us

Europe, Middle East, Africa:

Bosch Security Systems B.V.
P.O. Box 80002
5617 BA Eindhoven, The Netherlands
Phone: + 31 40 2577 284
Fax: +31 40 2577 330
emea.securitysystems@bosch.com
www.boschsecurity.com

Asia-Pacific:

Robert Bosch (SEA) Pte Ltd, Security Systems
11 Bishan Street 21
Singapore 573943
Phone: +65 6571 2808
Fax: +65 6571 2699
apr.securitysystems@bosch.com
www.boschsecurity.asia

China:

Bosch (Shanghai) Security Systems Ltd.
203 Building, No. 333 Fuquan Road
North IBP
Changning District, Shanghai
200335 China
Phone +86 21 22181111
Fax: +86 21 22182398
www.boschsecurity.com.cn

Latin America and Caribbean:

Robert Bosch Ltda Security Systems Division
Via Anhanguera, Km 98
CEP 13065-900
Campinas, Sao Paulo, Brazil
Phone: +55 19 2103 2860
Fax: +55 19 2103 2862
latam.boschsecurity@bosch.com
www.boschsecurity.com