

Addendum for *Universal Monitor Mounts Mounting Guide*

Modified Instructions for Mounting the 19RTL B 19-inch Color LCD Display Monitor

The UMM-LW-20B and the UMM-LW-30B universal monitor mounts do not include the four (4) M4x10 mm screws when ordered for the 19RTL B LCD color monitor. You must use the four (4) screws that attach the monitor stand to the monitor to attach the VESA® mounting plate to the back of the monitor. Use the following procedure:

1. Place the monitor screen-side down on a clean, flat surface.



Figure 1 Rear view of 19RTL B

2. Press the plastic tab, at the two locations indicated below, and pull the tab up.



Figure 2 Close-up view of tab

3. Remove the four screws to release the monitor stand. Reserve the screws.
4. Attach the VESA mounting plate to the back of the 19RTL B monitor using the four (4) screws removed in step 3.

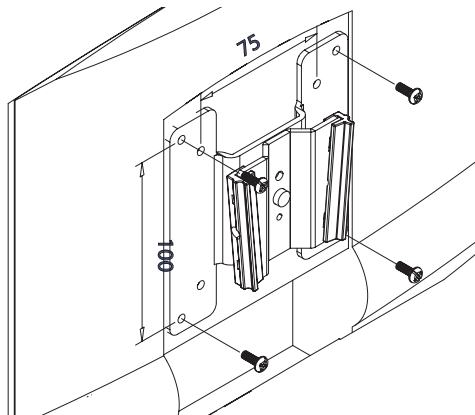


Figure 3 Attach mounting plate to monitor

5. Follow the instructions provided in the *Universal Monitor Mounts Mounting Guide*.