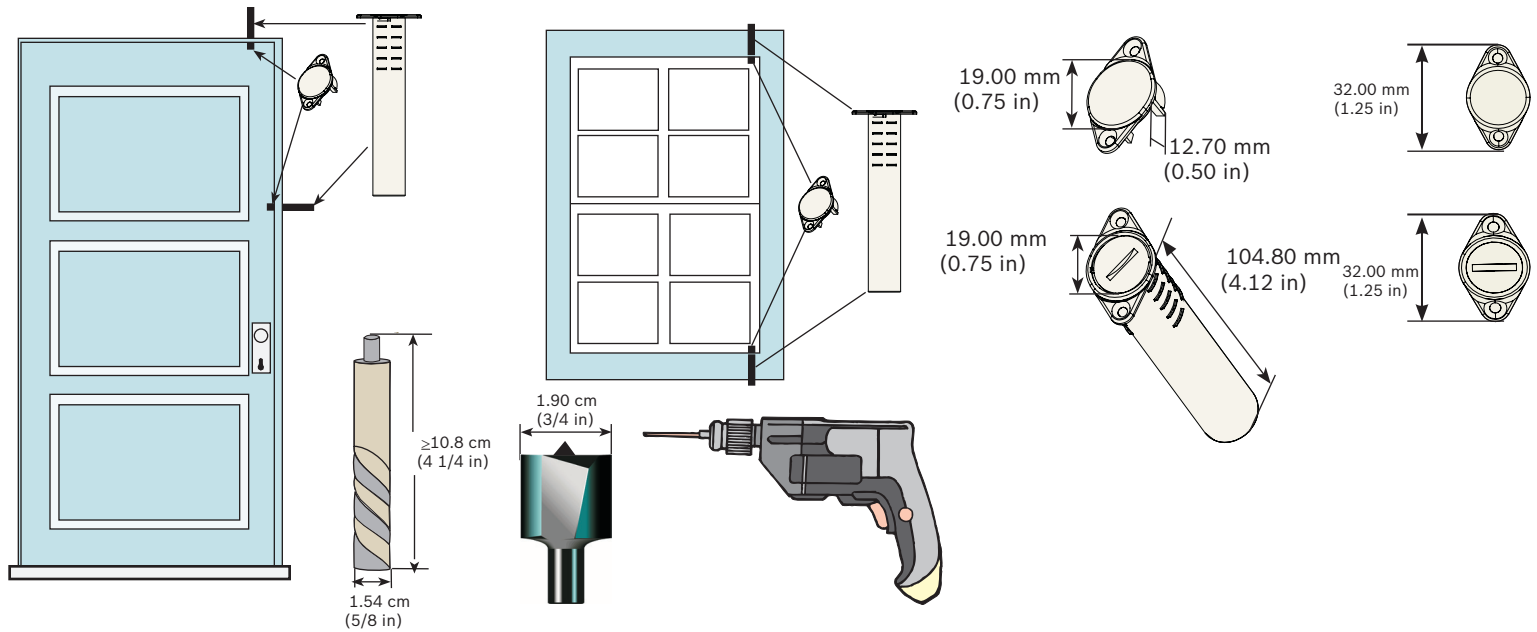


RADION contact RM
RFDW-RM/RFDW-RM-A



Installation Manual



UL - only model RFDW-RM-A is evaluated by UL
UL634: Standard for Connectors and Switches for use with Burglar-Alarm Systems
UL1023: Standard for Household Burglar Alarm System Units

FCC, Part 15

Industry Canada (IC)

CE
EN 50131-2-6
EN 50131-5-3
Grade 2
Environment Class II

NF
NFA2P
AFNOR: www.marque-nf.com
CNPP: www.cnpp.com
NF324-H58
Certificate number 2120200021

VdS
H116003
RFDW-RM only



Energizer L92 AAA Lithium 1.5 VDC



P/N: F.01U.261.834 - B810
P/N: F.01U.261.835 - RFRC-OPT



433.42 MHz
10 mW maximum

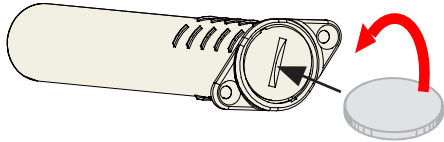


0 - 93% Non-condensing
humidity

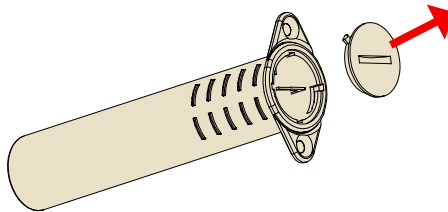


Functional range: -10°C to +49°C (+14°F to +120°F)
UL only: 0°C to +49°C (+32°F to +120°F)
EN 50130-5 Class II only: -10°C to +40°C (+14°F to +104°F)

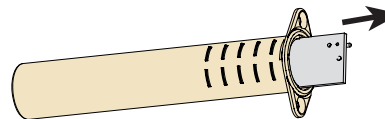
1



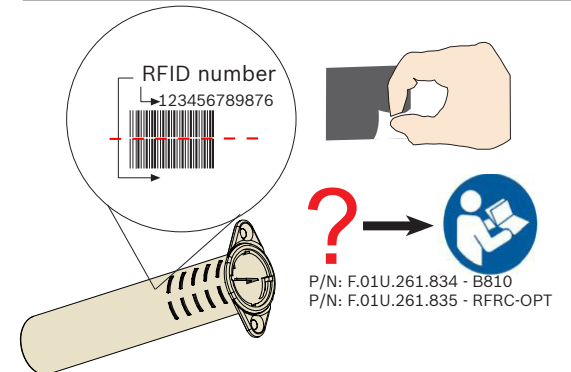
2



3

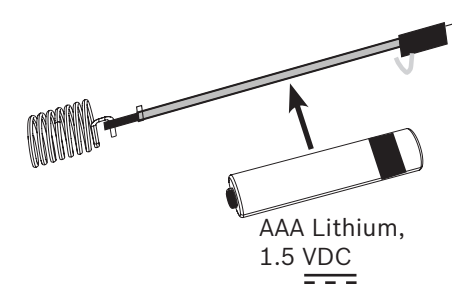


4

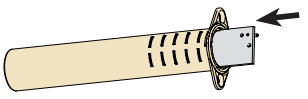


P/N: F.01U.261.834 - B810
P/N: F.01U.261.835 - RFRC-OPT

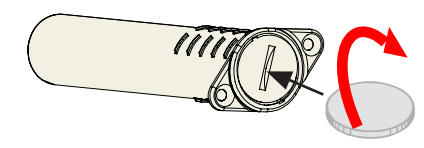
5



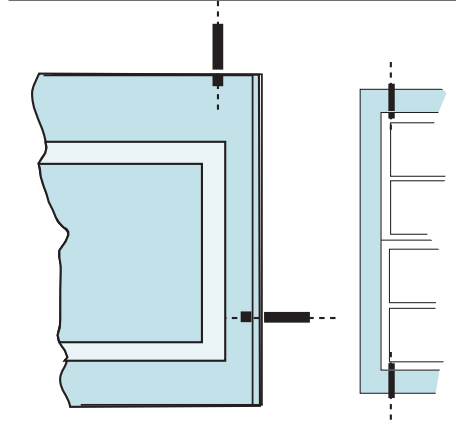
6



7



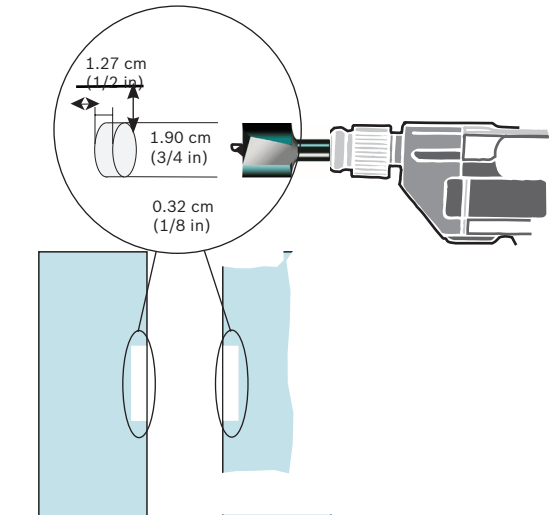
8



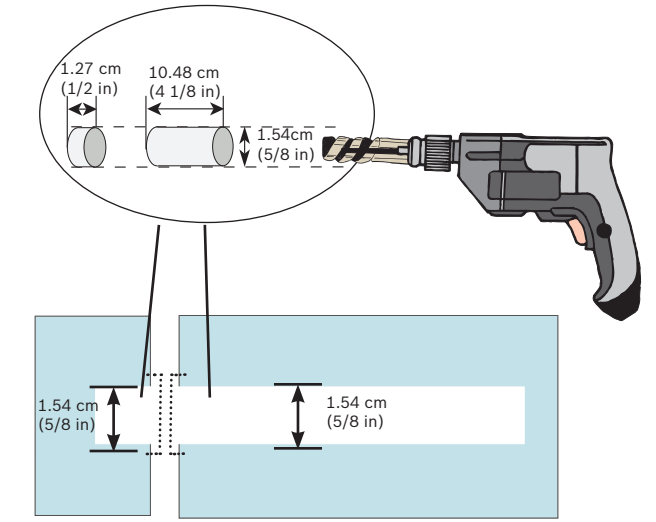
9

	X	14 mm (0.55 in)	14 mm (0.55 in)
	Y	21 mm (0.83 in)	20 mm (0.78 in)
		X	

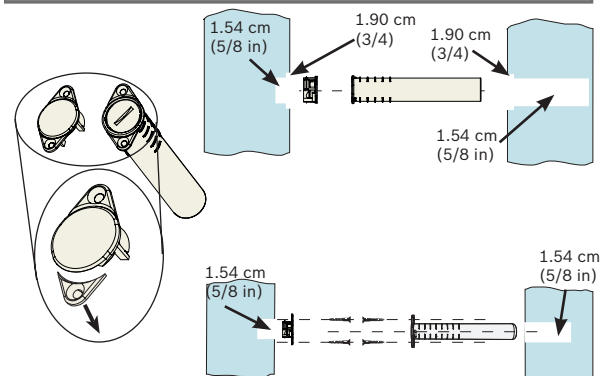
10



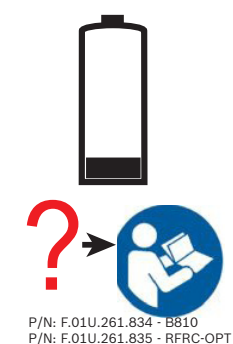
11



12



13



P/N: F.01U.261.834 - B810
P/N: F.01U.261.835 - RFRC-OPT

Copyright
This document is the intellectual property of Bosch Security Systems, Inc. and is protected by copyright. All rights reserved.

Trademarks
All hardware and software product names used in this document are likely to be registered trademarks and must be treated accordingly.

Determine Bosch Security Systems, Inc. Product Manufacturing Dates
Use the serial number located on the product label and refer to the Bosch Security Systems, Inc web site at:
<http://www.boschsecurity.com/datecodes/>.

