

# Outdoor D/N Dome Camera, NTSC

www.boschsecurity.com



**BOSCH**  
Invented for life



- ▶ Excellent resolution (700 TVL)
- ▶ Flexible viewing field
- ▶ Easy setup
- ▶ Secure all-weather installation

This Outdoor Dome camera has a robust, conduit compatible, all-weather housing (IP66 rated) and provides high-resolution color images (700TVL Sensor Resolution).

It switches to monochrome mode with a higher light sensitivity when there is insufficient lighting.

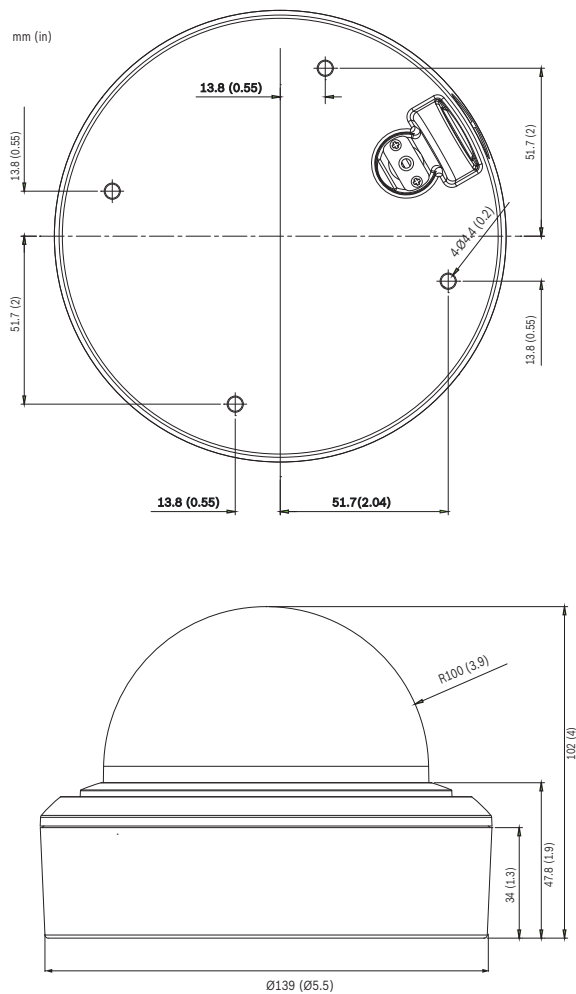
## Certifications and approvals

### Standards

FCC Part 15:2013
EN61000-3-2:2014
EN61000-3-3:2013
EN55024:2010
EN50130-4:2011
EN55022:2010
EN60950-1:2006 + A11:2009 + A1:2010 + A12:2011 + A2:2013
UL 60950-1, 2nd Edition. 2014-10-14

	CAN/CSA-C22.2 No. 60950-1-07, 2nd Edition, 2014-10	
	C-tick	
Ingress protection	IP66	
Impact protection	IK08	
Region	Certification	
Europe	CE	Outdoor VDX-241

**Installation/configuration notes**



**Technical specifications**

**Video**

CCD Camera	1/3-inch High Sensitivity CCD
Effective pixels (HxV)	768X494
Horizontal Resolution	700 TVL Sensor Resolution
Electronics Iris	1/50 to 1/120,000 s
Manual shutter	1/50 (1/60), 1/100 (1/120), 1/250, 1/500, 1/700, 1/1K, 1/1.6k, 1/2.5K, 1/5K, 1/7K, 1/10K, 1/30K, 1/60K, 1/120K
Output Signal	1 VPP composite video, 75 ohm
Output connection	BNC connector
S/N Ratio	Greater than 50 dB
Gamma	0.35, 0.45 (default), 0.6, 0.75

Lens	2.8 to 12 mm varifocal auto-iris with mechanical D/N filter
Sensitivity	0.05 lx (color), 0.005 lx (b/w)

**Mechanical**

Housing	Surface mount dome, vandal resistant
Gimbals	3D gimbal for easy installation
Construction	Robust aluminum
Finish	Off-white
Conduit Compatible	1/2-inch PT, top and side

**Electrical**

Power Consumption	3.6 W max.
Voltage	12 VDC or 24 VAC
Power Supply	Not included

**Environmental**

Operational Temp.	-10 °C to +50 °C (14 °F to +122 °F)
Storage Temp.	-20 °C to +60 °C (-4 °F to +140 °F)
Certified	IP66

**Ordering information**

**Outdoor D/N Dome Camera, NTSC**

Cost-effective analog outdoor dome camera. IP66; varifocal 2.8 to 12 mm lens with auto iris; 700 TVL; mechanical day/night filter; NTSC  
Order number **VDN-241V03-2**

**Accessories**

**VDA-WMT-AODOME Outdoor Wall Mount**

Sturdy outdoor wall mount bracket for dome cameras (Ø166 mm)  
Order number **VDA-WMT-AODOME**

**VDA-PMT-AODOME Outdoor Pipe Mount**

Sturdy outdoor pipe mount bracket for dome cameras (Ø166 mm)  
Order number **VDA-PMT-AODOME**

**VDA-CMT-PTZDOME Corner Mount Adapter**

Corner mount adapter for use with the appropriate wall mount to attach a camera onto an indoor or outdoor pole (mast)  
Order number **VDA-CMT-PTZDOME**

**LTC 9213/01 Pole Mount Adapter**

Flexible pole mount adapter for camera mounts (use together with the appropriate wall mount bracket).  
Max. 9 kg (20 lb); 3 to 15 inch diameter pole; stainless steel straps  
Order number **LTC 9213/01**

---

**Represented by:**

**North America:**

Bosch Security Systems, Inc.  
130 Perinton Parkway  
Fairport, New York, 14450, USA  
Phone: +1 800 289 0096  
Fax: +1 585 223 9180  
security.sales@us.bosch.com  
www.boschsecurity.us

**Europe, Middle East, Africa:**

Bosch Security Systems B.V.  
P.O. Box 80002  
5617 BA Eindhoven, The Netherlands  
Phone: + 31 40 2577 284  
Fax: +31 40 2577 330  
emea.securitysystems@bosch.com  
www.boschsecurity.com

**Asia-Pacific:**

Robert Bosch (SEA) Pte Ltd, Security Systems  
11 Bishan Street 21  
Singapore 573943  
Phone: +65 6571 2808  
Fax: +65 6571 2699  
apr.securitysystems@bosch.com  
www.boschsecurity.asia

**China:**

Bosch (Shanghai) Security Systems Ltd.  
203 Building, No. 333 Fuquan Road  
North IBP  
Changning District, Shanghai  
200335 China  
Phone +86 21 22181111  
Fax: +86 21 22182398  
www.boschsecurity.com.cn

**Latin America and Caribbean:**

Robert Bosch Ltda Security Systems Division  
Via Anhanguera, Km 98  
CEP 13065-900  
Campinas, Sao Paulo, Brazil  
Phone: +55 19 2103 2860  
Fax: +55 19 2103 2862  
latam.boschsecurity@bosch.com  
www.boschsecurity.com