



MIC400 Quick Start Guide



CAUTION: TO REDUCE THE RISK OF ELECTRICAL SHOCK, DISCONNECT POWER SUPPLY BEFORE OPENING THE POWER SUPPLY UNIT.
POWER DISCONNECT: POWER SUPPLY UNITS HAVE POWER SUPPLIED WHENEVER THE POWER CORD IS INSERTED INTO THE POWER SOURCE



WARNING: INSTALLATION SHOULD BE CARRIED OUT BY QUALIFIED PERSONNEL ONLY IN ACCORDANCE WITH THE APPLICABLE LOCAL CODES.
BOSCH SECURITY SYSTEM ACCEPTS NO LIABILITY FOR ANY DAMAGES OR LOSSES CAUSED DUE TO INCORRECT OR IMPROPER INSTALLATION.

Unit Mechanical mounting

The upright unit can be mounted either way up with the camera ball up or down. To get the picture the correct way up for installation with camera ball down rotate the camera tilt axis over by 180 degrees. Please refer to the MIC400 Manual for further details of configuring Image Flip and reversing the controls for IR unit and inverted units.

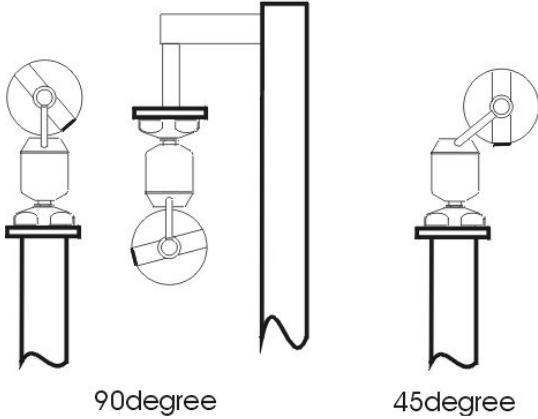
The MIC400, if canted is designed only to be mounted ball **up**, the tilt limits for the canted unit prevent it from working properly if mounted ball down, the MIC412 and MIC440 cannot be canted.



WARNING: DUE CAUTION SHOULD BE EXERCISED WHEN INSTALLING THE MIC400 RANGE OF CAMERAS, COMMON SENSE PRECAUTIONS SUCH AS FITTING A SAFETY CHAIN SHOULD BE FOLLOWED.
SPECIAL CARE SHOULD BE TAKEN WITH STAINLESS STEEL, MIC412 or MIC440 MODELS DUE TO THEIR EXTRA WEIGHT.



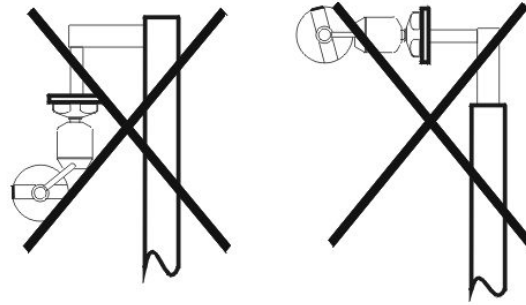
CORRECT



90degree

45degree

WRONG!



Do not manually back drive the pan or tilt axis by hand. Back driving may strip teeth off the internal gears and in so doing will void the warranty.

M8 Stainless steel nuts, bolts and washers should be used to secure the base to the mounting surface. Suitable sealant or a gasket should be used between the camera base and the mounting surface.

Ensure that the 12 pin connector is located into the camera base plug and that the lock ring is tightened. Ensure that the base compartment containing the 12 way connector is moisture proof. On inverted units it is very important that the connector area is water tight to prevent water pooling around the connector.

The Mic400 series of PTZ cameras comes with a security attachment point as standard. This should be attached to a safety chain which in turn should be attached to a secure part of the structure.

Earthing the camera

The camera and camera housing are electrically isolated so the housing should be safety earthed regardless. This safety earth should be a bonding connection to the camera's outside case. E.g. one of the securing screws used for bolting the camera down.

The camera should be earthed at one point only to prevent earth loops and thus hum bars appearing on the camera picture in the control room.

Connections between the MIC400 and the MIC-PSU using the MIC Composite Cable:

Note: all connections must be made

MIC400 Composite Cable Wire Colour	Function	PSU Terminal Connector	PSU Terminal ID marking
Red	15v AC supply	HD3-1	Power
Green	15v AC supply return	HD3-2	Power
White	Camera Rx B	HD3-3	RxB
Yellow	Camera Rx A	HD3-4	RxA
Drain Wire	Gnd	HD3-5	GND
Blue	Camera Tx A	HD3-6	TxA
Violet	Camera Tx B	HD3-7	TxB
Coax Core	Video	HD3-8	Video
Coax Screen	Video Return	HD3-9	Vid 0v

Black	Tamper Switch	HD3-10	Tamp Sw
Orange	Wash	HD3-11	Wash
Grey	0v Tamper Switch.	HD6-1	
Brown	0v Wash	HD6-2	
IR lamp, Heater or Speaker Option			
Grey	IR Lamp + or Speaker + or Heater +	HD6-1	IR +
Brown	IR Lamp- or Speaker - or Heater -	HD6-2	IR -

External Connections to the Power Supply Unit

TELEMETRY		
Signal Function	Telemetry Signal Name	HD4 or HD5
RS485 + to camera	RXB	Pin 1
RS485 – to camera	RXA	Pin 2
0v from control room.	GND	Pin 3
RS485 – to control room.	TXA	Pin 4
RS485 + to control room.	TXB	Pin 5

MAINS	
Live	HD1-1
Neutral	HD1-2
Earth	HD1-3

VIDEO	
Video BNC CN1	Connection
Core	Video to Control Room
Screen	Video GND to Control Room

Please Note:

Cameras are supplied set to address 1, to change the address and configure the camera you will require the Universal CamSet program and a PC with a serial port and an RS232 to RS485/RS422 adaptor. A PC without a serial port can use the MIC-USB485 CVTR to connect to the MIC-PSU instead.