

Safety

Danger!

Electricity



Injuries due to electricity are possible. Switch off all electricity while installing the product.

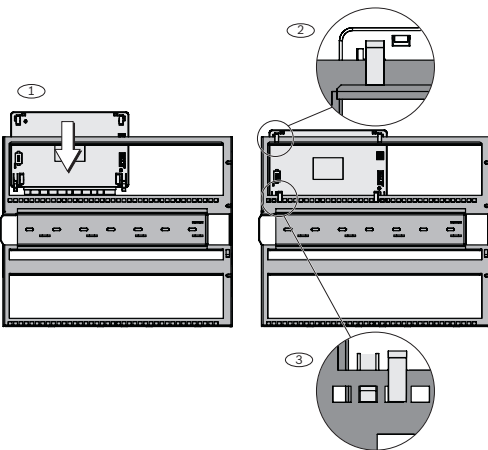
Do not open or modify this product, except if described in this manual.

Old electrical and electronic appliances

Electrical or electronic devices that are no longer serviceable must be collected separately and sent for environmentally compatible recycling (in accordance with the European Waste Electrical and Electronic Equipment Directive).

To dispose of old electrical or electronic devices, you should use the return and collection systems put in place in the country concerned.

Sliding the module onto the hinged mounting plate



Connection

1. Connect the cable of the external Bosch Data Bus to one of the two connectors (BDB) on the back of the module.

Short information

Optional hardware device splitting one Bosch Data Bus (BDB) into two independent and isolated stubs to connect keypads, gateways and further power supplies.

System overview

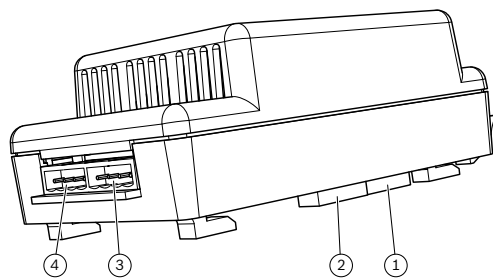


Fig. 1: System overview

1	Bosch Data Bus connector (BDB)
2	Bosch Data Bus connector (BDB)
3	Bosch Data Bus connector A (BDB A)

2. Connect the cable of stub 1 to the connector BDB A on top of the module.
3. Connect the cable of stub 2 to the connector BDB B on top of the module.

Maintenance

Maintenance and inspection work must be carried out at defined intervals and by corresponding expert personnel. The regulations of DIN VDE 0833 apply additionally for all work of this kind.

Notice!

Have maintenance and inspection work carried out regularly by trained expert personnel. Bosch Sicherheitssysteme GmbH recommends performing a functional and visual inspection at least once annually.



4	Bosch Data Bus connector B (BDB B)
---	------------------------------------

LED overview

LED status	Pattern	Description
Green, permanently lit	-----	Normal operation
Green, fast blinking	-----	Connection setup
Yellow, slow blinking	-----	Error on BDB A, failure of power or data, short circuit
Yellow, long and short pulse	-----	Error on BDB B, failure of power or data, short circuit
Yellow, permanently lit	-----	Error on BDB A and BDB B, CAN splitter fault

Installation

The mounting location of the module is on the hinged mounting plate.

Danger!

Danger of electric shock if live parts are touched. For your safety, you should switch off the power supply to the security system when carrying out maintenance or installation work!



Decommissioning

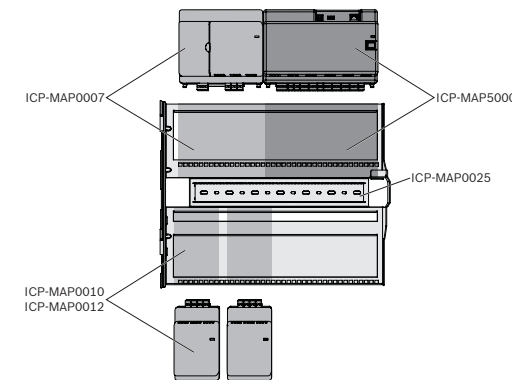
Old electrical and electronic appliances

Electrical or electronic devices that are no longer serviceable must be collected separately and sent for environmentally compatible recycling (in accordance with the European Waste Electrical and Electronic Equipment Directive).

To dispose of old electrical or electronic devices, you should use the return and collection systems put in place in the country concerned.

The following graphic shows an overview of the hinged mounting plate and the designated mounting locations of the modules.

Hinged mounting plate overview



1. Slide the module onto the hinged mounting plate.
2. Ensure that the locking clips snap into a pair of rectangular openings on the bottom rail.

Technical data

Electrical

Minimum operating voltage in VDC	16
Maximum operating voltage in VDC	29
Rated voltage in VDC	28
Rated current in mA	50
Maximum output current in mA per stub	900

Mechanical

Dimension in cm (H x W x D)	15,9 x 8,3 x 6,4
Weight in g	168
Housing material	ABS plastic
Color	off-white

Environmental

Minimum operating temperature in °C	-10
Maximum operating temperature in °C	55
Minimum storage temperature in °C	-20
Maximum storage temperature in °C	60
Minimum relative humidity in %	5
Maximum relative humidity in %	95
Usage	indoor
Protection class	IP30
Security level	IK04
Environmental class	II

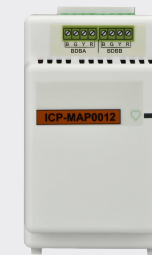
Third Party License Statement

Copyright (C) 2010-2014 ARM Limited. All rights reserved.

Redistribution and use in source and binary forms, with or without modification, are permitted provided that the following conditions are met:

- Redistributions of source code must retain the above copyright notice, this list of conditions and the following disclaimer.
- Redistributions in binary form must reproduce the above copyright notice, this list of conditions and the following disclaimer in the documentation and/or other materials provided with the distribution.
- Neither the name of ARM LIMITED nor the names of its contributors may be used to endorse or promote products derived from this software without specific prior written permission.

THIS SOFTWARE IS PROVIDED BY THE COPYRIGHT HOLDERS AND CONTRIBUTORS "AS IS" AND ANY EXPRESS OR IMPLIED WARRANTIES, INCLUDING, BUT NOT LIMITED TO, THE IMPLIED WARRANTIES OF MERCHANTABILITY AND FITNESS FOR A PARTICULAR PURPOSE ARE DISCLAIMED. IN NO EVENT SHALL THE COPYRIGHT OWNER OR CONTRIBUTORS BE LIABLE FOR ANY DIRECT, INDIRECT, INCIDENTAL, SPECIAL, EXEMPLARY, OR CONSEQUENTIAL DAMAGES (INCLUDING, BUT NOT LIMITED TO, PROCUREMENT OF SUBSTITUTE GOODS OR SERVICES; LOSS OF USE, DATA, OR PROFITS; OR BUSINESS INTERRUPTION) HOWEVER CAUSED AND ON ANY THEORY OF LIABILITY, WHETHER IN CONTRACT, STRICT LIABILITY, OR TORT (INCLUDING NEGLIGENCE OR OTHERWISE) ARISING IN ANY WAY OUT OF THE USE OF THIS SOFTWARE, EVEN IF ADVISED OF THE POSSIBILITY OF SUCH DAMAGE.



ICP-MAP0012 CAN-splitter module

ICP-MAP0012



en Quick Installation Guide



Bosch Sicherheitssysteme GmbH

Robert-Bosch-Ring 5
85630 Grasbrunn
Germany

www.boschsecurity.com

© Bosch Sicherheitssysteme GmbH, 2018