

AUTODOME 700 Series IP PTZ Camera

www.boschsecurity.com



BOSCH

Invented for life



- ▶ Choice of 36x or 28x day/night cameras with 12x digital zoom and wide dynamic range
- ▶ Intelligent Tracking automatically detects and tracks an object in motion
- ▶ Progressive scan provides smooth and clear images when viewing details in a moving image
- ▶ Sodium Vapor White Balance mode restores objects to their original color
- ▶ Quad video streaming generates simultaneous H.264 and M-JPEG video streams

The AutoDome 700 Series is an easy to install, indoor/outdoor IP PTZ camera with superb video quality. This discrete, high-speed dome camera features day/night functionality for quality images in low light conditions. The AutoDome 700 Series provides direct network connection using H.264 and M-JPEG compression and bandwidth throttling to efficiently manage bandwidth and storage requirements while delivering outstanding image quality. The AutoDome 700 Series provides complete network-based control of all dome functionality including pan/tilt/zoom operation, presets, tours, alarms, as well as web-based configuration of all dome settings.

The AutoDome 700 Series conforms to the ONVIF (Open Network Video Interface Forum) specifications. ONVIF conformance guarantees interoperability between the AutoDome and network video products regardless of manufacturer.

AutoDome 700 Series highlights

The AutoDome 700 Series delivers state-of-the-art technology and features that far exceed other PTZ cameras. The cameras achieve a high horizontal resolution enabling the reproduction of clear and detailed images. The cameras feature, progressive

scan technology, wide dynamic range, and sodium vapor lamp white balance ensuring clear image detail from extreme lighting environments.

Intelligent Tracking

The AUTODOME utilizes the built-in Intelligent Video Analytics (IVA) to continuously follow an individual or an object. The AUTODOME uses objects detected by IVA in a stationary position to activate the Intelligent Tracking feature. Intelligent Tracking controls the pan/tilt/zoom actions of the camera to keep the selected object in the scene.

The Intelligent Tracking feature shows its real intelligence when an actively tracked object is lost. Other cameras simply give up when a tracked object stops moving or is momentarily concealed by a stationary object. Intelligent Tracking uses an advanced algorithm that continuously scans the scene for a lost object and resumes tracking when the object reappears or if the camera detects motion along the same trajectory.

Wide Dynamic Range

The AUTODOME features Wide Dynamic Range (WDR) technology that allows for the capture of clear images from both bright and dark areas in the same frame. WDR ensures that bright areas are not saturated and that dark areas are not too dark.

Progressive scan

The AutoDome camera is ideally suited for IP imaging applications. The progressive scan technology incorporated into the camera provides smooth and clear images when viewing images from a moving camera.

Sodium vapor lamp white balance

The AutoDome is an exceptional performer when shooting under a sodium vapor lamp (a street lamp or tunnel lamp, for example). Images under these conditions may have a yellowish tint, which may make identification difficult. In the Sodium Vapor White Balance mode, the AutoDome automatically compensates for the light from a sodium vapor lamp to restore objects to their original color.

Integration and installation

The AutoDome 700 Series maximizes your security investment by integrating with Bosch video storage products, as well as the full range of Bosch video over IP products.

And, the AutoDome 700 Series is simple to install and use. The pendant housing comes with a sunshield for outdoor applications. This sunshield can be easily removed for indoor environments. Bosch offers a full complement of hardware (as a separate purchase) for wall, corner, mast, roof, pipe, and in-ceiling mount applications for indoor and outdoor environments.

System overview

High-performance PTZ day/night camera

The AutoDome 700 Series camera has a 1/4-in. CCD sensor, with 4CIF/D1 resolution and sensitivity to below 1.0 lux and is available with a choice of 28x and the industry-leading 36x optical zoom lens, and all 700 Series cameras offer a full 12x digital zoom. Both camera options provide D1 horizontal resolution for outstanding clarity and image detail. The cameras also incorporate technology that dramatically improves the dynamic range by 128 times. Also known as WDR (wide-dynamic range), it results in clear image reproduction in extreme high-contrast environments. Day/night capabilities and outstanding sensitivity make AutoDome 700 Series cameras exceptional performers in all lighting conditions. In low light, these cameras automatically switch from color to monochrome by removing the IR filter to boost the infrared illumination sensitivity, while maintaining superior image quality. For operation in the darkest conditions, the SensUp control feature automatically reduces the shutter speed to as little as one second. This increases sensitivity by more than 50 times.

Accurate control and positioning

The AUTODOME supports 256 pre-positions and two styles of Guard Tours: Preset and Record/Playback. The preset standard tour is capable of storing 256 sequential pre-positions with a configurable dwell time between pre-positions. The AUTODOME Series also provides support for two recorded tours, which have a

combined duration of 30 minutes of movements. These are recorded macros of an operator's movements, including pan, tilt, and zoom activities, and can be played back with the click of a button. Pan and tilt preset repeatability are accurate to within ± 0.1 degrees to ensure that the correct scene is captured every time. The AutoDome 700 Series delivers variable pan/tilt speeds from a crawl speed of only 0.1 degrees per second up to an ultra-quick 120 degrees per second. The dome is capable of pan speeds of 360 degrees per second and tilt speeds of 100 degrees per second between prepositions. The AutoDome 700 Series provides a tilt range of 0 to 94 degrees, and a pan range of up to 360 degrees continuous rotation.

The AutoScaling (proportional zoom) and AutoPivot (automatically rotates and flips the camera) features ensure optimal control.

Ultra-efficient H.264 encoding

The AutoDome 700 Series uses an advanced H.264 encoder to create DVD-quality streaming video at ultra-low bit rates. Use of H.264 encoding, bandwidth throttling, and multicasting capabilities, minimizes bandwidth and storage usage to significantly reduce costs.

Multiple video streams

The cameras use H.264 (Main Profile) compression, bandwidth throttling, and multicasting capabilities to manage bandwidth and storage requirements efficiently, while delivering high image quality and resolution.

Bosch's innovative quad-streaming feature enables AutoDome 700 Series cameras to generate two independent H.264 streams, an I-frame recording stream, and an M-JPEG stream simultaneously. This flexibility allows streaming of high-quality H.264 images for live viewing and recording while streaming M-JPEG images to another device at the same time. The M-JPEG video stream also provides easy integration with third-party JPEG or M-JPEG-compatible video management systems.

AutoDome 700 Series cameras offer unparalleled recording options. Attached to the network, they can use iSCSI targets directly without needing any recording software. The recording management capabilities of the system can be further enhanced by using the Bosch Video Recording Manager (VRM).

ONVIF conformant

The AUTODOME Series conforms to the ONVIF (Open Network Video Interface Forum) specification providing interoperability between network video products regardless of manufacturer. ONVIF conformant devices are able to exchange live video, audio, metadata and control information and ensure that they are automatically discovered and connected to network applications such as video management systems.

Intelligence

With built-in video content analysis, the AUTODOME reinforces the Intelligence-at-the-Edge concept where edge devices become increasingly intelligent. The AUTODOME comes with Bosch's Intelligent Video Analysis (IVA) built-in. IVA is state-of-the-art intelligent video analysis that reliably detects, and analyzes moving objects while suppressing unwanted alarms from spurious sources in the image. The IVA functionality built into the AUTODOME is able to detect idle and removed objects as well as loitering, multiple line crossing, and trajectories. IVA also supports BEV (Bird's Eye View) People counting. Assisted Self Calibration and configurable detection filters improve reliability and reduce operator work load.

Advanced networking capabilities

The AUTODOME offers advanced capabilities so you can configure the camera to take advantage of the latest networking technology. The AUTODOME offers Quality of Service (QoS) configuration options to ensure fast network response to PTZ data and images. Quality of Service (QoS) is the set of techniques to manage network resources. QoS manages the delay, delay variation (jitter), bandwidth, and packet loss parameters to guarantee the ability of a network to deliver predictable results. QoS identifies the type of data in a data packet and divides the packets into traffic classes that can be prioritized for forwarding. The AUTODOME also supports the IPv6 internet-layer protocol for packet-switched internetworking across multiple IP networks. IPv6 uses 128-bit addresses (IPv4 uses 32-bit addressing), which allows for many more devices and users on the internet as well as extra flexibility in allocating addresses and efficiency for routing traffic.

Fiber Optic Kit

Bosch offers the optional VG4-SFPSCKT, a unique media converter module for use with AUTODOME cameras. This media converter module is designed to accept a wide-range of 10/100 Mbps SFP modules for use with Multimode or Singlemode optical fiber with LC or SC connectors. The media converter module along with the SFP module is user-installed directly into the camera's power supply box to provide an integrated fiber optic solution.

Ease of installation and servicing

The AutoDome 700 Series has been designed for quick and easy installation; a key feature from Bosch CCTV products. All housings feature recessed screws and latches for increased tamper resistance. AutoDome in-ceiling housings provide IP54 protection (with an optional gasket kit) and are rated IK 8 (IEC 62262). These housings feature an impact-resistant polycarbonate rugged bubble to protect your

camera from vandalism. The rugged bubble can withstand impacts equivalent to a 4.5 kg (10 lb) weight dropped from a height of 3 m (10 ft). Outdoor Pendant housings are rated to provide IP 66 protection and are offers an operating temperature range down to -40°C (-40°F). The outdoor pendant comes fully assembled with a sunshield and ready for wall or pipe applications with the proper mounting hardware (purchased separately). In addition, the pendant housing comes equipped with a low-impact, high-resolution acrylic bubble for enhanced image clarity. You can easily convert the outdoor pendant for indoor applications by removing the sunshield.

Note: Bosch offers a full complement of hardware and accessories (as a separate purchase) for corner, mast, roof, pipe, and in-ceiling applications, which allow the AutoDome to be easily adapted to individual site requirements.

Unsurpassed reliability

As with all Bosch products, the AUTODOME Series has been subjected to the industry's most comprehensive and demanding battery of endurance tests such as HALT (highly accelerated life testing) to make sure it will hold up through years of use. And of course, it comes with Bosch's industry-leading 3-year warranty.

Functions

The following are some of the features that make the AutoDome 700 Series the perfect fit for a variety of surveillance applications.

Inputs and outputs

The AUTODOME Series can handle two (2) alarm inputs and one (1) open-collector alarm output, which can drive an external device.

iSCSI device support

Built-in iSCSI support allows the AUTODOME Series to stream video directly to an iSCSI RAID array. This enables efficient video storage and overall system scalability without compromise to recording performance when paired with suitable iSCSI storage arrays.

Network-based control and configuration

The AUTODOME Series enables full camera control and configuration capabilities over the network. Operators or technicians can control camera pan/tilt/zoom operation, presets, tours, and alarm management functions virtually anywhere without need for additional wiring. The embedded web server lets the installer access all the user settings, make camera adjustments, and update firmware via a standard web browser.

Device management

Simple Network Management Protocol (SNMP) support facilitates the remote monitoring and management. The AUTODOME Series provides full support for SNMP v3.

Superior privacy masking

The AutoDome 700 Series provides 24 individual, easy to configure privacy masks, with up to 24 displayed in the same scene. As the camera is zoomed each mask changes size smoothly and quickly ensuring that the covered object cannot be seen.

Unsurpassed flexibility

There are many ways to access the camera's video: on a PC using a web browser, with the Bosch Video Management System (VMS), or with the Bosch Video Client.

Easy upgrade

Remotely upgrade the camera whenever new firmware becomes available. This ensures up-to-date products, thus protecting investment with little effort.

Access security

Various security levels are available for accessing the network, the camera, and the data channels. As well as password protection with three levels, 802.1x authentication using a RADIUS (Remote Authentication Dial In User Service) server is supported. To secure Web browser access, use HTTPS with a SSL certificate stored in the camera. For total data protection, the video and audio communication channels can be independently AES encrypted with 128-bit keys by installing the optional encryption site license.

Certifications and approvals

Electromagnetic Compatibility (EMC)	Complies with FCC Part 15, ICES-003, and CE regulations, including EN50130-4 and EN50121-4
Product Safety	Complies with CE regulations, UL, CSA, EN, and IEC Standards
Environmental	In-ceiling: IP54 (with optional VGA-IP54K-IC78 kit), Plenum rated Pendant: IP66

Parts included**In-ceiling**

1	Fully-assembled in-ceiling housing
1	Polycarbonate bubble, clear
1	Interface box

Outdoor Pendant

1	Fully-assembled outdoor pendant housing with sunshield
1	Acrylic bubble, clear

Notes:

- The pendant can be converted to an indoor pendant by removing the sunshield.
- Mounting hardware and accessories are available separately.

Technical specifications**Camera 36x Day/Night**

Imager	1/4 in.-type Exview HAD CCD (progressive scan)	
Effective Picture Elements	PAL: Approx. 440,000; 752(H) x 582(V) NTSC: Approx. 380,000; 768 (H) x 494 (V)	
Lens	36x Zoom (3.4–122.4 mm) F1.6 to F4.5	
Zoom Movement Speed	NTSC	PAL
• Optical WIDE / Optical TELE – Focus Tracking ON	4.0 sec.	4.0 sec.
• Optical WIDE / Optical TELE – Focus Tracking OFF	2.7 sec.	2.7 sec.
• Optical WIDE / Digital TELE	6.0 sec.	6.2 sec.
• Digital WIDE / Digital TELE	2.1 sec.	2.3 sec.
Focus	Automatic with manual override	
Iris	Automatic with manual override	
Optical Zoom Field of View	1.7° to 57.8°	
Gain Control	Auto/Manual/Max. (–3 dB to 28 dB, 2 dB steps)	
Synchronization	Line-Lock (–120° to 120° vertical phase adjust) or internal crystal	
Aperture Correction	Horizontal and vertical	
Digital Zoom	12x	
Sensitivity (typical) ¹	30 IRE	50 IRE
Day Mode		
SensUp Off	0.66 lux (0.061 fc)	1.4 lux (0.13 fc)
SensUp On (NTSC: 1/4s, 15X; PAL 1/3s, 16.7X)	0.04 lux (0.0037 fc)	0.1 lux (0.0092 fc)
Night Mode		
SensUp Off	0.104 lux (0.0097 fc)	0.209 lux (0.0194 fc)
SensUp On (NTSC: 1/4s, 15X; PAL 1/3s, 16.7X)	0.0052 lux (0.0005 fc)	0.0103 lux (0.001 fc)
Electronic Shutter Speed	1/1 to 1/10,000 sec., 22 steps	
Wide Dynamic Range (WDR)	92 dB (50 dB with WDR Off)	
Signal-to-Noise Ratio (SNR)	>50 dB	

White Balance	2000 K to 10,000 K
---------------	--------------------

1. Unless otherwise stated, test conditions are: F1.6; shutter = NTSC 1/60s, PAL 1/50s; max AGC; no bubble. Clear bubble adds 0.09 f-stop loss (90% light transmission). Tinted bubble adds 0.47 f-stop loss (60% light transmission).

Camera 28x Day/Night

Imager	1/4 in.-type Exview HAD CCD (progressive scan)
Effective Picture Elements	PAL: Approx. 440,000; 752(H) x 582(V) NTSC: Approx. 380,000; 768 (H) x 494 (V)
Lens	28x Zoom (3.5–98.0 mm) F1.35 to F3.7

Zoom Movement Speed	NTSC	PAL
• Optical WIDE / Optical TELE – Focus Tracking ON	2.5 sec.	2.5 sec
• Optical WIDE / Optical TELE – Focus Tracking OFF	1.7 sec.	1.7 sec.
• Optical WIDE / Digital TELE – Focus Tracking ON	4.5 sec.	4.9 sec.
• Optical WIDE / Digital TELE – Focus Tracking OFF	1.7 sec.	1.7 sec.
• Digital WIDE / Digital TELE	2.0 sec.	2.5 sec.

Focus	Automatic with manual override
Iris	Automatic with manual override
Optical Zoom Field of View	2.1° to 55.8°
Gain Control	Auto/Manual/Max. (–3 dB to 28 dB, 2 dB steps)
Synchronization	Line-Lock (–120° to 120° vertical phase adjust) or internal crystal
Aperture Correction	Horizontal and vertical
Digital Zoom	12x

Sensitivity (typical) ²	30 IRE	50 IRE
Day Mode		
SensUp Off	0.33 lux (0.031 fc)	0.66 lux (0.061)
SensUp On (NTSC: 1/4s, 15X; PAL 1/3s, 16.7X)	0.02 lux (.002 fc)	0.04 lux (.004 fc)
Night Mode		
SensUp Off	0.066 lux (0.006 fc)	0.166 lux

SensUp On (NTSC: 1/4s, 15X; PAL 1/3s, 16.7X)	0.0026 lux	0.0082 lux
---	------------	------------

Electronic Shutter Speed	1/1 to 1/10,000 sec., 22 steps
Wide Dynamic Range (WDR)	92 dB (50 dB with WDR Off)
Signal-to-Noise Ratio	>50 dB
White Balance	2000 K to 10,000 K

2. Unless otherwise stated, test conditions are: F1.6; shutter = NTSC 1/60s, PAL 1/50s; max AGC; no bubble. Clear bubble adds 0.09 f-stop loss (90% light transmission). Tinted bubble adds 0.47 f-stop loss (60% light transmission).

Mechanical

	In-Ceiling	Pendant
Pan Range	360° cont.	360° cont.
Tilt Angle	1° above horizon	18° above horizon
Variable Speed	0.1°/s-120°/s	0.1°/s-120°/s
Pre-position Speed	Pan: 360°/s Tilt: 100°/s	Pan: 360°/s Tilt: 100°/s
Preset Accuracy	± 0.1° typ.	± 0.1° typ.

Electrical

	In-Ceiling	Pendant
Input Voltage	21-30 VAC 50/60 Hz	21-30 VAC 50/60 Hz
Power Consumption, typical	24 W / 44 VA	60 W / 69 VA or 24 W / 44 VA ³

3. Without heater connected in power supply box for indoor applications.

Surge Suppression

Protection on Video	Peak current 10 kA (Gas Tube Arrester)
Protection on Biphase	Peak current 10 A, peak power 300 W (8/20 μs)
Protection on RS-232/485	ESD protection ±15 KV human body model
Protection on Alarm Inputs	Peak current 17 A, peak power 300 W (8/20 μs)
Protection on Alarm Outputs	Peak current 2 A, peak power 300 W (8/20 μs)
Protection on Relay Outputs	Peak current 7.3 A, peak power 600 W (10/1000 μs)
Protection on Power Input (Dome)	Peak current 7.3 A, peak power 600 W (10/1000 μs)

Protection on Power Output (Arm Power Supply)	Peak current 21.4 A, peak power 1500 W (10/1000 µs)
10/100 Ethernet Data Lines	Peak current 14 A, peak power 200 W (8/20 µs)

Software Control

Camera Setup/Control	Via Internet Explorer Web browser version 7.0 or later, Bosch Configuration Manager or BVMS
Software Update	Firmware upload

Network

Standards	H.264 (ISO/IEC 14496-10), M-JPEG, JPEG
Streaming	A total of four (4) independent streams: <ul style="list-style-type: none"> Two (2) individually configurable H.264 streams at 4CIF/D1 resolution, One (1) H.264, I-frame only stream (suitable for recording) One (1) M-JPEG stream at 4CIF/D1 resolution
GOP Structure	IP, IBP, IBBP
Data Rate	9.6 kbps to 6 Mbps
Overall IP Delay	240 ms

Resolution (Horizontal x Vertical, PAL/NTSC)

• 4CIF/D1	704 x 576/480 (50/60 ips ⁴)
• CIF	352 x 288/240 (50/60 ips ⁴)
	4. Depending on picture content and movement

Ethernet	10-Base T/100 Base-TX, auto-sensing, half/full duplex, RJ45
Protocols	RTP, Telnet, UDP, TCP, IP, HTTP, HTTPS, FTP, DHCP, IGMP V2/V3, ICMP, ARP, SMTP, SNMP v3, RTSP, 802.1x, iSCSI, DynDNS, UPnP, IP v4/6, QoS, SSH, SSL
Audio	
• Standard	G.711, 8 kHz sampling rate L16, 16 kHz sampling rate
• Signal-to-Noise Ratio	>50 dB
• Audio Streaming	Full Duplex / Half Duplex

Fiber Optic Kit

VG4-SFPSCKT

Description	Fiber Optic Ethernet Media Converter kit ⁵ . Requires a small form-factor pluggable (SFP) module (sold separately).
Data Interface	Ethernet
Data Rate	10/100 Mbps IEEE 802.3 Compliant

	Full Duplex or Half Duplex Electrical Port Full Duplex Optical Port
Compatible Receiver	CNFE2MC
Installation	Installed inside a VG4-A-PA0, VG4-A-PA1, VG4-A-PA2, VG4-A-PSU1, or a VG4-A-PSU2 power supply box with supplied mounting hardware

5. Kit available separately and must be installed inside the AutoDome power supply box.

SFP Modules

Description	Interchangeable modules available for use with MMF or SMF optical fiber.
Data Interface	Ethernet
Data Rate	10/100 Mbps IEEE 802.3 Compliant
Mechanical	
Dimensions (LxWxH)	
• SFP-2 and SFP-3	55.5 x 13.5 x 8.5 mm (2.2 x 0.5 x 0.3 in.)
• SFP-25, SFP-26	63.8 x 13.5 x 8.5 mm (2.5 x 0.5 x 0.3 in.)
Weight (all SFP modules)	0.23 kg (.05 lb)

	Type	Connector	Wavelength (transmit/receive)	Max. Distance
SFP-2	MMF	Duplex LC	1310 nm / 1310 nm	2 km (1.2 miles)
SFP-3	SMF	Duplex LC	1310 nm / 1310 nm	20 km (12.4 miles)
SFP-25	MMF	Single SC	1310 nm / 1550 nm	2 km (1.2 miles)
SFP-26	MMF	Single SC	1550 nm / 1310 nm	2 km (1.2 miles)

Fiber Compatibility

Optical Fiber Compatibility, MMF	50/125 µm MMF. For 50/125 µm fiber, subtract 4 dB from the specified optical budget value. Must meet or exceed fiber standard ITU-T G.651.
Optical Fiber Compatibility, SMF	8–10/125 µm SMF. Must meet or exceed fiber standard ITU-T G.652.
Optical Distance Specifications	Specified transmission distances are limited to the optical loss of the fiber and any additional loss introduced by connectors, splices, and patch panels. The modules are designed to operate over the entire optical loss budget range, so they do not require a minimum loss in order to operate.

Miscellaneous

Sectors/Titling	16 independent sectors with a 20-character title/sector
Masking	24 individually configurable privacy masks

Pre-positions	99, each with a 20-character title
Guard Tours	Two (2) types of tours: <ul style="list-style-type: none"> Recorded tours – two (2), total duration 15 minutes Preset tour – one (1), consisting of up to 99 scenes, consecutively
Supported Languages	English, Chinese, Dutch, French, German, Italian, Japanese, Polish, Portuguese, and Spanish

User Connections

Power, Camera	21-30 VAC, 50/60 Hz
Power, Heater	21-30 VAC, 50/60 Hz
Video and Control	RJ-45 100 Base-TX Ethernet
Alarm Inputs (2)	Programmable for “normally open” or “normally closed”
Open Collector Output (1)	32 VDC @ 150 ma max.
Audio Input Line Level (one way audio)	
• Input Voltage	5.5 Vp-p max
• Impedance	9 Kohm typical

Environmental

	In-Ceiling	Pendant
Design Rating	IP54 ⁶ , Plenum rated	IP66 ⁸
Operating Temp.	-10°C to 40°C (14°F to 104°F)	-40°C to 50°C (-40°F to 122°F) or -10°C to 40°C (14°F to 104°F) ⁷
Storage Temp.	-40°C to 60°C (-40°F to 140°F)	-40°C to 60°C (-40°F to 140°F)
Humidity	0% to 90% relative, non-condensing	0% to 100% relative, condensing

6. With optional VGA-IP54K-IC78 kit.

7. Without heater connected in power supply box for indoor applications.

8. Meets requirements for NEMA 4X certification with use of a polycarbonate bubble. Meets requirements for NEMA 4X, except impact test, with use of an acrylic bubble.

Construction

Dimensions	See dimensional drawings
Weight	
• In-ceiling	2.66 kg (5.86 lb)
• Indoor Pendant	2.88 kg (6.3 lb)
• Outdoor Pendant	3.32 kg (7.3 lb)
Bubble Size	153.1 mm diameter (6.03 in.)

Construction Material	
• Housing	Cast aluminum
• Bubble	Pendant: Acrylic (high-resolution) In-ceiling: Polycarbonate (rugged)
Standard Color	White (RAL 9003)
Standard Finish	Powder coated, sand finish

Mounts/Accessories

Bubbles

In-ceiling

Clear rugged polycarbonate	VGA-BUBBLE-CCLR
Tinted rugged polycarbonate	VGA-BUBBLE-CTIR

Pendant

Clear rugged polycarbonate	VGA-BUBBLE-PCLR
Tinted rugged polycarbonate	VGA-BUBBLE-PTIR
Clear high-resolution acrylic	VGA-BUBBLE-PCLA
Tinted high-resolution acrylic	VGA-BUBBLE-PTIA

Pendant Arm Mounts

Wall Arm (No Transformer)	VG4-A-PA0
Wall Arm (120/230 VAC Transformer)	VG4-A-PA1 / VG4-A-PA2
Pendant Arm with Wiring	VGA-PEND-ARM
Mounting plate for VGA-PEND-ARM	VGA-PEND-WPLATE
Trim skirt for VG4 Series Power Supplies	VG4-A-TSKIRT

Optional Mounting Plates for Arm Mounts

Corner Mounting Plate	VG4-A-9542
Mast (Pole) Mounting Plate	VG4-A-9541

Pendant Pipe Mounts

Pipe Mount Cap	VG4-A-9543
----------------	------------

Pendant Roof Mounts

Roof (Parapet) Mount (VG4-A-9543 Pipe Mount Cap required. Available separately.)	VGA-ROOF-MOUNT
---	----------------

Optional Mounting Plates for Roof Mounts

Flat Roof Adapter for Parapet Mount	LTC 9230/01
-------------------------------------	-------------

In-ceiling Support Kits

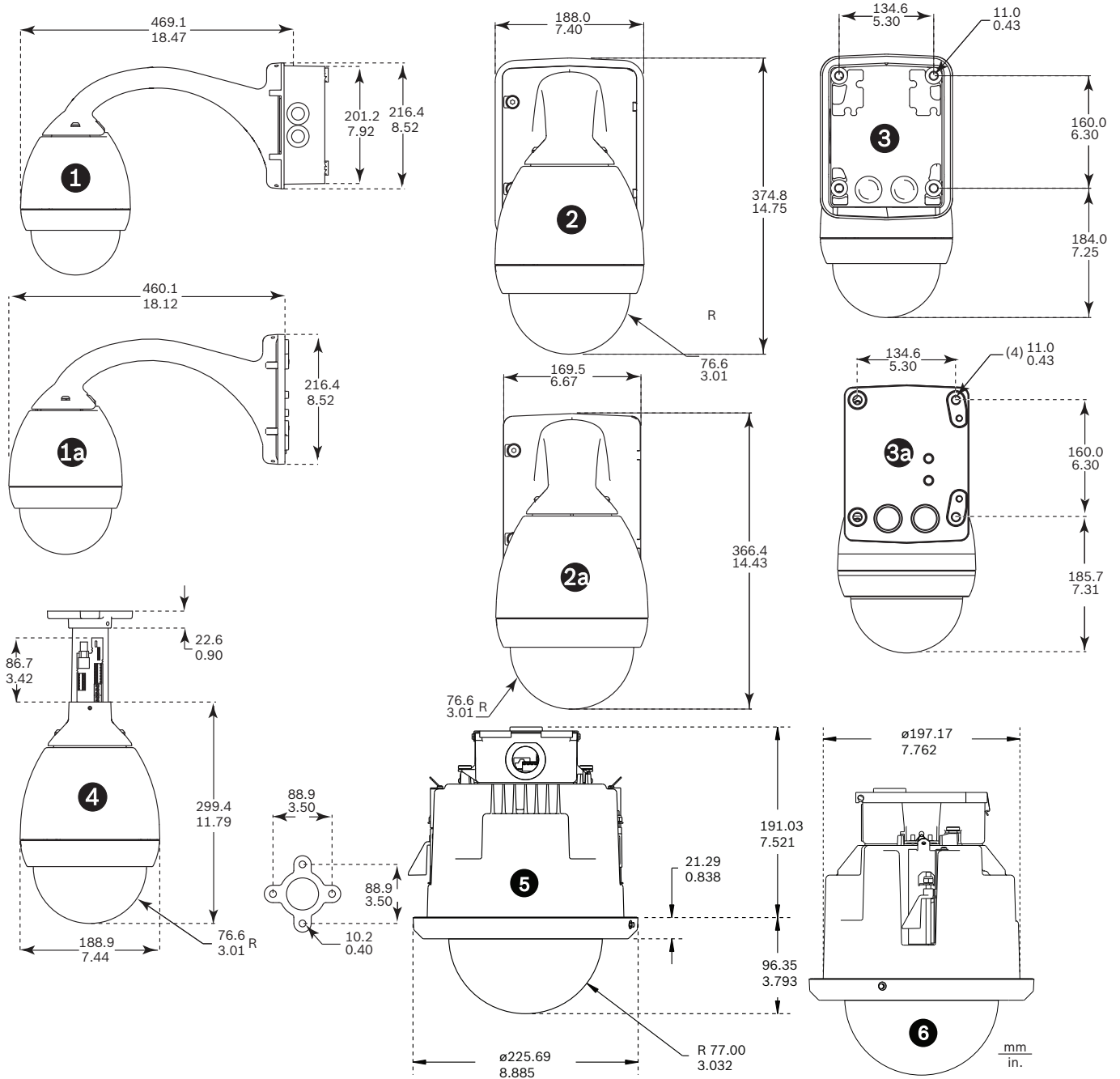
Bracket for suspended or drop ceilings	VJR-A3-SP
Gasket kit for IP54 certification	VGA-IP54K-IC78

Power Supplies

Outdoor Power Supply Box, no transformer	VG4-A-PSU0
--	------------

Outdoor Power Supply Box (120/230 VAC Transformer)	VG4-A-PSU1 / VG4-A-PSU2
Fiber Optic Kit	VG4-SFPSCKT

Dimensions: In-ceiling and Pendant without Sunshield



Indoor System Dimensions

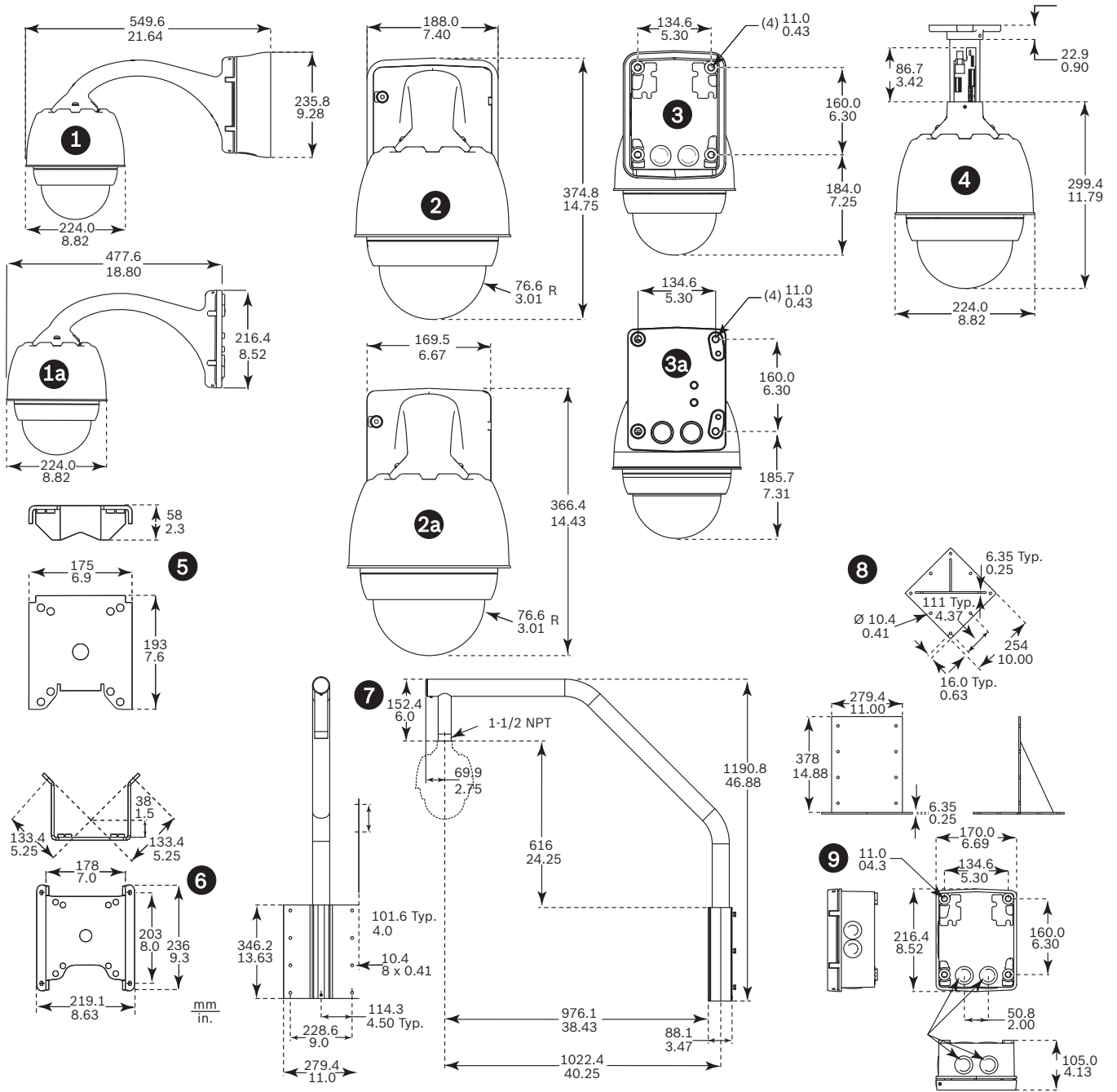
Reference Description

- 1 Wall Mount – Side with power supply
- 1a Wall/Mast Mount – Side with VGA-PEND-WPLATE
- 2 Wall Mount – Front with power supply and trim skirt

- 2a Wall Mount – Front with power supply
- 3 Wall Mount – Back with power supply and trim skirt
- 3a Wall Mount – Back with power supply
- 4 Pipe Mount

- 5 In-ceiling Mount – Front
- 6 In-ceiling Mount – Side

Dimensions: Pendant with Sunshield and Outdoor Mounts



Outdoor System Dimensions

Reference Description

- 1 Wall Mount – Side with power supply and trim skirt
- 1a Wall/Mast Mount – Side with VGA-PEND-WPLATE
- 2 Wall Mount – Front with power supply and trim skirt
- 2a Wall Mount – Front with power supply

- 3 Wall Mount – Back with power supply and trim skirt
- 3a Wall Mount – Back with power supply
- 4 Pipe Mount
- 5 Mast Mount
- 6 Corner Mount
- 7 Roof Mount

8	Roof Mount Adapter
9	Power Supply for Pipe and Roof Mounts

Ordering information

VG5-713-CCE2 AUTODOME 700 Series 28x PAL IP In-ceiling Camera

IP 28x PAL camera with IVA, in-ceiling housing with a clear polycarbonate bubble
Order number **VG5-713-CCE2**

VG5-723-CCE2 AUTODOME 700 Series 28x NTSC IP In-ceiling Camera

IP 28x NTSC camera with IVA, in-ceiling housing with a clear polycarbonate bubble
Order number **VG5-723-CCE2**

VG5-713-ECE2 AUTODOME 700 Series 28x PAL IP Pendant Camera

IP 28x PAL camera with IVA, pendant housing with a clear acrylic bubble
Order number **VG5-713-ECE2**

VG5-714-ECE2 AUTODOME 700 Series 36x PAL IP Pendant Camera

IP 36x PAL camera with IVA, pendant housing with a clear acrylic bubble
Order number **VG5-714-ECE2**

VG5-723-ECE2 AUTODOME 700 Series 28x NTSC IP Pendant Camera

IP 28x NTSC camera with IVA, pendant housing with a clear acrylic bubble
Order number **VG5-723-ECE2**

VG5-724-ECE2 AUTODOME 700 Series 36x NTSC IP Pendant Camera

IP 36x NTSC camera with IVA, pendant housing with a clear acrylic bubble
Order number **VG5-724-ECE2**

Accessories

VG4-A-PA0 Pendant Arm Mount

Pendant arm mount with power supply box for a AutoDome Series cameras, no transformer, white
Order number **VG4-A-PA0**

VG4-A-PA1 Pendant Arm Mount with 120 VAC Transformer

Pendant arm mount with power supply box for AutoDome Series cameras with a 120 VAC transformer, white
Order number **VG4-A-PA1**

VG4-A-PA2 Pendant Arm Mount with 230 VAC Transformer

Pendant arm mount with power supply box for AutoDome Series cameras with a 230 VAC transformer, white
Order number **VG4-A-PA2**

VGA-PEND-ARM Pendant Arm with Wiring

Compatible with an AutoDome Series pendant housing
Order number **VGA-PEND-ARM**

VGA-PEND-WPLATE Mounting Plate

Mounting plate for VGA-PEND-ARM, compatible with an AutoDome Series camera
Order number **VGA-PEND-WPLATE**

VGA-ROOF-MOUNT Roof Mount

Roof parapet mount, white
(VG4-A-9543 Pipe Mount Cap required. Available separately.)
Order number **VGA-ROOF-MOUNT**

LTC 9230/01 Flat Roof Mount Adapter

For mounting a unit in an upright position on a flat surface for roof parapet mount VGA-ROOF-MOUNT
Order number **LTC 9230/01**

VG4-A-9541 Pole Mount Adapter

Pole mount adapter for an AUTODOME pendant arm or a DINION imager, designed for poles with a diameter of 100-380 mm (4-15 in.), white
Order number **VG4-A-9541**

VG4-A-9542 Corner Mount Adapter

Corner mount adapter for an AUTODOME pendant arm or a DINION imager
Order number **VG4-A-9542**

VG4-A-9543 Pipe Mount

Pipe mount, white, for an AutoDome Series pendant housing
Order number **VG4-A-9543**

VGA-IP54K-IC78 IP54 In-ceiling Gasket Kit for AutoDome 700/800 Series

Gasket kit for AutoDome 700 and 800 Series In-ceiling mounts required for IP54 environmental rating
Order number **VGA-IP54K-IC78**

VJR-A3-SP In-ceiling Support Kit for AutoDome 700/800 Series and AutoDome Junior HD

Suspended ceiling support kit for AutoDome 700 and 800 Series and AutoDome Junior HD In-ceiling mounts
Order number **VJR-A3-SP**

VG4-A-PSU0 24 VAC Power Supply Unit

24 VAC, 100 W, white, for an AutoDome Series camera
Order number **VG4-A-PSU0**

VG4-A-PSU1 120 VAC Power Supply Unit

120 VAC, 100 W, white, for an AutoDome Series camera
Order number **VG4-A-PSU1**

VG4-A-PSU2 230 VAC Power Supply Unit

230 VAC, 100 W, white, for an AutoDome Series camera
Order number **VG4-A-PSU2**

VGA-SBOX-COVER Cover for AutoDome Power Supply BoxesOrder number **VGA-SBOX-COVER****VG4-SFPSCKT Fiber Optic Ethernet Media Converter Kit**

Ethernet media converter video transmitter/data receiver fiber optic kit

Order number **VG4-SFPSCKT****VG4-A-TSKIRT Trim Skirt for AutoDome Power Supply Boxes**

Trim skirt for the following AutoDome Series power supply boxes:

VG4-A-PSU0, VG4-A-PSU1, and VG4-A-PSU2

Order number **VG4-A-TSKIRT****VGA-BUBBLE-CCLR Clear Rugged Bubble for an In-ceiling Housing**

Impact resistant polycarbonate bubble

Order number **VGA-BUBBLE-CCLR****VGA-BUBBLE-CTIR Tinted Rugged Bubble for an In-ceiling Housing**

Impact resistant polycarbonate bubble

Order number **VGA-BUBBLE-CTIR****VGA-BUBBLE-PCLR Clear Rugged Bubble for a Pendant Housing**

Impact resistant polycarbonate bubble

Order number **VGA-BUBBLE-PCLR****VGA-BUBBLE-PTIR Tinted Rugged Bubble for a Pendant Housing**

Impact resistant polycarbonate bubble

Order number **VGA-BUBBLE-PTIR****Software Options****BVIP AES 128 Bit Encryption**

One-time installation licence for BVIP AES 128-bit encryption site. Enables encrypted communication between BVIP devices and management stations.

Order number **MVS-FENC-AES****Represented by:****Americas:**

Bosch Security Systems, Inc.
130 Perinton Parkway
Fairport, New York, 14450, USA
Phone: +1 800 289 0096
Fax: +1 585 223 9180
security.sales@us.bosch.com
www.boschsecurity.us

Europe, Middle East, Africa:

Bosch Security Systems B.V.
P.O. Box 80002
5617 BA Eindhoven, The Netherlands
Phone: + 31 40 2577 284
Fax: +31 40 2577 330
emea.securitysystems@bosch.com
www.boschsecurity.com

Asia-Pacific:

Robert Bosch (SEA) Pte Ltd, Security Systems
11 Bishan Street 21
Singapore 573943
Phone: +65 6571 2808
Fax: +65 6571 2699
apr.securitysystems@bosch.com
www.boschsecurity.asia

China:

Bosch (Shanghai) Security Systems Ltd.
201 Building, No. 333 Fuquan Road
North IBP
Changning District, Shanghai
200335 China
Phone +86 21 22181111
Fax: +86 21 22182398
www.boschsecurity.com.cn

America Latina:

Robert Bosch Ltda Security Systems Division
Via Anhanguera, Km 98
CEP 13065-900
Campinas, Sao Paulo, Brazil
Phone: +55 19 2103 2860
Fax: +55 19 2103 2862
latam.boschsecurity@bosch.com
www.boschsecurity.com