



BOSCH

Alarm task script language

Version 6.60

Alarm Task Editor

```
//autogenerated boolengine script
//{{connect_start
//}}connect_end
//{{relais_start
//}}relais_end
//{{email_start
AlarmMail_mail:={IP("www.bosch.com")To("test@bosch.com")}
Layout (Standard) Camera (1) From ("Test")
Login ("anonymous") Password ("anonymous");
if (Input (1)) then mail;
//}}email_end
//{{ftp_start
//}}ftp_end
//{{dec_autoconnect_start
//}}dec_autoconnect_end
//checksum 56592de5dd718b06b6acd75e977e9ded
```

Examples

Set

en

Script language

Table of contents

1	Introduction	4
2	Definitions	5
2.1	Actions	5
2.2	Events and states	5
2.3	Alarm Task Engine	5
3	System integration	6
4	Configuration	7
5	Syntax	10
5.1	Action types	10
5.1.1	AlarmMail	10
5.1.2	JpegPosting	12
5.1.3	Recording	14
5.1.4	Connection	15
5.1.5	ConnectionList	17
5.1.6	RcpCommand	18
5.1.7	HttpCommand	19
5.1.8	VCAConfiguration	21
5.1.9	BicomCommand	21
5.1.10	ControlCode	22
5.1.11	MessageCheck	23
5.1.12	OperationMode	24
5.1.13	Timer	26
5.1.14	Stopping an action	27
5.2	State types	27
5.2.1	I/O states	27
5.2.2	Tamper states	29
5.2.3	Action states	30
5.3	Conditions	31
5.3.1	Boolean composition of conditions	31
5.3.2	State condition	32
5.3.3	State operation mode	32
5.3.4	Action condition	33
5.4	Comments	34
6	Starting the Alarm Task Engine	35
	Glossary	36

1 Introduction

The Alarm Task Engine is an extension of the alarm I/O (Input/Output) matrix. It supports the definition of actions, action timers, temporary states and I/O states. Furthermore, the Alarm Task Engine supports conditions when actions shall be triggered or states shall be set.

2 Definitions

2.1 Actions

Each device provides various actions. Actions could be sending of an alarm e-mail, JPEG posting, sending of RCP commands or connecting to another device and so on. With the script language it is possible to define and to configure the different actions and the according parameters like IP address or password and more.

2.2 Events and states

The script language provides the Boolean evaluation of various kinds of states. Each device has a different number of I/O states. These could be relays, alarm inputs, connection state and so on. Such states are either enabled or disabled. The number of I/O states depends on the particular device. Furthermore, there are states which depend on the particularly defined actions. With these states it is possible to query whether the execution of the action was successful or not. Another possibility is to query whether a particular connection is even active or not to a decoder or encoder. All I/O states and action states are distinguished between:

- Readable (R)
- Readable/Writable (R/W)
- Configurable (C)

R-state means, you can just query its current value. If you use R/W-states, you can change the value. C-states are used to set it to a different kind of operation mode like bistable, monostable or periodic.

An event is always created when the I/O state is changing. Consequently, the event has the temporal information about which state has changed from disabled to enabled or vice versa.

2.3 Alarm Task Engine

The Alarm Task Engine parses all events of the I/O Manager module and evaluates changes of the I/O states. The Alarm Task Engine receives the events from the I/O Manager and triggers the accordingly defined actions.

3 System integration

The following figure shows the architecture which is relevant for the Alarm Task Engine. The I/O Manager receives all types of events. Such events could be the changing of an alarm or an activated video input and so on. Furthermore, if the VCA Task Engine is running, it can create events, too. All these created events are fed into the I/O Manager. Consequently, the I/O Manager knows all I/O states and evaluates whether the state has been changed or not. Hence, it is guaranteed that the Alarm Task Engine is only running if a state has been changed.

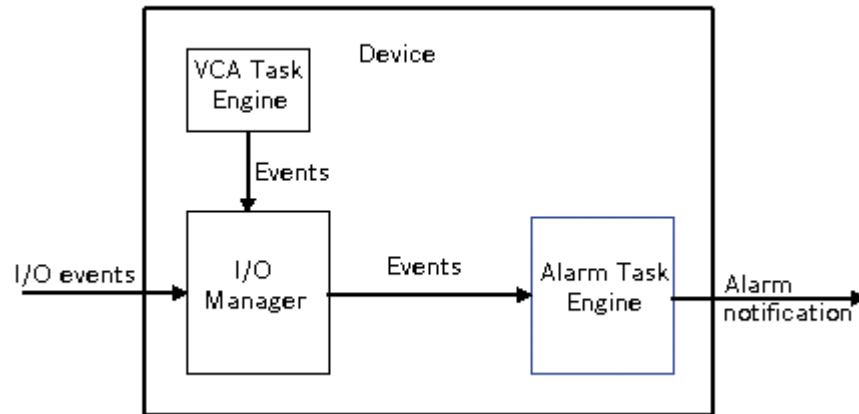


Figure 3.1: Alarm Task Engine architecture

4 Configuration

The Alarm Task Engine is configured by a script. There is the option to create scripts automatically or you can enter the script directly. The script is created automatically based on the \Settings.html browser page:

- **Alarm > Alarm Connections**
- **Alarm > Alarm E-Mail**
- **Network > Image Posting** (older firmware versions: **FTP Posting**)
- **Interfaces > Alarm Outputs** (older firmware versions: **Relay**)

If you configure these settings, the script is created and sent to the device automatically.

The script is shown in the editor on the \Settings.html browser page:

- **Alarm > Alarm Task Editor**

The following figure shows the user defined settings for sending an alarm e-mail.

Alarm E-Mail

Send alarm e-mail: On

Mail server IP address: www.bosch.com

SMTP user name: anonymous

SMTP password:

Format: Standard (with JPEG)

Image size: Small

Attach JPEG from camera:

VCA overlays:

Destination address: test@bosch.com

Sender address: Test

Test e-mail: Send Now

Set

Figure 4.1: Alarm E-Mail dialog box sample (design and parameters depend on the device and firmware version)

The following figure displays the automatically created script. You see in the script that an alarm e-mail will be sent to the entered mail server IP address if an alarm input is activated.

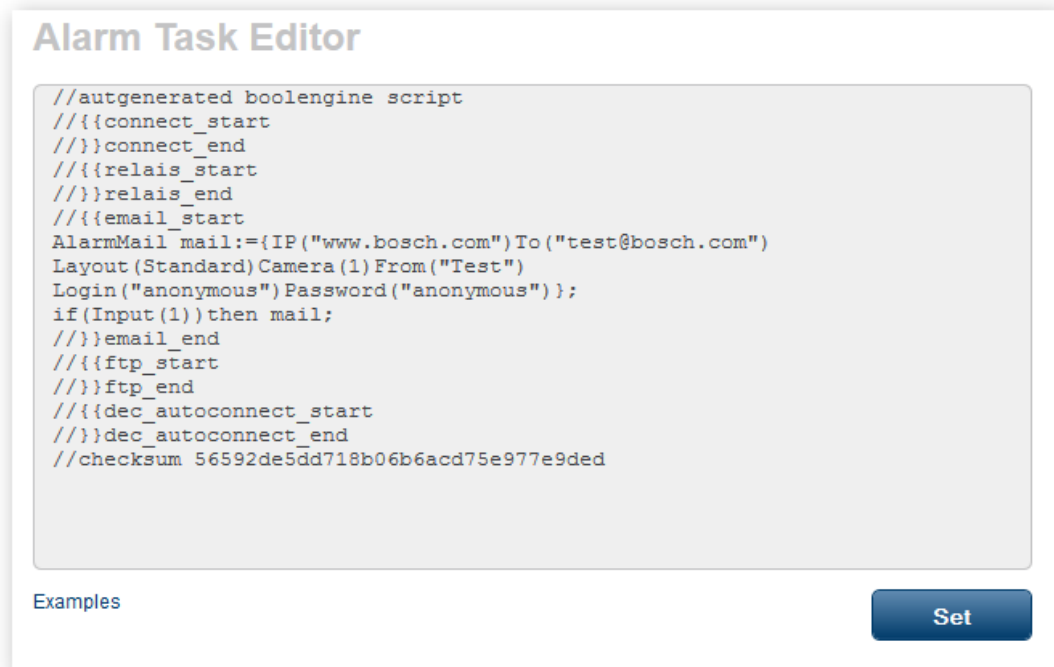


Figure 4.2: Alarm Task Engine script sample (design and parameters depend on the device and firmware version)

It is also possible to edit the automatically created actions and conditions manually. But after that, you cannot configure the current settings in the browser without losing your manual changes – because the new automatically generated script will replace the current manually changed script.

If you edit the script manually and the script contains syntax errors, each error will be listed in the message box above the script editor, indicating the corresponding line as shown in the following figure:

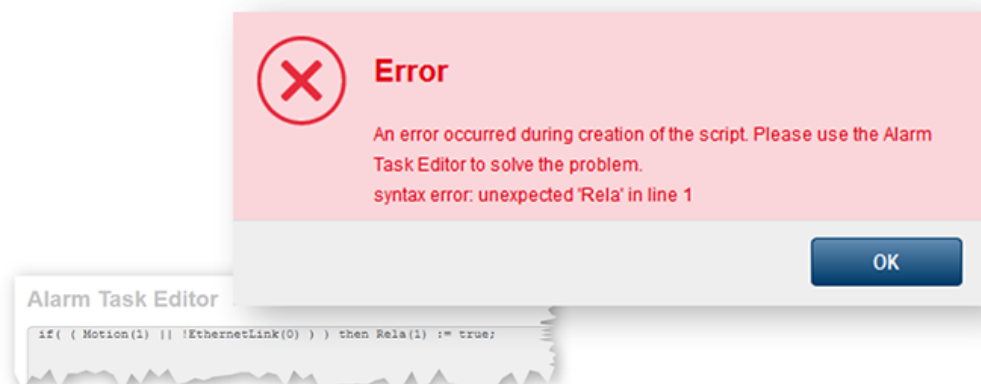


Figure 4.3: Alarm Task Engine error message sample (design and content depend on the device and firmware version)

Possible syntax errors are:

- password or URL too long
- missing bracket, semicolon, and so on

The message box could also display other warnings.

If the script is free of syntax errors, the message **Script successfully parsed.** is displayed.



Notice!

The maximum size of the zipped script file is about 4 KB. If the script gets too big, the script cannot be saved on the device and a write error occurs.

5 Syntax

5.1 Action types

The script language supports the configuration of various action types. Each action is configured by standard and optional parameters. The general syntax of actions is:

```
<action name> <identifier>:={<standard parameters> [<optional parameters>]};
```

There are two different types of actions, asynchronous actions and synchronous actions. It can take several seconds before asynchronous actions are finished or started. In contrast, the synchronous actions are executed immediately. The following list shows the <action name> and whether the action is asynchronous or synchronous:

Asynchronous:

- AlarmMail
- JpegPosting
- Recording
- Connection
- ConnectionList
- RcpCommand
- HttpCommand
- VCAConfiguration
- BicomCommand
- ControlCode
- MessageCheck

Synchronous:

- OperationMode
- Timer

An <identifier> begins with a lower-case phrase that can be followed by either:

- A capitalized phrase
- A lower-case phrase
- A digit
- An underscore

Examples:

```
alarmMail_1
con_23
```

The maximum length of an identifier is 31 characters. Each action has at least one parameter. All parameters have the same syntax which is as follows:

```
<parameter name>(<parameter>)
```

Note that numbered parameters have to be entered in the correct order. This is the case for almost all standard parameters and only few optional parameters. Parameters that come with bullet points may be entered in random order.

5.1.1 AlarmMail

Alarms can be documented by e-mail. This allows notification of clients which do not have a video receiver. Thus you can define an action that automatically sends an e-mail to a previously defined e-mail address.

Standard parameters:

1. IP ("192.168.0.1")
 - Specify the IP or URL address of an e-mail server that operates on the SMTP standard here. The maximum URL length is 127 characters.

2. `To("test@bosch.com")`
Enter the e-mail address for alarm e-mails here. The maximum e-mail address length is 127 characters.

Optional parameters:

- `Layout(<format>)`
You can select the data format of the alarm message. The `<format>` can be:
 - `Standard`: with one or more JPEG image files attached.
 - `SMS`: E-mail is sent in SMS format to an e-mail-to-SMS gateway (for example to send an alarm to a cell phone) without an image attachment. This value is the default format.
- `From("test@bosch.com")`
Enter the sender e-mail address here. The default address is `videosever@bosch.com`. The maximum address length is 127 characters.
- `Subject("Alarm Mail")`
Enter the e-mail subject here. The default subject is `alarm`. The maximum subject length is 127 characters.
- `Password("anonymous")`
If the e-mail server is password protected, enter the password here. The maximum password length is 63 characters.
- `Login("anonymous")`
Enter the login for the e-mail server here. The maximum login length is 63 characters.
- `Camera(1,2,3,...)`
In order to select image files, you must list the particular cameras. To select all cameras, you can also use the word `All`. The default value is empty. That means, no image file will be sent.
- `FileName("Alarm_JPEG")`
You can specify the file name for the JPEG attachment. The default name is `live_'camname'_'date'.jpg`. The maximum length of the file name is 63 characters. If the name is too long, it is cut off at the maximum length. The file name can contain a number of optional parameters which are automatically filled in by the device. These are
 - `%b` for date/time (format: `YYYYMMDD_HHMMSS`)
 - `%c` for camera name
 - `%f` for file number
 - `%l` for line number
 - `%Y` for year (4 digits)
 - `%M` for month (2 digits, with leading zero where necessary)
 - `%D` for day of the month (2 digits, with leading zero where necessary)
 - `%H` for hours (24-hour format, with leading zero where necessary)
 - `%I` for minutes (2-digits, with leading zero where necessary)
 - `%S` for seconds (2-digits, with leading zero where necessary)
- `Format(<formats>)`
Select the resolution of the JPEG images. You can choose between various `<formats>`:
 - `Small`: 176×144/120 pixels (QCIF).
 - `Medium`: 352×288/240 pixels (CIF).
 - `Large`: 704×567/480 pixels (4CIF). This is the default value.
 - `720P`: 1280×720 pixels (only available for HD cameras).
 - `1080P`: 1920×1080 pixels (only available for HD cameras).
 - `5MP`: 2592×1944 pixels (only available for 5MP cameras).
 - `Max`: highest resolution available for this device.

- `<width>, <height>`: resolution in pixels. If the defined resolution is not available, the closest available will be used.
- `Port (<port>)`
You can enter an alternative SMTP port number of the e-mail server. The standard SMTP port number is 25. This is also the default value.
- `VCAOverlay (<boolean>)`
Set `<boolean>` to `true` if the JPEG images should contain the VCA overlay icons. The default value is `false`.
- `Name ("Action Name")`
Enter a name for the action here. This name is then recorded as metadata when the action is processed. Thus, you can search for this name in recordings at a later date. The maximum name length is 25 characters.

**Notice!**

Do not use any special characters, for example `&`, in the name. Special characters are not supported by the system's internal management.

Example:

```
AlarmMail mail:={IP("192.168.0.1")To("to@bosch.com")}
Layout(Standard)From("from@bosch.com")
Subject("test")Password("anonymous")
Login("anonymous")Camera(1,3)Name("alarm_email");
```

5.1.2**JpegPosting**

You can define an action for individually posting one or more JPEG images for example on an FTP or Dropbox account. For this action there are two different standard parameter variants available. The account can either be addressed by using the account name (variant 1) or by directly specifying the `IP`, `Login` and `Password` parameters (variant 2). Please note that variant 1 is preferred since with variant 2 the login and password information is displayed in plain text. The account can be configured for example via the device's Web page.

**Notice!**

If you change the script, all open account connections are closed.

Standard parameter (variant 1):

- `Account ("AccountName")`
Enter the name of the account on which you wish to save the JPEG images. The maximum name length is 31 characters.

Standard parameters (variant 2):

1. `IP ("192.168.0.1")`
Enter the IP or URL address of the account on which you wish to save the JPEG images. The maximum URL length is 127 characters.
2. `Login ("anonymous")`
Enter the login to the account; the maximum length is 31 characters. Note that this information is displayed in plain text.
3. `Password ("anonymous")`
Enter the password of the account; the maximum length is 31 characters. Note that this information is displayed in plain text.

Optional parameters:

- `Format (<formats>)`
Select the resolution of the JPEG images. You can choose between various `<formats>`:
 - `Small`: 176×144/120 pixels (QCIF).
 - `Medium`: 352×288/240 pixels (CIF).
 - `Large`: 704×567/480 pixels (4CIF). This is the default value.
 - `720P`: 1280×720 pixels (only available for HD cameras).
 - `1080P`: 1920×1080 pixels (only available for HD cameras).
 - `5MP`: 2592×1944 pixels (only available for 5MP cameras).
 - `Max`: highest resolution available for this device.
 - `<width>, <height>`: resolution in pixels. If the defined resolution is not available, the closest available will be used.
- `Path ("root/")`
Enter the path to the account; the maximum length is 49 characters. The default path is an empty string.

**Notice!**

This optional parameter is not available if you are using an account name to specify the account. The path parameter is then part of the account configuration.

- `FileName ("jpegPosting")`
You can specify the file name for the files which are archived on the account. The default name is `snap`. The maximum length of the file name is 31 characters minus the suffix length and the extension `.jpg`. If the name is too long, it is cut off at the maximum length. The file name can contain a number of optional parameters which are automatically filled in by the device. These are:
 - `%b` for date/time (format: YYYYMMDD_HHMMSS)
 - `%c` for camera name
 - `%f` for file number
 - `%l` for line number
 - `%Y` for year (4 digits)
 - `%M` for month (2 digits, with leading zero where necessary)
 - `%D` for day of the month (2 digits, with leading zero where necessary)
 - `%H` for hours (24-hour format, with leading zero where necessary)
 - `%I` for minutes (2-digits, with leading zero where necessary)
 - `%S` for seconds (2-digits, with leading zero where necessary)
 If one of these parameters is used, it is no longer possible to choose `Date` for the parameter `<suffix>`.
- `Suffix (<suffix>)`
You can select how file names will be created for the individual images which are transmitted. The `<suffix>` can be:
 - `Overwrite`: The same file name is always used. Some existing files will be overwritten with the current file name. This suffix is also the default value.
 - `Increment`: A number from 000 to 255 is added to the file name, for instance `snap_001_c1.jpg`, and automatically incremented by one. When it reaches 255, the counting process restarts from 000. After you have modified the script, the suffix will also start from 000. In case the server is not available the number will be increased nevertheless, though the generated files will be lost. This causes a gap in the file numbers when the connection is re-established.

- **Date:** The date and time are automatically added to the file name. When setting this parameter, ensure that the unit's date and time are always set correctly. Example: the file `snap_c1_051001_114530.jpg` of camera 1 was stored on October 1, 2005 at 11:45:30 a.m.
- `Camera(1,2,...)`
For selecting the JPEG files you must list the particular cameras. To select all cameras, you can also use the word `All`. The default camera is `1`.
- `VCAOverlay(<boolean>)`
Set `<boolean>` to `true` if the JPEG images should contain the VCA overlay icons. The default value is `false`.
- `Name("Action Name")`
Enter a name for the action here. This name is then recorded as metadata when the action is processed. Thus, you can search for this name in recordings at a later date. The maximum name length is 25 characters.

**Notice!**

Do not use any special characters, for example `&`, in the name. Special characters are not supported by the system's internal management.

Examples:

Variant 1:

```
JpegPosting posting:={Account("MyAccount")
Format(Small)FileName("alarm_%b_%c")
Suffix(Increment)Camera(All)Name("Jpeg posting");}
```

Variant 2:

```
JpegPosting posting:={IP("192.168.0.1")
Login("anonymous")Password("anonymous")
Format(Small)Path("test")FileName("alarm_%b_%c")
Suffix(Increment)Camera(All)Name("Jpeg posting");}
```

5.1.3**Recording**

It is possible to define an action that sends a command for starting and stopping the recording. Preconditions for recording are a storage medium and that the recording scheduler is enabled.

**Notice!**

If you change the script, the activated recording will not be stopped because the recording might have been started from another client. If you want to stop the recording, you have to do it manually.

Standard parameter:

- `Camera(1,2,...)`
You can list all cameras for which the recording should be started or stopped. To select all cameras, you can also use the word `All`.

Optional parameter:

- `Rec(1,2)`
With this parameter you can list the recording streams which should be started or stopped. To select both streams, you can also use the word `All`. The default is recording stream `1`.

Example:

```
Recording recording:={Camera (1,2,3)Rec (2) };
```

See also

- *Stopping an action, page 27*

5.1.4**Connection**

You can define a video and an audio connection from an encoder to a decoder or vice versa. The device of the `\Settings.html` browser page where you enter the script is the local device, the other one is the remote device. It is possible to start and stop a connection.

**Notice!**

If you change the script, all open connections will be closed.

Standard parameter:

- `IP ("www.bosch.com")`
Enter the IP or URL address of the device you would like to connect here. The maximum URL length is 127 characters.

**Notice!**

If you use a decoder, the optional parameter `LocalDirection` (see below) must be set.

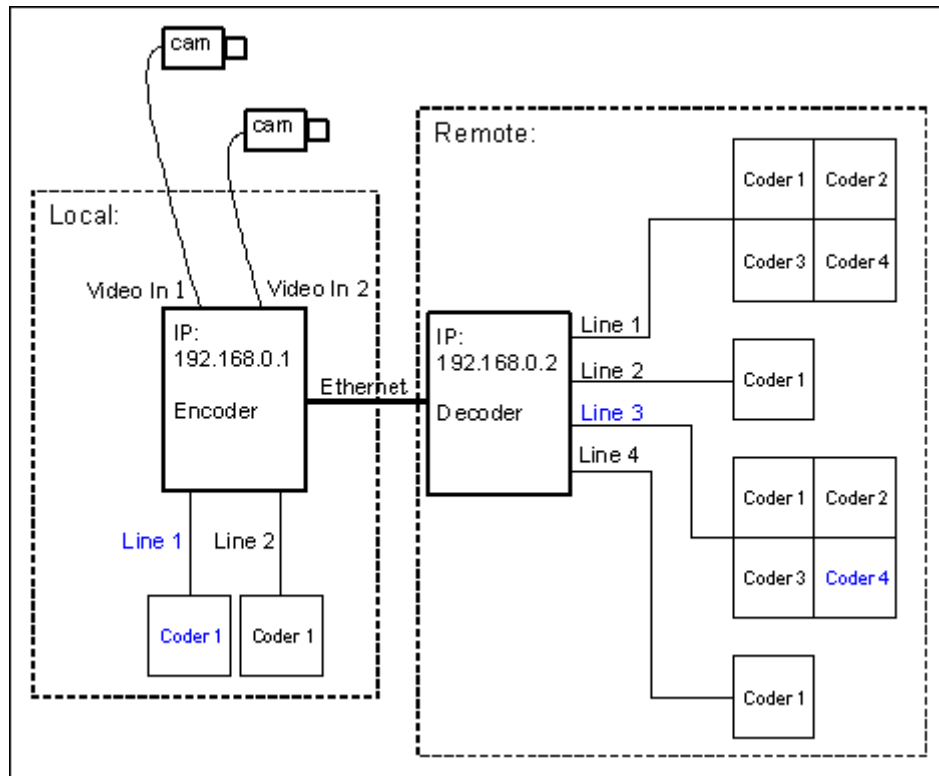
Optional parameters:

- `Protocol (<protocol>)`
Select one of these protocols:
 - `UDP`: UDP protocol, the default value. It is recommended to use the UDP protocol.
 - `TCP`: TCP protocol.
- `LocalLine (<line>)`
Enter the local line as integer that should be connected to a remote station. The default line is 0. That means, the first line with an active video will be chosen.
- `LocalCoder (<coder>)`
A coder is a monitor or view where you can see the video. The default coder is 0. That means, the first monitor on which a video can be displayed will be chosen.
- `LocalDirection (<direction>)`
Choose from the following options:
 - `Out (outgoing)`: Use this option if the local device is an encoder. This option is the default value.
 - `In (incoming)`: Use this option if the local device is a decoder.
 - `Bi (bidirectional)`: For devices which support both outgoing and incoming direction.
- `RemoteLine (<line>)`
Enter the remote line as integer where the connection should be established. The default line is 0. That means, the first free line of the remote station will be chosen.
- `RemoteCoder (<coder>)`
A coder is a monitor or view where you can see the video. The default coder is 0. That means, the first free monitor of the remote station will be chosen.
- `RemotePort (<port>)`
Depending on the network configuration, you can set a browser port:

- HTTP: This value designates port number 80 (default value).
- HTTPS: This value designates port number 443 and enables the encryption mode automatically.
- Enter a valid port number manually. If you use port number 443, the SSL encryption mode will be set to `true` automatically.
- SSL (<boolean>
Set <boolean> to `true` to enable SSL encryption. The default value is `false`. If you want to use an HTTPS connection, you must enable SSL encryption.
- Audio (<boolean>
Set <boolean> to `true` to enable the audio connection. The default value is `false`.
- Password ("anonymous")
If the remote device is password protected for the 'user' authorization level, enter the corresponding password here. The default password is an empty string.
- VideoCoding (<coding>
Enter one of the coding types:
 - MPEG2: MPEG-2 coding.
 - MPEG4: MPEG-4 coding.
 - H264: H.264 coding.
 - All: The best match will be attempted for connection. This is the default value.
- VideoSubstitute (<boolean>
Set <boolean> to `true` if you want to replace an existing connection with a new one. The default value is `false`.
- Name ("Action Name")
Enter a name for the action here. This name is then recorded as metadata when the action is processed. Thus, you can search for this name in recordings at a later date. The maximum name length is 25 characters.

**Notice!**

Do not use any special characters, for example `&`, in the name. Special characters are not supported by the system's internal management.

Example:**Figure 5.1: Encoder/Decoder connections**

In the figure above you see the connection from an encoder to a hardware decoder. In this figure the encoder is the local station and the decoder the remote. A decoder device has one or four views per line. They are called single or quad view. You can set the coder per line where you want to see the video. In the following example, the video from the encoder, Line 1 and Coder 1, should be connected to the decoder, Line 3 and Coder 4:

```
Connection con_1:={IP("192.168.0.2")LocalLine(1)LocalCoder(1)
RemoteLine(3)RemoteCoder(4)};
```

See also

- *Stopping an action, page 27*

5.1.5**ConnectionList**

With this action it is possible to define the order in which connections should be activated until a connection has been established. It is also possible to stop this action.

Standard parameter:

- `Connection(con_1, con_2, ...)`
List the connections here. Before you enter the connections you must define all of them. The action will try to connect the first one after about ten seconds and proceed with the next one until a connection has been established.

Optional parameters:

- `AutoConnect(<boolean>)`
Set `<boolean>` to `true` to enable the `AutoConnect` property. The default value is `false`. If the property is activated, the connection list is processed again after one second delay until a connection has been established. If `AutoConnect` is disabled, the connection list will only be processed once.

- Name ("Action Name")
Enter a name for the action here. This name is then recorded as metadata when the action is processed. Thus, you can search for this name in recordings at a later date. The maximum name length is 25 characters.

**Notice!**

Do not use any special characters, for example &, in the name. Special characters are not supported by the system's internal management.

Example:

```
Connection con_1:={IP("192.168.0.1")};
Connection con_2:={IP("192.168.0.2")};
ConnectionList autoConnect:={Connection(con_1,con_2)AutoConnect(true)
Name("Connection List")};
```

See also

- *Stopping an action, page 27*
- *Connection, page 15*

5.1.6**RcpCommand**

With this action you send RCP commands to the device itself (local host) or to another device.

Standard parameter:

- Command("<rcp command>")

The <rcp command> has the same structure as the CGI command. It is composed as follows:

rcp.xml?command=

plus an RCP+ tag code and – separated by ampersands (&) – corresponding parameters like for example:

- type (datatype)
- direction
- protocol
- payload
- num (numerical descriptor)
- sessionid (session ID)

For further information about RCP+ commands, please see the respective RCP Plus Reference documentation.

Examples:

```
rcp.xml?command=0x061c&type=P_OCTET&direction=WRITE
&protocol=TCP&payload=0x0101004001000000&num=1
```

```
rcp.xml?command=0x028f&type=T_DWORD&direction=WRITE
&protocol=TCP&payload=12&num=1
```

Optional parameters:

- SSL (<boolean>)
Set <boolean> to true to enable SSL encryption for sending the RCP command. The default value is false.
- Port (<port>)
Enter the <port> for sending the RCP command here:

- HTTP: This value designates port number 80 (default value).
- HTTPS: This value designates port number 443 and enables the encryption mode automatically.
- Enter a valid port number manually. If you use port number 443, the SSL encryption mode will be set to `true` automatically.
- `UserName (<username>)`
If the remote device is password protected, enter the corresponding user name. The user name defines the authorization level. Possible levels for `<username>` are:
 - `Service`: This is the highest authorization level. After entering the correct password, this authorization level allows you to use all the functions of the device and change all configuration settings. This is the default value for `<username>`.
 - `User`: This is the middle authorization level. With this authorization level, you can operate the device, but you cannot change the configuration.
 - `Live`: This is the lowest authorization level. With this authorization level, you can view live video, but you cannot operate the device or change the configuration.
- `Password ("anonymous")`
If the remote device is password protected, enter the corresponding password for the user name. The default password is an empty string.
- `IP ("192.168.0.1")`
Enter the IP or URL address here. The default IP address is `127.0.0.1` (local host). The maximum URL length is 127 characters.
- `Name ("Action Name")`
Enter a name for the action here. This name is then recorded as metadata when the action is processed. Thus, you can search for this name in recordings at a later date. The maximum name length is 25 characters.

**Notice!**

Do not use any special characters, for example `&`, in the name. Special characters are not supported by the system's internal management.

Example:

```
RcpCommand sendRcp:={
Command ("rcp.xml?command=0x061c&type=P_OCTET&direction=WRITE&num=1
&payload=0x0101004001000000") SSL (true) Port (HTTPS) IP ("192.168.0.1")
Password ("anonymous") UserName (User)Name ("Rcp Command 0x002")};
```

5.1.7**HttpCommand**

With this action you send HTTP commands to the device itself (local host) or to another device.

Standard parameter:

- `Command ("<http command>")`
The `<http command>` can be any kind of HTTP command which shall be sent to an HTTP server using `GET/` or `POST/`. It consists of the request-URI without the host, starting directly with any path plus query.

**Notice!**

The host can be specified via the parameter `IP` (see below.)

Optional parameters:

- `SSL (<boolean>)`
Set `<boolean>` to `true` to enable SSL encryption for sending the HTTP command. The default value is `false`.
- `Port (<port>)`
Enter the `<port>` for sending the HTTP command here:
 - `HTTP`: This value designates port number 80 (default value).
 - `HTTPS`: This value designates port number 443 and enables the encryption mode automatically.
 - Enter a valid port number manually. If you use port number 443, the SSL encryption mode will be set to `true` automatically.
- `UserName (<username>)`
If the remote device is password protected, enter the corresponding user name. The user name defines the authorization level. Possible levels for `<username>` are:
 - `Service`: This is the highest authorization level. After entering the correct password, this authorization level allows you to use all the functions of the device and change all configuration settings. This is the default value for `<username>`.
 - `User`: This is the middle authorization level. With this authorization level, you can operate the device, but you cannot change the configuration.
 - `Live`: This is the lowest authorization level. With this authorization level, you can view live video, but you cannot operate the device or change the configuration.
- `Password ("anonymous")`
If the remote device is password protected, enter the corresponding password for the user name. The default password is an empty string.
- `IP ("192.168.0.1")`
Enter the IP or URL address here. The default IP address is `127.0.0.1` (local host). The maximum URL length is 127 characters.
- `Method (<method>)`
Specify the `<method>` for the HTTP request:
 - `GET`: use `GET/` as request method. This is the default value.
 - `POST`: use `POST/` as request method.

**Notice!**

When using `POST`, the optional parameters `ContentType` and `Payload` have to be specified.

- `ContentType ("<content-type>")`
Enter the content type of the HTTP `POST/` message body here. Only used for `<method>` `POST`. The default `<content-type>` is `text/xml`.
- `Payload ("<message_body>")`
Enter the HTTP `POST/` message body here. Notice that the parameter `ContentType` has to be specified accordingly.
- `Name ("Action Name")`
Enter a name for the action here. This name is then recorded as metadata when the action is processed. Thus, you can search for this name in recordings at a later date. The maximum name length is 25 characters.

**Notice!**

Do not use any special characters, for example &, in the name. Special characters are not supported by the system's internal management.

Examples:

Using GET/ as request method:

```
HttpCommand sendHttp:={
Command("HttpSrv.aspx?command=httpCommand1") SSL(true)
Port(HTTPS) IP("192.168.0.1")
Password("anonymous") UserName(User) Name("Http Command 1");
```

Using POST/ as request method:

```
HttpCommand sendHttp:={
Command("HttpSrv.aspx") SSL(true) Port(HTTPS) IP("192.168.0.1")
Password("anonymous") UserName(User) Method(POST)
ContentType("text/xml") Payload("<start>anyXMLcontent</start>")
Name("Http Command 2");
```

5.1.8**VCAConfiguration**

With this action you apply a certain VCA configuration profile to a video line.

Standard parameters:

1. `Line (<line>)`
Enter the video line (starting from 1) for which you would like to set the configuration.
2. `Configuration (<config>)`
Enter the number of the configuration profile which you would like to set. 0 means no configuration.

Optional parameter:

- `Name ("Action Name")`
Enter a name for the action here. This name is then recorded as metadata when the action is processed. Thus, you can search for this name in recordings at a later date. The maximum name length is 25 characters.

**Notice!**

Do not use any special characters, for example &, in the name. Special characters are not supported by the system's internal management.

Example:

```
VCAConfiguration setVCAConfig:={
Line(1) Configuration(1) Name("SetConfig 1");
```

5.1.9**BicomCommand**

With this action you send BiCom commands to the device itself (local host). For further information about BiCom, please see the BiCom-Bilinx Command Interface documentation.

Standard parameters:

1. `Server (<BicomServer>)`
Enter the `<BicomServer>` to which the command should be sent here:
 - `DeviceSrv`: device server
 - `CameraSrv`: camera server

- PtzSrv: PTZ server
 - CaSrv: content analysis server
 - IoSrv: I/O server
2. ObjectId(<Id>)

Enter the BiCom object <Id> here. The ID can be either decimal or hexadecimal.

Optional parameters:

- Payload("0x1234")

Enter the BiCom command payload here. The payload must be hexadecimal and start with 0x. The length of the payload must match the length specified in the BiCom documentation for the corresponding object.
- Operation(<Id>)

Enter the BiCom operation <Id> here (e.g. 0x02 for 'Set', 0x03 for 'SetGet'). The ID can be either decimal or hexadecimal. The default value is 0x02 which is the ID for 'Set'.
- Name("Action Name")

Enter a name for the action here. This name is then recorded as metadata when the action is processed. Thus, you can search for this name in recordings at a later date. The maximum name length is 25 characters.

**Notice!**

Do not use any special characters, for example &, in the name. Special characters are not supported by the system's internal management.

Example:

```
BicomCommand sendBicom:={
Server(CameraSrv)ObjectId(0x0140)Payload("0x0001")
Name("Bicom Command 0x0140")};
```

5.1.10**ControlCode**

With this action you send BiCom control codes to the device itself (local host). For further information about BiCom control codes please see the BiCom-Bilinx Command Interface documentation.

Standard parameters:

1. Operation(<type>)

Enter the <type> of operation here:

 - AuxOn
 - AuxOff
 - Shot
 - Set
2. Number(<num>)

Enter the control code number <num> here.

Optional parameter:

- Name("Action Name")

Enter a name for the action here. This name is then recorded as metadata when the action is processed. Thus, you can search for this name in recordings at a later date. The maximum name length is 25 characters.

**Notice!**

Do not use any special characters, for example &, in the name. Special characters are not supported by the system's internal management.

Example:

```
ControlCode commandLock:={
Operation(AuxOn)Number(90)Name("ControlCode 90 on");
```

5.1.11**MessageCheck**

With this action you check for received messages from the device itself (local host) or from another device. The message check needs to be performed regularly and within a time period shorter than 20 seconds. Otherwise messages can be lost. Additionally, a maximum of 32 messages can be received between two consecutive checks. If the specified message has been received, the action state is set to activated which can be checked via `IsActivated()`. After a short time the state is automatically disabled again.

Standard parameter:

- `Message("<message>")`
Here you specify which messages you want to check. `<message>` has the same structure as the CGI command. It is composed as follows:
`rcp.xml?message=`
plus a message tag code or a list of message tag codes

Examples:

```
rcp.xml?message=0x01C0
rcp.xml?message=0x01C0$01C1
```

Optional parameters:

- `Payload("0x1234")`
Here you specify a certain payload. This is checked against the payload which has been received within the message. Only if the message has the same payload as specified here, the `MessageCheck` action state is activated.
- `Num(<index>)`
Here you specify a certain numeric parameter. This is checked against the numeric parameter which has been received within the message. Only if the message has the same numeric parameter as specified, the `MessageCheck` action state is activated.
- `SSL (<boolean>)`
Set `<boolean>` to `true` to enable SSL encryption for sending the message check. The default value is `false`.
- `Port (<port>)`
Enter the `<port>` for sending the message check here:
 - `HTTP`: This value designates port number 80 (default value).
 - `HTTPS`: This value designates port number 443 and enables the encryption mode automatically.
 - Enter a valid port number manually. If you use port number 443, the SSL encryption mode will be set to `true` automatically.
- `UserName (<username>)`
If the remote device is password protected, enter the corresponding user name. The user name defines the authorization level. Possible levels for `<username>` are:

- **Service:** This is the highest authorization level. After entering the correct password, this authorization level allows you to use all the functions of the device and change all configuration settings. This is the default value for `<username>`.
- **User:** This is the middle authorization level. With this authorization level, you can operate the device, but you cannot change the configuration.
- **Live:** This is the lowest authorization level. With this authorization level, you can view live video, but you cannot operate the device or change the configuration.
- **Password ("anonymous")**
If the remote device is password protected, enter the corresponding password for the user name. The default password is an empty string.
- **IP ("192.168.0.1")**
Enter the IP or URL address here. The default IP address is 127.0.0.1 (local host). The maximum URL length is 127 characters.
- **Name ("Action Name")**
Enter a name for the action here. This name is then recorded as metadata when the action is processed. Thus, you can search for this name in recordings at a later date. The maximum name length is 25 characters.

**Notice!**

Do not use any special characters, for example `&`, in the name. Special characters are not supported by the system's internal management.

Example:

```
MessageCheck msg1:={
Message ("rcp.xml?message=0x0a8b") Num(1)
Payload("0x00") IP("192.168.0.1")};

OperationMode trigger5sec:={Low(1)High(49)};
TempState(1):=trigger5sec;

if(TempState(1)) then msg1;

if(IsActivated(msg1)) then Relay(1):=true;
```

See also

- *Action states, page 30*

5.1.12**OperationMode**

You can configure the operation mode of C-states. C-states have a normal behavior, but you can change the mode with this action. You can configure the operation mode of C-states only. You can set a bistable, monostable or periodic mode.

**Notice!**

If you change the script, all used C-states will be set to the idle state `open`. Further, the C-states which were used in the monostable or periodic mode will be disabled.

Bistable

With bistable mode, you specify whether the C-state should be open or closed.

Standard parameter:

- Idle (<idle state>)

Configure the <idle state> here. It can be open or closed. The default value for all states is open.

Monostable

In monostable mode, the C-state will return to disabled after a defined time.

Standard parameter:

- High (<time>)

Enter the duration of <time> in tenths of a second. High means the C state is enabled and after the specified time it will be disabled. The <time> value must not be 0.

Optional parameter:

- Idle (<idle state>)

Configure the <idle state> here. It can be open or closed. The default value for all states is open.

Periodic

With periodic mode, you define how long a C-state should be enabled or disabled.

Standard parameters:

- Low (<time>)

Enter the duration of <time> in tenths of a second. Low means the C state is disabled. The <time> value must not be 0.

- High (<time>)

Enter the duration of <time> in tenths of a second. High means the C state is enabled and after the specified time it will be disabled. The <time> value must not be 0.

Optional parameters:

- Idle (<idle state>)

Configure the <idle state> here. It can be open or closed. The default value for all states is open.

- Name ("Action Name")

Enter a name for the action here. This name is then recorded as metadata when the action is processed. Thus, you can search for this name in recordings at a later date. The maximum name length is 25 characters.



Notice!

Do not use any special characters, for example &, in the name. Special characters are not supported by the system's internal management.

Examples:

```
OperationMode bistable:={Idle(closed)Name("bistable mode")};
OperationMode monostable:={High(20)};
OperationMode periodic:={Low(100)High(20)Idle(closed)};
```

See also

- *State operation mode, page 32*

5.1.13

Timer

This action is used for setting the daily or weekly timer. Thus, you define actions that are executed at a particular time. A day is subdivided into 24 time slices. The defined time is evaluated every minute. Thus the time can be defined from 00:00 to 23:59. The current state of the action is interpreted by the identifier of the action.

Standard parameters:

1. `TimeBegin(<time>)`
Enter the start `<time>` of the timer action, for instance 11:01.
2. `TimeEnd(<time>)`
Enter the end `<time>` of the timer action, for instance 23:01. If the end time is set before the start time, the timer is disabled from the end time to the start time.

Example:

```
TimeBegin(22:10)TimeEnd(10:10)
```

The timer is enabled from 00:00 to 10:10 and from 22:10 to 23:59 at the same day. From 10:11 to 22:09, the timer is disabled. If you use the optional parameters, this condition will depend on the weekday.

Optional parameters:

1. `DayBegin(<weekday>)`
Here you enter the `<weekday>` in a short form (Mo, Tu, We, Th, Fr, Sa and Su) on which the timer should start.
2. `DayEnd(<weekday>)`
Here you enter the `<weekday>` in a short form (Mo, Tu, We, Th, Fr, Sa and Su) on which the timer should end.



Notice!

If you want to define a weekly timer, you must set both parameters `DayBegin` and `DayEnd`.

- `Name("Action Name")`
Enter a name for the action here. This name is then recorded as metadata when the action is processed. Thus, you can search for this name in recordings at a later date. The maximum name length is 25 characters.



Notice!

Do not use any special characters, for example `&`, in the name. Special characters are not supported by the system's internal management.

Examples:

```
Timer daily:={TimeBegin(01:13)TimeEnd(14:30)};
```

The timer is enabled from 01:13 to 14:30 every day.

```
Timer weekly:={TimeBegin(01:13)TimeEnd(14:30)DayBegin(Mo)
```

```
DayEnd(Th)Name("weekly timer")};
```

The timer is enabled from Monday, 01:13 to Thursday, 14:30. Note that start time and day are linked together as well as end time and day.

See also

- *Action states, page 30*

5.1.14 Stopping an action

Some actions have the particular property of being executed permanently once they have been activated, for instance the `Recording` action. The script language enables you to define a statement for stopping such an action, for example stopping a recording or disconnecting an activated connection. The common syntax is:

```
Stop(<identifier>)
```

The `<identifier>` has to belong to a defined action. In many cases, using the `Stop` command is not obvious. The following list shows all actions where the `Stop` command can be used and explains the meaning:

- `Recording`
Stops the recording.
- `ConnectionList`
If the `AutoConnect` parameter was set to `true` but no connection could be established, this action will keep running until a connection has been established. The action can be terminated with the `Stop` command at any time.
- `Connect`
Disconnects the connection.

The operation mode action has a different syntax. Here, you must allocate the `Stop` command to the C-state as follows:

```
<C-state>:=Stop(<identifier>)
```

The `<identifier>` has to belong to a defined action operation mode. If a C-state is deactivated, the idle state is always set to `open`. Furthermore, the C-states which were used in the monostable and periodic mode will be set to disabled. Thus, after being deactivated, C-states always have a defined state.

See also

- *OperationMode, page 24*

5.2 State types

There are different state types. The script language enables you to request the value of a state which is a Boolean. The general syntax of the different state types is:

- `<state name>`
- `<state name>(<integer>)`
- `<state name>(<identifier>)`
- `<state name>(<integer>,<integer>)`

5.2.1 I/O states

I/O states are R-states or C-states, which are as follows:

R-states:

- `HddError`
Triggered by an HDD defect.
- `Connect`
Triggered whenever a connection has been established (any media session).
- `VideoConnect`
Triggered whenever a live video connection has been established (only for a live connection, not for a replay).

- EthernetLink(<index>)

There are internal and external links. The internal link always has the index 0. If a device has only one link, the internal link is coevally the external link. If a device additionally has a fiber link, it always has the highest index of the links. An activated link status is always 1 or true.
- Input(<index>)

Triggered by an external alarm input.
- VideoAlarm(<camera>)

Triggered by an interruption of the video signal. Only for encoders.
- Motion(<camera>)

Triggered by motion alarm.
- Remote(<index>)

Triggered by a remote station's switching contact (only if a connection exists).
- VCARule(<camera>, <rule>, <configuration(opt)>)

Triggered by a certain VCA alarm (<rule>) from a video line (<camera>). The <configuration> parameter is optional and additionally checks if the alarm was generated by the specified VCA configuration profile. See also the VCA Task Script Language documentation.
- Key(<index>)

Triggered by a softkey (1 to 8) or the alarm key (0) of a connected IntuiKey keyboard.
- NightMode

Triggered when the night mode of the device is activated (only for devices supporting night mode).
- AudioAlarm(<audio line>)

Triggered by an audio alarm on the corresponding audio line.
- VirtualAlarm(<index>)

Triggered by a virtual alarm input.
- IsFirstPass

Triggered once when the Alarm Task Engine is started and the script is processed for the first time. For example, this state is used to initialize other states.
- VCATaskRunning(<camera>)

Triggered when the VCA task of a video line (<camera>) is running. For example, this state is used to perform an action or an alarm in case the VCA task is interrupted.
- ManipulationAlarm(<index>)

Triggered by an external manipulation alarm (for example if the housing of the device is opened). Only for devices which support manipulation alarms.
- Freeze(<line>, <coder>)

A freeze state for a decoder is triggered if a connection to a camera/encoder exists but no video data is received due to a network failure, for example. For split-screen view, <coder> is giving the position of the image in the screen (for example, 2 for the upper-right quadrant). For multi-channel decoders, <line> is giving the video output. Only for decoders.

Note that the freeze condition needs to be configured via the RCP command CONF_DEC_SHOW_FREEZE (0x092e). See the RCP Plus Reference documentation for more information.
- RecordingError(<camera>, <recording>)

Triggered by a recording error for a recording stream (<recording>) on a video line (<camera>).

- `GlobalRecordingError`
Triggered by a recording error for any recording stream on any video line.
- `PIR(<index>)`
Triggered by a PIR (passive infrared) sensor input alarm. Only for cameras supporting PIR.
- `LowAmbientLight`
Triggered when the ambient light level is below a certain threshold. The threshold is adjusted using the RCP command `CONF_LOW_AMBIENT_LIGHT_THRESHOLD (0x0c46)`. See the RCP Plus Reference documentation for more information. Only for devices supporting ambient light detection.

C-states:

- `Relay(<index>)`
The number of relays depends on the device.
Note: On AVIOTEC (fire) cameras the relay is not available in the Alarm Task Engine.
- `TempState(<index>)`
There are 18 temporal states for saving.
- `Illuminator(<index>)`
White light illumination – the number of illuminators depends on the device. Only for certain cameras.



Notice!

The number of cameras and indices depends on the particular device except the temporal states. All numbers start with 1 except the index of the Ethernet links which starts with 0.

5.2.2

Tamper states

The MOTION+, IVMD (Intelligent Video Motion Detection) and other video content analysis algorithms from Bosch detect tampering of a camera. The default algorithm is MOTION+. The different kinds of tampering do not need to be enabled from the configuration of the algorithms except the `RefImageCheckFailed` tamper state. Configuring the tamper states is also possible on the browser page under **Configuration > Alarm > VCA** (for firmware versions up to 6.0: **SETTINGS > Advanced Mode > Alarm > VCA**). You can disable or enable all tamper states here. The output of possible tamper actions is accessible via Boolean states. For each state, the parameter is `<camera>`. Thus you have to enter the corresponding camera for the tamper state. The following tamper states are available:

- `SignalTooBright(<camera>)`
This state will be enabled if the video signal becomes too bright, so that automatic object detection becomes impossible. This can happen if the camera is dazzled by a strong light source.
- `SignalTooDark(<camera>)`
This state will be enabled if the video signal becomes too dark, so that automatic object detection becomes impossible. This can happen if the camera is covered by a sheet, in such a way that an almost black image is recorded.
- `SignalTooNoisy(<camera>)`
This state will be enabled if the video signal becomes too noisy, in such a way that automatic object detection becomes impossible. This can happen if an analog video signal is transmitted over a large distance. Only for firmware versions up to 6.20.
- `SignalLoss(<camera>)`
This state will be enabled if the video signal is lost. Only for firmware versions up to 6.20.

- `RefImageCheckFailed(<camera>)`
If a reference image has been set during the configuration of the algorithms and the reference checking of the algorithms has been enabled, manipulation of the camera is detected by comparing the current video signal with the preset reference image. Significant differences between the two images are forwarded to the Alarm Task Engine.
- `GlobalChange(<camera>)`
This state will be enabled if most of the image content has been changed. This can happen if the camera is moved or if an object comes too close to the camera.

5.2.3

Action states

Some actions have R- or R/W-states. Therewith, you verify whether a defined action was successful or not. For instance, if you have defined an e-mail but the SMTP server does not work or the login is wrong, the e-mail will not be sent. Such errors are evaluated with the following syntax:

```
Error(<identifier>)
```

This error state is an R/W-state and the `<identifier>` has to belong to a configured action, for instance `Error(mail)`. Here, `mail` is the identifier of the action `AlarmMail`. But the type of the errors cannot be interpreted. That means, you cannot specify the source of failure. The following list shows the actions which have an error state and some hints why an action could not be executed successfully:

- `RcpCommand`
Sending an RCP command has not been successful. Maybe you have entered a wrong IP address.
- `Connection`
The connection has not been established, e.g. because the IP address is incorrect.
- `AlarmMail`
The mail could not be sent to an SMTP server, e.g. because the server is password protected.
- `JpegPosting`
Posting to an account has not been successful because the account could not be reached.
- `VCAConfiguration`
Setting the VCA configuration has not been successful.
- `BicomCommand`
Sending a BiCom command has not been successful. Maybe the object ID is wrong or the payload length is incorrect.
- `ControlCode`
Sending a control code has not been successful. Maybe the control code number is incorrect or out of range.
- `MessageCheck`
The message check has not been successful. Maybe the time interval between two checks was too long or the remote device is not available.
- `HttpCommand`
Sending an HTTP command has not been successful. Maybe you have entered a wrong IP address or the HTTP server did not send back 200 OK.



Notice!

Error states are not set back to disabled.

That means, if the action, for example JPEG posting, was not successful, the error state `Error(posting)` will not be set back to disabled. Thus, if you execute the action once more and the posting was not successful again, you cannot evaluate the error. Therefore, you must set back the error state.

Example:

```
JpegPosting posting:={IP("192.168.0.1")
Login("anonymous") Password("anonymous")};
if(Error(posting)) then Error(posting):=false;
```

Furthermore, you can verify whether a defined action is activated or not, for instance, with the `Connection` action. The syntax of this state is:

```
IsActivated(<identifier>)
```

The `<identifier>` has to belong to a configured action as follows:

- `Connection`
If there is a connection to the IP address entered, the state is enabled, otherwise it is disabled.
- `ConnectionList`
When trying to connect an encoder or decoder, the state is enabled, otherwise it is disabled.
- `Timer`
If the configured timer is active, the state is enabled, otherwise it is disabled.

Example:

```
Timer dailyRelay:={TimeBegin(08:00) TimeEnd(18:00)};
if(IsActivated(dailyRelay)) then Relay(1):=true else Relay(1):=false;
```

- `MessageCheck`
If the defined message has been received and - if specified - the payload and numeric parameters are correct, the state is enabled. After a short time the state is automatically disabled again.

5.3 Conditions

5.3.1 Boolean composition of conditions

A Boolean condition is a condition that returns a Boolean value, that is `true` or `false`. In this Boolean composition you can use:

- constants
- negation
- conjunction
- disjunction

There are two constants which have a value with a fixed meaning. These constants are `true` (1) and `false` (0).

The syntax of negation, conjunction and disjunction is:

- Negation of conditions:
`<condition>:=!<condition>`
`<condition>:=not <condition>`
- Conjunction of conditions:
`<condition>:=<condition> && <condition>`
`<condition>:=<condition> and <condition>`
- Disjunction of conditions:
`<condition>:=<condition> || <condition>`
`<condition>:=<condition> or <condition>`

Ambiguities in the evaluation of expressions are resolved by priorities. Negations have the highest priority, followed by conjunctions, and disjunctions have the lowest priority. Furthermore, the priority can be controlled by putting sub-expressions in parentheses:

```
<condition>:=(<condition>)
```

With the help of the Boolean conditions you can combine all R-, R/W- and C-states with each other.

Examples:

```
(Relay(1) || Motion(2)) && Input(1)
IsActivated(con_1) and VCARule(2,3)
!Connect or Error(sendRcp)
```

5.3.2

State condition

With a state condition it is possible to set an R/W-state depending on a Boolean condition.

The general syntax is:

```
<R/W-state>:=<condition>;
```

Consequently, the <R/W-state> is defined by the <condition> on the right. If the result of the condition is `true`, the R/W-state is enabled. If the condition is `false`, the R/W-state is disabled. Note that the R/W-state is only set if the condition has changed. Some examples for using states:

Examples:

```
Relay(1):=Motion(2) && Input(1);
TempState(2):=not Relay(2) and VCARule(2,3);
Relay(2):=true;
```

5.3.3

State operation mode

The `TempState(<index>)` and `Relay(<index>)` C-states have a special property. It is possible to allocate them a specific operation mode like bistable, monostable or periodic. Before an operation mode is allocated, it must be defined. Such statements are executed once each time the Alarm Task Engine is initialized.

The syntax is:

```
<C-state>:=<identifier>;
```

The <identifier> must be an `OperationMode` action. The following example shows how to configure a C-state. In this example a relay is disabled for ten seconds and enabled for two seconds:

```
OperationMode periodic:={Low(100)High(20)};
Relay(1):=periodic;
```

This way, you only can activate the operation mode of a C-state. It is not possible to stop or to deactivate the C-state this way.

See also

- *Action condition, page 33*

5.3.4

Action condition

Actions defined with an action condition are executed on a particular condition. The syntax of an action condition is:

```
if(<condition>)then <statement list> [else <statement list>];
```

A <statement list> is defined as:

```
<statement list>:= <statement>
                    | <statement>,<statement list>
<statement>:= <identifier>
               | <state condition>
               | <state operation mode>
```

The <identifier> must belong to a configured action.

Examples:

You have configured an action for recording and the recording should start if the relay is enabled. Therefore, you must define an action condition as follows:

```
Recording recording:={Camera(1)};
if(Relay(1))then recording;
```

After a motion alarm, an alarm e-mail should be sent and a JPEG-file should be posted. First, you have to configure both actions, then you have to define the action condition as follows:

```
JpegPosting posting:={IP("192.168.0.1")}
Login("anonymous") Password("anonymous");
AlarmMail mail:={IP("192.168.0.1")To("to@bosch.com")};
if(Motion(1))then mail,posting;
```

A relay should be set to monostable mode from 8:00 a.m. to 10:00 p.m., the remaining time the relay should be set to normal mode. Therefore, you have to configure an operation mode, a timer and a condition action:

```
OperationMode monostable:={High(50)};
Timer daily:={TimeBegin(8:00)TimeEnd(22:00)};
if(IsActivated(daily))then Relay(1):=monostable
else Relay(1):=Stop(monostable);
```



Notice!

The statements will be evaluated if the Boolean condition alternates from disabled to enabled or from enabled to disabled.

If for security reasons you want to send an alarm e-mail each time one of the relays Relay(1) or Relay(2) is enabled, you must define the action condition as follows:

```
if(Relay(1))then sendMail;if(Relay(2))then sendMail;
```

You cannot define the action condition in the following way:

```
if(Relay(1) or Relay(2))then sendMail;
```

In this action condition the alarm mail is only sent once even if both relays are enabled.

See also

- *State condition, page 32*
- *State operation mode, page 32*

5.4 Comments

You can set comments within the script so that you can describe your actions or states or comment these out. There are two types of comments.

The first one is the line comment. It starts with the characters `//` (double slash) followed by other characters and ends with a new line like:

```
//comment
```

The other one is the multiline comment. This one begins with `/*` (slash and asterisk) and ends with `*/` (asterisk and slash):

```
/*multiline  
comment*/
```

It is also possible to combine both types. Everything within a comment is not evaluated. Since the script size is restricted, you should limit the number of comments to the necessary extent.

See also

- *Configuration, page 7*

6 Starting the Alarm Task Engine

If you have automatically or manually created a script, the script will be sent to the device. It is recommended to send the script via HTTPS. Otherwise, the passwords and login information are sent plain. Then the script is parsed on the device. If the script is free of syntax errors, the message **Script successfully parsed.** is displayed above the Alarm Task Editor and a new Alarm Task Engine is created.

The Alarm Task Engine will run until a new one is created. Before the new Alarm Task Engine starts to run, all previously created events which belong to an older Alarm Task Engine are deleted. Also, all actions are deleted except the one which is being executed at that moment and the temporal states will be set to disabled. Only after that the new Alarm Task Engine is initialized. For example, the operation mode of a C-state is activated or actions are being executed when the Boolean condition is `true` and so on.

Example:

For instance, you have configured the device and it is going to reset. After the restart, the device can reconnect automatically or immediately send an alarm e-mail:

```
Connection con_1:={IP("192.168.9.1")};
AlarmMail restart:={IP("www.mailserver.de")
To("test@bosch.com") Subject("restart")};
if(true)then restart,con_1;
```

See also

- *I/O states, page 27*

Glossary

4CIF

2*2 Common Intermediate Format

5MP

5 Megapixel

CGI

Common Gateway Interface

CIF

Common Intermediate Format

C-state

Configurable state

FTP

File Transfer Protocol

HD

High Definition

HDD

Hard Disk Drive

HTTP

Hypertext Transfer Protocol

HTTPS

Hypertext Transfer Protocol Secure

I/O

Input/Output

IP

Internet Protocol

JPEG

Joint Photographic Expert Group

MPEG

Moving Picture Experts Group

QCIF

Quarter Common Intermediate Format

R/W-state

Readable/Writable state

RCP

Remote Control Protocol

R-state

Readable state

SMS

Short Message Service

SMTP

Simple Mail Transfer Protocol

SSL

Secure Sockets Layer

TCP

Transmission Control Protocol

UDP

User Datagram Protocol

URI

Uniform Resource Identifier

URL

Uniform Resource Locator



Bosch Security Systems B.V.

Torenallee 49

5617 BA Eindhoven

Netherlands

www.boschsecurity.com

© Bosch Security Systems B.V., 2019