

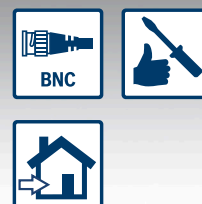
Indoor Dome Color Camera

www.boschsecurity.com



BOSCH

Invented for life



Advantage Line

The VDC-230 camera is a compact, stylish surveillance dome that offers excellent resolution in variable lighting conditions. The high performance 1/3-inch CCD camera is available with a 3.8 mm fixed lens.

The camera is easy to install and can be adjusted around 3 axes. Privacy zones and motion detection functions can be set up in the handy camera menu system.

Features

- ▶ Excellent resolution (570 TVL sensor resolution)
- ▶ Clean images under variable light
- ▶ Easy install

2 | Indoor Dome Color Camera

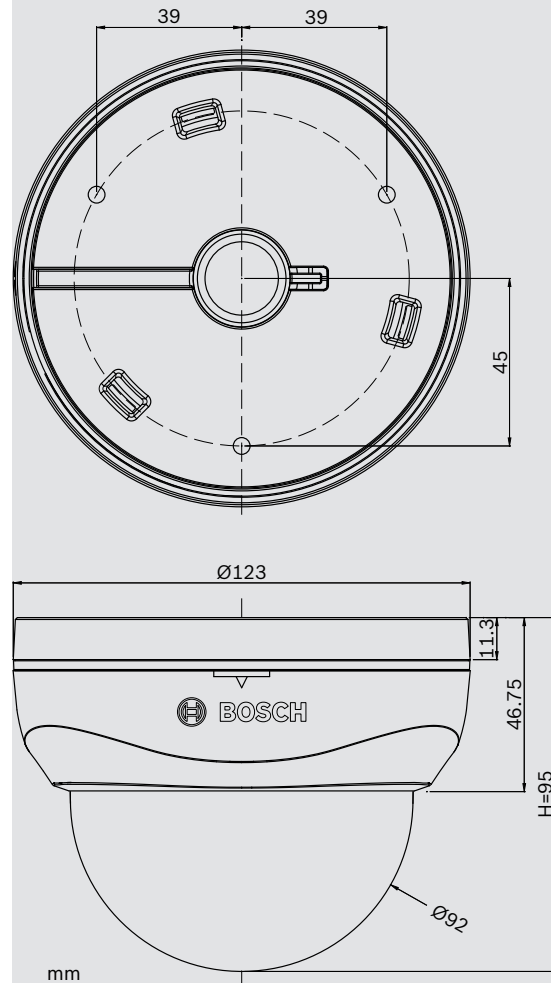
Technical specifications

Technical specifications	
System	PAL or NTSC
Effective pixels (H x V)	752 x 582 (PAL) 768 x 494 (NTSC)
Image Sensor	1/3-inch High sensitivity CCD
Video Output	Composite: 1 Vpp, 75 Ohm
Sync. System	Internal sync.
S/N Ratio	50 dB min.
(sharpness, AGC off)	
Horizontal resolution	570 TVL sensor resolution
Minimum Illumination	0.15 lx (color)
(F2.0, 30IRE, AGC max.)	
ESC	1/50(60) – 1/120,000
Manual Shutter	1/50(60), 1/100(120), 1/250, 1/500, 1/700, 1/1k, 1/1.6K, 1/2.5K, 1/5K, 1/7K, 1/10K, 1/30K, 1/60K, 1/120K
DNR	Off, Low, Middle, High
White Balance	ATW, Manual, Push
SBLC	Off, Low, Middle, High
AGC	On, Off
Day/Night	Auto, Color, B/W, Ext.
Burst	On, Off
Motion detection	On, Off (4 programmable zones)
Privacy	On, Off (4 programmable zones)
Mirror	On (horizontal), Off
Sharpness	1 - 20
Gamma	0.35, 0.45, 0.6, 0.75
OSD language	English, Chinese
Lens type	3.8 mm, fixed, manual lens
Supply Voltage	12 VDC ($\pm 10\%$)
Power Consumption	3.6 W max. / 0.3 A
Operating Temperature	-10 °C to +50 °C (14 °F to +122 °F)
Operating Humidity	30% to 80% RH
Storage Temperature	-20 °C to +60 °C (-4 °F to +140 °F)
Storage Humidity	20% to 90% RH

Certifications and approvals

Region	Certification
Europe	CE
Standards	EN 55022:2006/A1:2010 EN 60950-1:2006/ A11:2009+A1:2010+A12:2011+AC:2011

Installation/configuration notes



Ordering information

Indoor Dome Camera, PAL	VDC-230F04-10
Indoor Dome Camera, NTSC	VDC-230F04-20

Represented by:

Americas:

Bosch Security Systems, Inc.
130 Perinton Parkway
Fairport, New York, 14450, USA
Phone: +1 800 289 0096
Fax: +1 585 223 9180
security.sales@us.bosch.com
www.boschsecurity.us

Europe, Middle East, Africa:

Bosch Security Systems B.V.
P.O. Box 80002
5617 BA Eindhoven, The Netherlands
Phone: +31 40 2577 284
Fax: +31 40 2577 330
emea.securitysystems@bosch.com
www.boschsecurity.com

Asia-Pacific:

Robert Bosch (SEA) Pte Ltd, Security Systems
11 Bishan Street 21
Singapore 573943
Phone: +65 6571 2808
Fax: +65 6571 2699
apr.securitysystems@bosch.com
www.boschsecurity.asia

China:

Bosch (Shanghai) Security Systems Ltd.
201 Building, No. 333 Fuquan Road
North IBP
Changning District, Shanghai
200335 China
Phone +86 21 22181111
Fax: +86 21 22182398
www.boschsecurity.com.cn

America Latina:

Robert Bosch Ltda Security Systems Division
Via Anhanguera, Km 98
CEP 13065-900
Campinas, Sao Paulo, Brazil
Phone: +55 19 2103 2860
Fax: +55 19 2103 2862
latam.boschsecurity@bosch.com
www.boschsecurity.com