



# VIP X1600 XFMD

Decoder module



**BOSCH**

en Quick Installation Guide

These instructions "Quick Installation Guide" refer to the VIP X1600 XFMD decoder module.

---

**CAUTION!**

You should always make yourself familiar with the required safety measures in the corresponding chapter of the user's manuals for the VIP X1600 XFMD decoder module and the VIP X1600 XF base (see product-CD supplied with the VIP X1600 XF base). You will find important details on the installation and on the operation of the unit in the user's manuals.

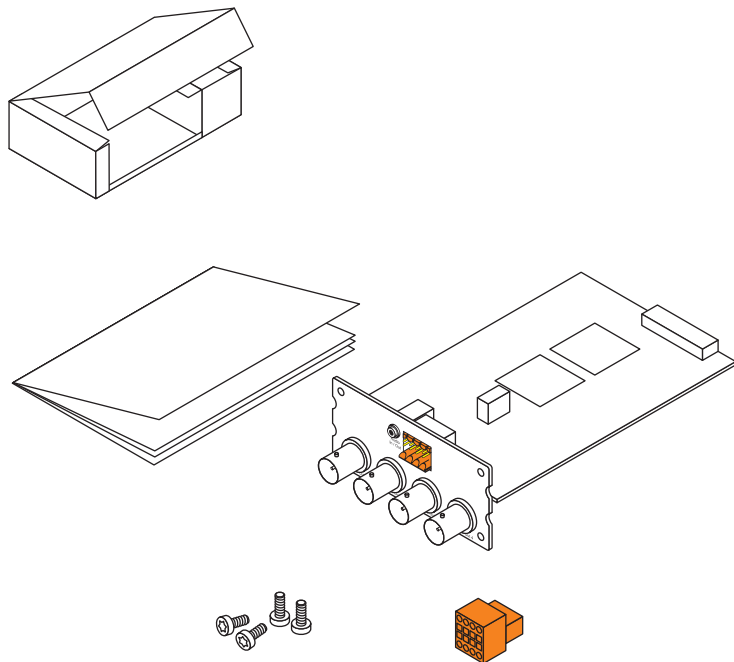
These instructions "Quick Installation Guide" only show the basic installation of a VIP X1600 XFMD decoder module; they are no substitute for the complete user's manual.

---

Contents of Delivery:

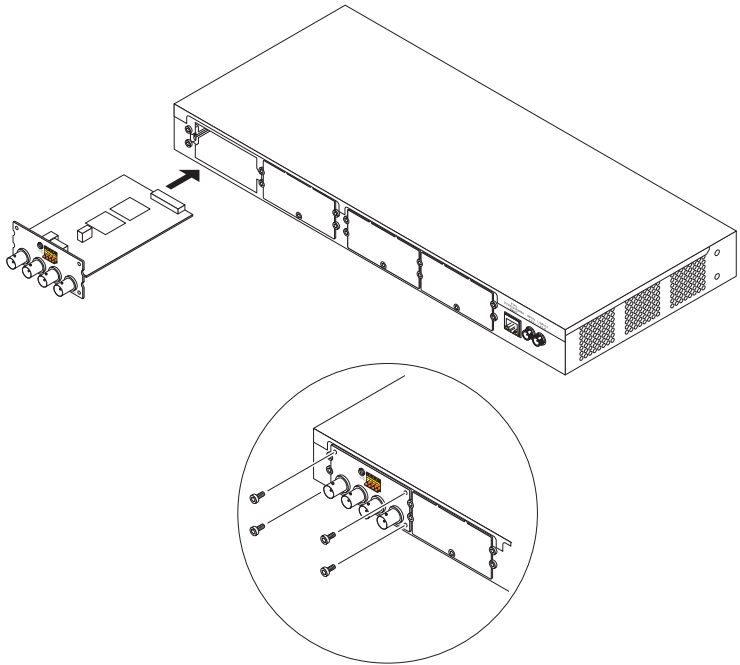
- VIP X1600 XFMD decoder module
- Plug-in connectors
- 4 screws for installation in VIP X1600 XF base
- Quick Installation Guide

# 1 Unpack the Box



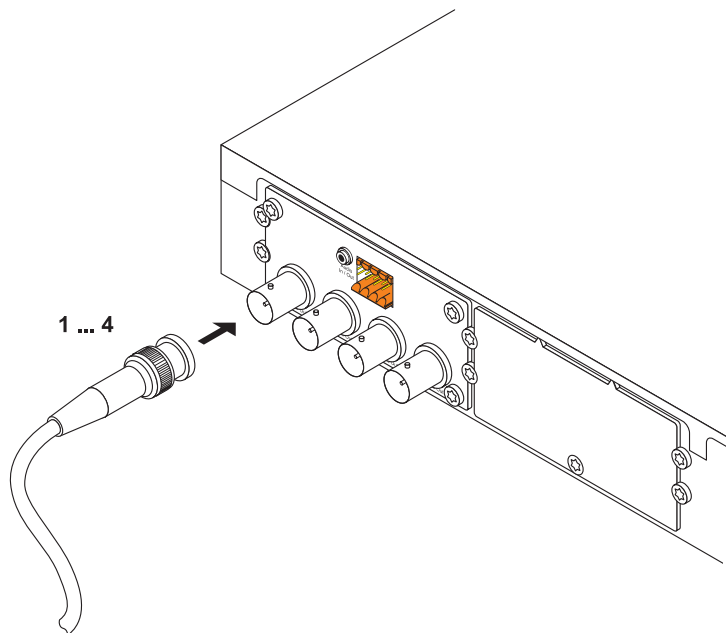
- Please check the delivery for completeness and integrity.
- Have your unit checked by Bosch Security Systems if you detect any damages!

## 2 Mount the Modules



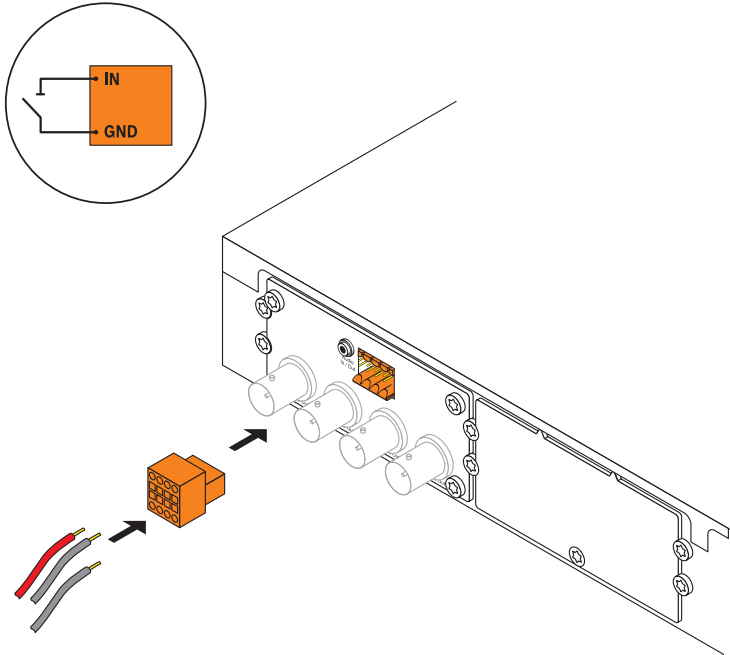
- Fit the module into the rails of the first slot and slide it in carefully as far as it will go. If the first slot is already equipped you can equip one of the other unused slots.
- First, remove the respective cover plate by unscrewing the screw and bending the cover plate upwards.
- Fit in the four screws provided and tighten them.
- After removing a module, the unused slot must be closed by means of a cover plate to provide proper ventilation.

### 3 Connect the Monitors



- Connect the monitors to the **Video Out 1** to **Video Out 4** sockets.

## 4 Alarm and Relay Connections



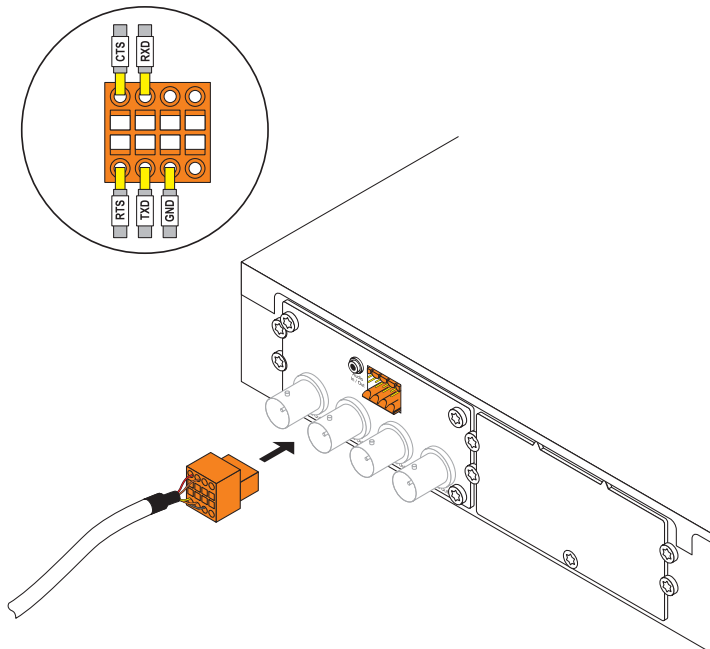
- Connect the alarm switches to the **IN** and **GND** terminals of the 8-pin terminal connector.
- Connect the relay connections to both **REL** terminals of the 8-pin terminal connector.
- Connect the terminal connector securely to the connector strip.



### CAUTION!

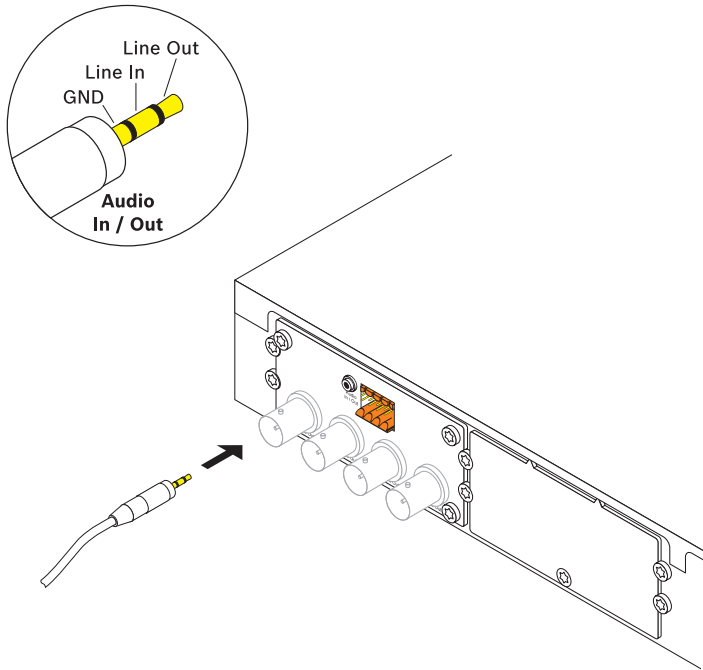
Maximum load for the relay contact is 30 V and 2 A.

## 5 Serial Interface



- Connect the leads of a serial connection to the respective terminals of the 8-pin terminal connector.

## 6 Audio Connections

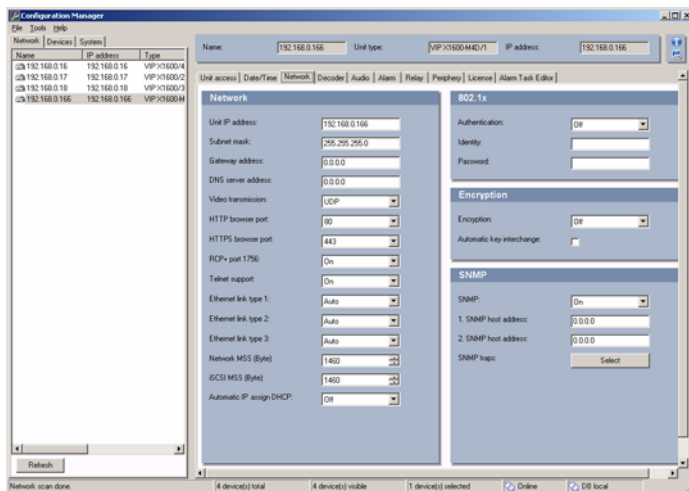


- For Line connections use the **Audio In / Out** jack.

<b>Line In:</b>	Impedance 9 kOhm typ., 5.5 V <sub>p-p</sub> max. input voltage
<b>Line Out:</b>	Impedance 16 Ohm min., 3 V <sub>p-p</sub> max. output voltage



## 7 Configure the IP Address



- If not already done install the program **Configuration Manager** from the product-CD. The product-CD is provided with the VIP X1600 XF base.
- Start **Configuration Manager** when the installation is completed. The network is scanned for compatible devices automatically.
- When the module is listed, click the entry and click the tab **Network**, located in the right frame.
- Enter the desired IP address (e.g. **192.168.0.116**) in the **Unit IP Address** field and click **Set** at the bottom on the right. The IP address will take effect after rebooting the unit.

## 8 Test the Configuration



- Launch the Web browser and enter the IP address of the module (e.g. **http://192.168.0.116**) to check that it is properly connected to the network.
- Use the links at the top of the Web pages to navigate.



### Note!

Set the graphics card of the computer to 16-bit or 32-bit color depth. Otherwise the computer cannot display the video images.



**Bosch Security Systems**

Robert-Koch-Straße 100

D-85521 Ottobrunn

Germany

Telefon 089 6290-0

Fax 089 6290-1020

**[www.bosch-securitysystems.com](http://www.bosch-securitysystems.com)**

© Bosch Security Systems, 2007