

# VIP XD – Network video server



Security Systems

EN | Quick Installation Guide  
Network Video Server

**BOSCH**



## Attention

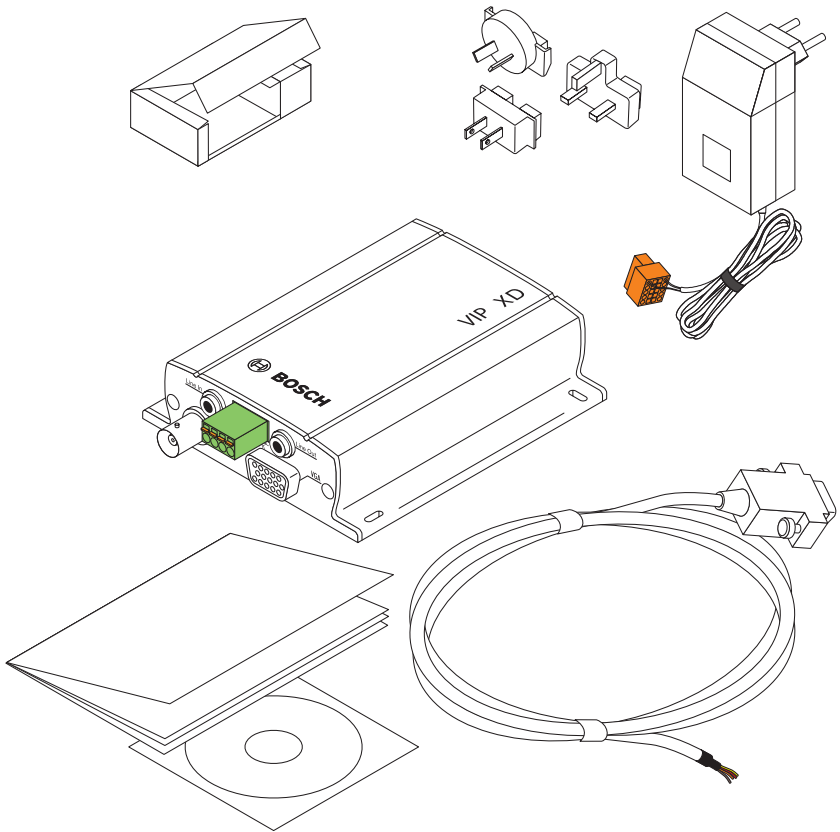
You should always make yourself familiar with the required safety measures in the corresponding chapter of the user's manual (see CD-ROM supplied). You will find more important details on the installation and on the operation of the unit in the manual. These instructions "Quick Installation Guide" only show the basic installation of a VIP XD, but they are no substitute for the complete user's manual.

These instructions "Quick Installation Guide" refer to the unit VIP XD, both in basic and in audio version. The title shows the basic version of the VIP XD. In the drawings the VIP XD in audio version is displayed standing for both versions.

## Contents of Delivery

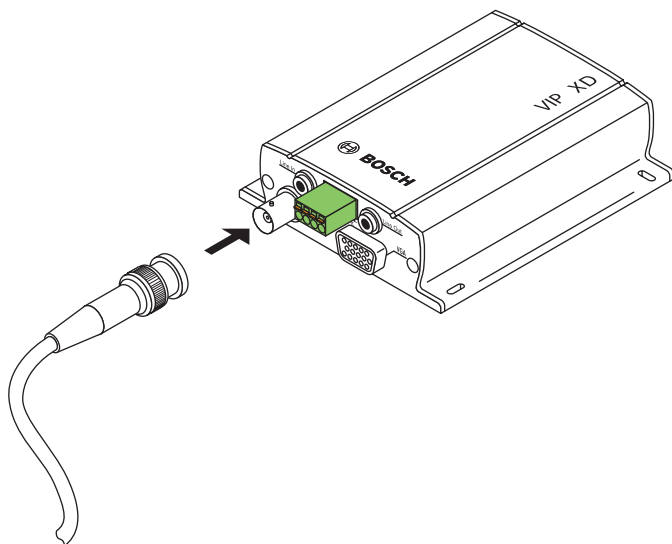
- VIP XD Network Video Server, basic version or audio version
- Power outlet with four primary adapters
- Configuration cable
- CD-ROM
- Quick Installation Guide

## 1. Unpack the Box



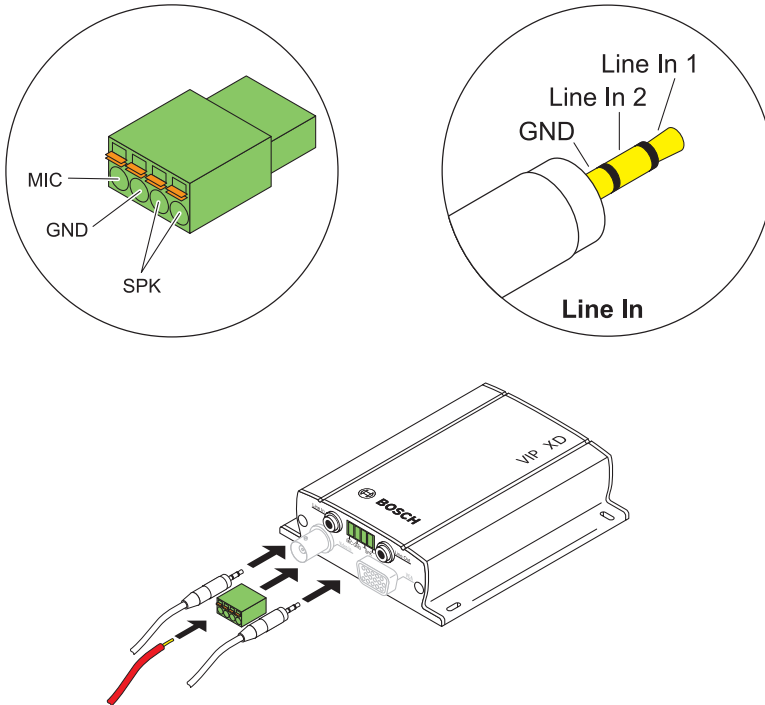
- Please check the delivery for completeness and integrity.
- Have your unit checked by Bosch Security Systems if you detect any damages!

## 2. Connect the Monitor



- Connect an analog monitor with the **Video Out** socket or a VGA monitor with the **VGA** socket.

### 3. Connect the Audio Components (Audio Versions Only)



**Line In:** 9 k $\Omega$  typ., 5.5 V<sub>p-p</sub> max.

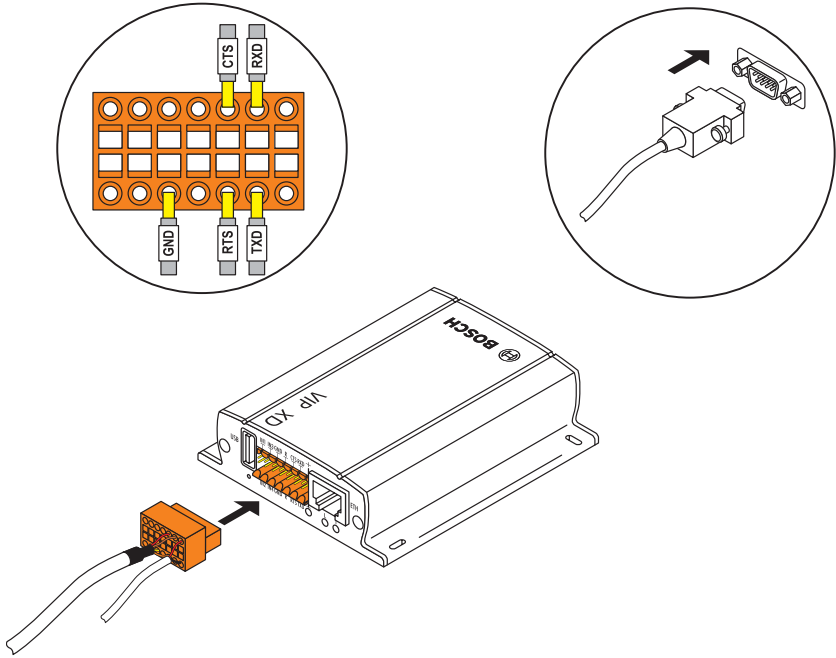
**Line Out:** 16  $\Omega$  min., 3 V<sub>p-p</sub> max.

**MIC:** 2 k $\Omega$  typ., 2.8 V<sub>p-p</sub> max., -20 dB, supply 2.3 V typ.

**SPK:** 4  $\Omega$  min., 6 V<sub>p-p</sub> max., power RMS 1 W

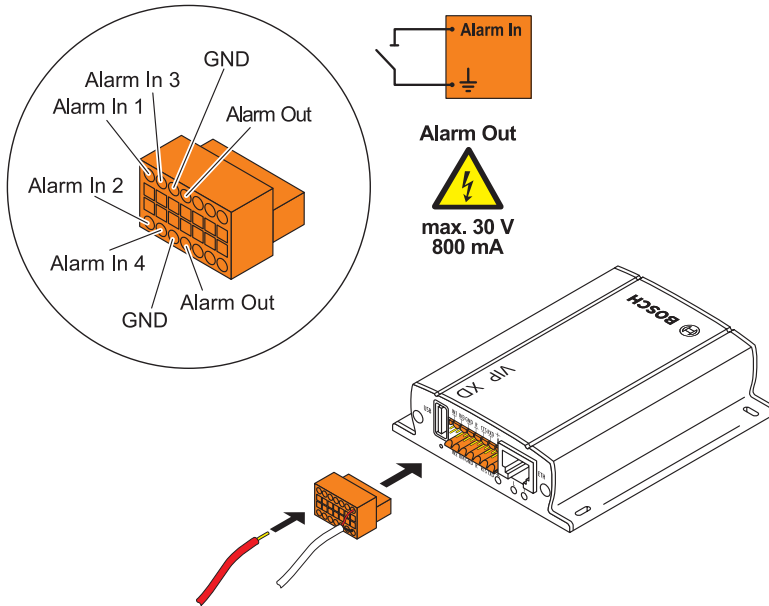
- Use the jack sockets for audio line connections.
- Connect the microphone and the speaker connection to the corresponding terminals.

## 4. Connect the Serial Connector



- If you need a serial connection to the unit connect the free leads of the configuration cable to the spring clamp connector that is already connected to the power outlet.
- Connect the spring clamp connector to the orange socket of the unit.
- Connect the configuration cable with a serial interface of the computer.

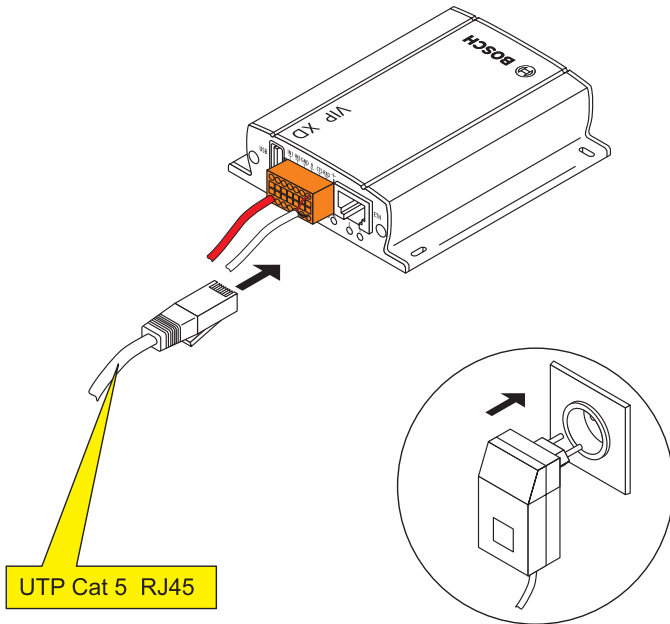
## 5. Connect the Alarm Switches and the Relay Connections



- Connect the alarm switches to the corresponding terminals.
- Connect the relay connections to the corresponding terminals.

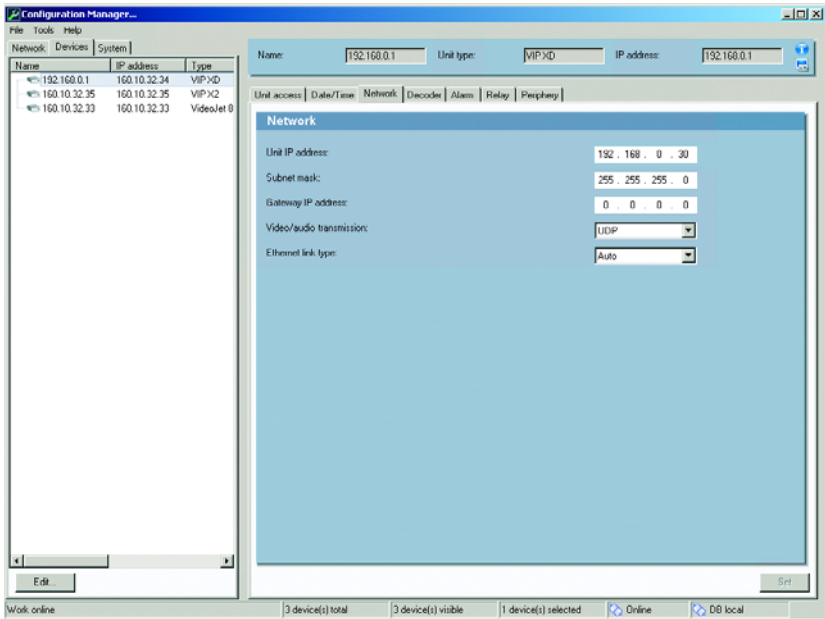


## 6. Connect to the Network



- Connect the unit to the network via th **ETH** socket.
- Make sure that the power outlet is provided with the correct primary adapter and plug the power outlet into a suitable mains outlet.

## 7. Configure the IP Address



- Install the program **Configuration Manager** from the CD-ROM provided. To do so start the **Setup.exe** file in the ...\**Configuration Manager** folder on the CD-ROM.
- Start the **Configuration Manager** when installation is completed. The network is scanned for compatible devices automatically.
- When a VIP XD is listed, click the entry and click the tab **Network**, located in the right frame.
- Enter the desired IP address (e.g. **192.168.0.30**) in the **Unit IP address** field and click the button **Set** at the bottom on the right. The new IP address is valid after a reboot of the unit.

## 8. Test the Configuration



- Start your web browser and enter the IP address of the respective unit as URL (e.g. **http://192.168.0.30**) to check that the unit is properly connected to the network.  
**Note:** The graphic adapter of your computer must be set to 16 bits or 32 bits color depth, otherwise the video pictures cannot be displayed.
- Use the links on top of the pages to navigate through the pages.

Bosch Sicherheitssysteme GmbH  
Robert-Koch-Straße 100  
85521 Ottobrunn  
Germany  
[www.bosch-sicherheitssysteme.de](http://www.bosch-sicherheitssysteme.de)

Bosch Security Systems B.V.  
P.O. Box 80002  
5600 JB Eindhoven  
The Netherlands  
[www.boschsecuritysystems.com](http://www.boschsecuritysystems.com)

© 2006 Bosch Sicherheitssysteme GmbH  
Subject to change. Printed in Germany.  
2503B/0506/QIG\_en/3d

**BOSCH**