

D9412GV3/D7412GV3



EN | Program Record Sheet
Control Panel



BOSCH

This Program Record Sheet contains the entries found in the new record of the **GV2MAIN, RADXUSR1, RADXUSR2, RADXPNTS, RADXSKED, GV2AUX, and RADXAXS** product handlers. It includes all custom options.



Please note that the D7212GV3 Control Panel has different capabilities and different programming requirements than the D9412GV3 and D7412GV3 Control Panels. Using this program record sheet to program a D7212GV3 might cause unexpected results. **Refer to the *D9412GV3/D7412GV3 Program Record Sheet (P/N: F01U143071)* when programming your D9412GV3 or D7412GV3 Control Panel.**

SUMMARY ACCOUNT INFORMATION

Subscriber Name	_____	Date	_____
Address	_____		
City / State / Zip	_____		
Premises Phone	_____		
Installer Name	_____	Record Name	_____
Control Panel Location	_____	Phone #	_____
Aux Power Current Load	_____ mA	AC Voltage	_____ VAC
Earth Ground Location	_____	Battery Voltage	_____ VDC
Transformer Location	_____	RJ31X/RJ38X	_____
Bell/Siren Locations	_____		

Area	Account #	Area Description
1	_____	_____

2	_____	_____

3	_____	_____

4	_____	_____

5	_____	_____

6	_____	_____

7	_____	_____

8	_____	_____

Default values are shown in () or in **bold**

GV2MAIN Handler

Panel Wide Parameters

Phone

Phone 1 _____
 Phone 2 _____
 Phone 3 _____
 Phone 4 _____

Phone Parameters

Modem Format	Yes / No	Alarm On Fail	Yes / No
Point/User Flag	Yes / No	Buzz On Fail	Yes / No
DTMF Dialing	Yes / No	Two Phone Lines	Yes / No
Phone Supv Time (Blank)	_____	Expand Test Rpt	Yes / No

Routing

Routing Options: Primary (Blank, 1 to 4), Backup (Blank, 1 to 4)

		Route 1	Route 2	Route 3	Route 4
Primary Device	(Blank)	_____	_____	_____	_____
Backup Device	(Blank)	_____	_____	_____	_____

View Events Yes / **No**

Fire Reports

	Route 1	Route 2	Route 3	Route 4
Fire Alarm	Yes / No	Yes / No	Yes / No	Yes / No
Fire Restoral* (After Alarm)	Yes / No	Yes / No	Yes / No	Yes / No
Fire Missing	Yes / No	Yes / No	Yes / No	Yes / No
Fire Trouble	Yes / No	Yes / No	Yes / No	Yes / No
Fire Supervision	Yes / No	Yes / No	Yes / No	Yes / No
Fire Restoral*	Yes / No	Yes / No	Yes / No	Yes / No
Fire Cancel	Yes / No	Yes / No	Yes / No	Yes / No
Fire Supervision Missing	Yes / No	Yes / No	Yes / No	Yes / No
Fire Supervision Restoral	Yes / No	Yes / No	Yes / No	Yes / No

Burglar Reports

Alarm Report	Yes / No	Yes / No	Yes / No	Yes / No
Burg Restore	Yes / No	Yes / No	Yes / No	Yes / No
Duress	Yes / No	Yes / No	Yes / No	Yes / No
Missing Alarm	Yes / No	Yes / No	Yes / No	Yes / No
User Code Tamper	Yes / No	Yes / No	Yes / No	Yes / No
Trouble Report**	Yes / No	Yes / No	Yes / No	Yes / No
Missing Trouble	Yes / No	Yes / No	Yes / No	Yes / No
Non-Fire Supervision	Yes / No	Yes / No	Yes / No	Yes / No
Point Bus Fail	Yes / No	Yes / No	Yes / No	Yes / No
Point Bus Restoral	Yes / No	Yes / No	Yes / No	Yes / No
Non-Fire Cancel	Yes / No	Yes / No	Yes / No	Yes / No
Alarm Restore	Yes / No	Yes / No	Yes / No	Yes / No
Supervision Missing	Yes / No	Yes / No	Yes / No	Yes / No
Unverified Event [†]	Yes / No	Yes / No	Yes / No	Yes / No

Routing Table continued on next page

* Restoral after Trb/Msg/Sup/Bypass. Refer to Fire Supervision Res Event Type prompt in GV2AUX for further programming information.

** Trouble Reports include Point Low Battery conditions from Premises RF Points.

† This event is available only with the D9412GV3 and is not reported using Contact ID format. Additionally, this event will not produce a corresponding Restoral event.

Heavy outline indicates parameters are available only when View Events is programmed **Yes**.

GV2MAIN Handler

Default values are shown in () or in **bold****Panel Wide Parameters (continued)****Routing (continued)**

User Reports	Route 1	Route 2	Route 3	Route 4
Point Bypass/Command Bypass	Yes / No	Yes / No	Yes / No	Yes / No
Forced Point	Yes / No	Yes / No	Yes / No	Yes / No
Point Opening	Yes / No	Yes / No	Yes / No	Yes / No
Point Closing	Yes / No	Yes / No	Yes / No	Yes / No
Was Force Armed	Yes / No	Yes / No	Yes / No	Yes / No
Fail To Open	Yes / No	Yes / No	Yes / No	Yes / No
Fail To Close	Yes / No	Yes / No	Yes / No	Yes / No
Extend Close Time	Yes / No	Yes / No	Yes / No	Yes / No
Opening Report	Yes / No	Yes / No	Yes / No	Yes / No
Forced Close	Yes / No	Yes / No	Yes / No	Yes / No
Closing Report	Yes / No	Yes / No	Yes / No	Yes / No
Forced Close Perim Instant	Yes / No	Yes / No	Yes / No	Yes / No
Forced Close Perim Delay	Yes / No	Yes / No	Yes / No	Yes / No
Perimeter Instant Armed	Yes / No	Yes / No	Yes / No	Yes / No
Perimeter Delay Armed	Yes / No	Yes / No	Yes / No	Yes / No
Send User Text	Yes / No	Yes / No	Yes / No	Yes / No

Test Reports

S: Alarm	Yes / No	Yes / No	Yes / No	Yes / No
S: Trouble	Yes / No	Yes / No	Yes / No	Yes / No
S: Supervision	Yes / No	Yes / No	Yes / No	Yes / No
Status Report	Yes / No	Yes / No	Yes / No	Yes / No
S: Open	Yes / No	Yes / No	Yes / No	Yes / No
S: Close	Yes / No	Yes / No	Yes / No	Yes / No
Test Report*	Yes / No	Yes / No	Yes / No	Yes / No
S: Perimeter Instant	Yes / No	Yes / No	Yes / No	Yes / No
S: Perimeter Delay	Yes / No	Yes / No	Yes / No	Yes / No
S: Fire Supervision	Yes / No	Yes / No	Yes / No	Yes / No
S: Fire Alarm	Yes / No	Yes / No	Yes / No	Yes / No
S: Fire Trouble	Yes / No	Yes / No	Yes / No	Yes / No
S: Missing Fire (Trouble)	Yes / No	Yes / No	Yes / No	Yes / No
S: Missing Burglary ((Trouble)	Yes / No	Yes / No	Yes / No	Yes / No
S: Missing Burglary (Alarm)	Yes / No	Yes / No	Yes / No	Yes / No
S: Fire Supervision Missing	Yes / No	Yes / No	Yes / No	Yes / No
S: Burglary Supervision Missing	Yes / No	Yes / No	Yes / No	Yes / No
S: Door Left Open	Yes / No	Yes / No	Yes / No	Yes / No

Routing Table continued on next page

* Refer to the D9412GV3/D7412GV3 Program Entry Guide (P/N: F01U143071) for additional information on how to generate off-normal test reports.

Default values are shown in () or in **bold**

GV2MAIN Handler

Panel Wide Parameters (continued)**Routing (continued)**

Diagnostic Reports	Route 1	Route 2	Route 3	Route 4
SDI Device Failure	Yes / No	Yes / No	Yes / No	Yes / No
SDI Device Restoral	Yes / No	Yes / No	Yes / No	Yes / No
Watchdog Reset	Yes / No	Yes / No	Yes / No	Yes / No
Parameter Checksum Fail	Yes / No	Yes / No	Yes / No	Yes / No
Reboot	Yes / No	Yes / No	Yes / No	Yes / No
Phone Line Fail	Yes / No	Yes / No	Yes / No	Yes / No
Phone Line Restoral	Yes / No	Yes / No	Yes / No	Yes / No
AC Failure	Yes / No	Yes / No	Yes / No	Yes / No
AC Restoral	Yes / No	Yes / No	Yes / No	Yes / No
Battery Missing	Yes / No	Yes / No	Yes / No	Yes / No
Battery Low	Yes / No	Yes / No	Yes / No	Yes / No
Battery Restoral	Yes / No	Yes / No	Yes / No	Yes / No
Route Comm Fail	Yes / No	Yes / No	Yes / No	Yes / No
Route Comm Restore	Yes / No	Yes / No	Yes / No	Yes / No
Checksum Fail	Yes / No	Yes / No	Yes / No	Yes / No
Network Fail	Yes / No	Yes / No	Yes / No	Yes / No
Network Restoral	Yes / No	Yes / No	Yes / No	Yes / No
Network Condition	Yes / No	Yes / No	Yes / No	Yes / No

Relay Reports

Sensor Reset	Yes / No	Yes / No	Yes / No	Yes / No
Relay Set	Yes / No	Yes / No	Yes / No	Yes / No
Relay Reset	Yes / No	Yes / No	Yes / No	Yes / No

Auto Function Reports

Sked Executed	Yes / No	Yes / No	Yes / No	Yes / No
Sked Changed	Yes / No	Yes / No	Yes / No	Yes / No
Fail to Execute	Yes / No	Yes / No	Yes / No	Yes / No

RPS Reports

Event Log Threshold	Yes / No	Yes / No	Yes / No	Yes / No
Event Log Overflow	Yes / No	Yes / No	Yes / No	Yes / No
Parameters Changed	Yes / No	Yes / No	Yes / No	Yes / No
RPS Access OK	Yes / No	Yes / No	Yes / No	Yes / No
RPS Access Fail	Yes / No	Yes / No	Yes / No	Yes / No
Remote Reset	Yes / No	Yes / No	Yes / No	Yes / No
Program Access OK	Yes / No	Yes / No	Yes / No	Yes / No
Program Access Fail	Yes / No	Yes / No	Yes / No	Yes / No

Point Reports

Service Start	Yes / No	Yes / No	Yes / No	Yes / No
Service End	Yes / No	Yes / No	Yes / No	Yes / No
Fire Walk Start	Yes / No	Yes / No	Yes / No	Yes / No
Fire Walk End	Yes / No	Yes / No	Yes / No	Yes / No
Walk Test Start	Yes / No	Yes / No	Yes / No	Yes / No
Walk Test End	Yes / No	Yes / No	Yes / No	Yes / No
Extra Point	Yes / No	Yes / No	Yes / No	Yes / No
Send Point Text	Yes / No	Yes / No	Yes / No	Yes / No
RF Low Battery	Yes / No	Yes / No	Yes / No	Yes / No
RF Low Battery Restore	Yes / No	Yes / No	Yes / No	Yes / No

Routing Table continued on next page

GV2MAIN Handler

Default values are shown in () or in **bold**

Panel Wide Parameters (continued)

Routing (continued)

User Change Reports	Route 1	Route 2	Route 3	Route 4
Date Changed	Yes / No	Yes / No	Yes / No	Yes / No
Time Changed	Yes / No	Yes / No	Yes / No	Yes / No
Delete User	Yes / No	Yes / No	Yes / No	Yes / No
User Code Change	Yes / No	Yes / No	Yes / No	Yes / No
Area Watch	Yes / No	Yes / No	Yes / No	Yes / No
Card Assigned	Yes / No	Yes / No	Yes / No	Yes / No
Change Level	Yes / No	Yes / No	Yes / No	Yes / No

Access Reports

Access Granted	Yes / No	Yes / No	Yes / No	Yes / No
No Entry	Yes / No	Yes / No	Yes / No	Yes / No
Door Left Open	Yes / No	Yes / No	Yes / No	Yes / No
Cycle Door	Yes / No	Yes / No	Yes / No	Yes / No
Door Unlocked	Yes / No	Yes / No	Yes / No	Yes / No
Door Secure	Yes / No	Yes / No	Yes / No	Yes / No
Door Request	Yes / No	Yes / No	Yes / No	Yes / No
Door Locked	Yes / No	Yes / No	Yes / No	Yes / No

Enhanced Routing

RG1 Primary SDI 88	Yes / No
RG1 Backup SDI 88	Yes / No
RG1 Primary SDI 92	Yes / No
RG1 Backup SDI 92	Yes / No
RG1 Primary Pager	Yes / No
RG2 Primary SDI 88	Yes / No
RG2 Backup SDI 88	Yes / No
RG2 Primary SDI 92	Yes / No
RG2 Backup SDI 92	Yes / No
RG2 Primary Pager	Yes / No
RG3 Primary SDI 88	Yes / No
RG3 Backup SDI 88	Yes / No
RG3 Primary SDI 92	Yes / No
RG3 Backup SDI 92	Yes / No
RG3 Primary Pager	Yes / No
RG4 Primary SDI 88	Yes / No
RG4 Backup SDI 88	Yes / No
RG4 Primary SDI 92	Yes / No
RG4 Backup SDI 92	Yes / No
RG4 Primary Pager	Yes / No

Power Supervision

AC Fail Time*	(1)	_____
AC Fail Display*	(60)	_____
AC Fail/Res Rpt		Yes / No
AC Tag Along		Yes / No
AC/Battery Buzz		Yes / No
Bat Fail/Res Rpt		Yes / No

* Refer to the D9412GV3/D7412GV3 Program Entry Guide (P/N: F01U143071) for the AC Fail Time and AC Fail Display intervals.

Default values are shown in () or in **bold**

GV2MAIN Handler

Panel Wide Parameters (continued)

Printer Parameters

	Address #17	Address #18 [†]	Address #19 [†]
Area Assignment Supervision Scope* (1)	Yes / No	Yes / No	Yes / No
Area 1 in Scope	Yes / No	Yes / No	Yes / No
Area 2 in Scope	Yes / No	Yes / No	Yes / No
Area 3 in Scope	Yes / No	Yes / No	Yes / No
Area 4 in Scope	Yes / No	Yes / No	Yes / No
Area 5 in Scope	Yes / No	Yes / No	Yes / No
Area 6 in Scope	Yes / No	Yes / No	Yes / No
Area 7 in Scope	Yes / No	Yes / No	Yes / No
Area 8 in Scope	Yes / No	Yes / No	Yes / No
Fire Events	Yes / No	Yes / No	Yes / No
Burglar Events	Yes / No	Yes / No	Yes / No
Access Events	Yes / No	Yes / No	Yes / No
User Events	Yes / No	Yes / No	Yes / No
Test Events	Yes / No	Yes / No	Yes / No
Diagnostic Events	Yes / No	Yes / No	Yes / No
Auto Function Events	Yes / No	Yes / No	Yes / No
RPS Events	Yes / No	Yes / No	Yes / No
Relay Events	Yes / No	Yes / No	Yes / No
Point Events	Yes / No	Yes / No	Yes / No
User Change Events	Yes / No	Yes / No	Yes / No

* Scope Options: Account, Area, Panel-Wide, Custom, No Printer (Default = No Printer)

† Addresses 18 and 19 are available with the D9412GV3 only.



Double outline indicates parameters are individually programmable only when Scope is programmed CUSTOM.

RPS Parameters

RPS Passcode (999999) _____
 Log % Full (Blank) _____
 RPS Call Back Yes / No
 RPS Line Monitor **Yes / No**
 Answer Armed (7) _____
 Answer Disarmed (7) _____
 RPS Phone: _____

Miscellaneous

Duress Type **0, 1, 2, or 3**
 Cancel Reports **Yes / No**

GV2MAIN Handler

Default values are shown in () or in **bold**

Area Wide Parameters

Area Parameters

	Area 1	Area 2	Area 3	Area 4	Area 5	Area 6	Area 7	Area 8
Area On	Yes / No	Yes / No	Yes / No	Yes / No	Yes / No	Yes / No	Yes / No	Yes / No
Account Number (0000)	_____	_____	_____	_____	_____	_____	_____	_____
FA Bypass Max (1)	_____	_____	_____	_____	_____	_____	_____	_____
Delay Res	Yes / No	Yes / No	Yes / No	Yes / No	Yes / No	Yes / No	Yes / No	Yes / No
Exit Tone	Yes / No	Yes / No	Yes / No	Yes / No	Yes / No	Yes / No	Yes / No	Yes / No
Exit Dly Time (60)	_____	_____	_____	_____	_____	_____	_____	_____
Auto Watch	Yes / No	Yes / No	Yes / No	Yes / No	Yes / No	Yes / No	Yes / No	Yes / No
Verify Time (60)	_____	_____	_____	_____	_____	_____	_____	_____
Duress Enable	Yes / No	Yes / No	Yes / No	Yes / No	Yes / No	Yes / No	Yes / No	Yes / No
Area Type* (Regular)	_____	_____	_____	_____	_____	_____	_____	_____
Two-Man Rule	Yes / No	Yes / No	Yes / No	Yes / No	Yes / No	Yes / No	Yes / No	Yes / No
Early Ambush	Yes / No	Yes / No	Yes / No	Yes / No	Yes / No	Yes / No	Yes / No	Yes / No
Exit Restart	Yes / No	Yes / No	Yes / No	Yes / No	Yes / No	Yes / No	Yes / No	Yes / No
Arm No Exit	Yes / No	Yes / No	Yes / No	Yes / No	Yes / No	Yes / No	Yes / No	Yes / No
Exit Warning	Yes / No	Yes / No	Yes / No	Yes / No	Yes / No	Yes / No	Yes / No	Yes / No
Entry Warning	Yes / No	Yes / No	Yes / No	Yes / No	Yes / No	Yes / No	Yes / No	Yes / No

* Area Type options: Regular / Master / Assoc / Shared

Bell Parameters

	Area 1	Area 2	Area 3	Area 4	Area 5	Area 6	Area 7	Area 8
Fire Time (6)	_____	_____	_____	_____	_____	_____	_____	_____
Fire Pattern** (Pulse)	_____	_____	_____	_____	_____	_____	_____	_____
Burg Time (6)	_____	_____	_____	_____	_____	_____	_____	_____
Burg Pattern** (Steady)	_____	_____	_____	_____	_____	_____	_____	_____
Single Ring	Yes / No	Yes / No	Yes / No	Yes / No	Yes / No	Yes / No	Yes / No	Yes / No
Bell Test	Yes / No	Yes / No	Yes / No	Yes / No	Yes / No	Yes / No	Yes / No	Yes / No

** Pattern options: Steady / Pulse March Time / CA Standard / Temporal Code 3

Open/Close Options

	Area 1	Area 2	Area 3	Area 4	Area 5	Area 6	Area 7	Area 8
Acct O/C	Yes / No	Yes / No	Yes / No	Yes / No	Yes / No	Yes / No	Yes / No	Yes / No
Area O/C	Yes / No	Yes / No	Yes / No	Yes / No	Yes / No	Yes / No	Yes / No	Yes / No
Disable O/C in Window	Yes / No	Yes / No	Yes / No	Yes / No	Yes / No	Yes / No	Yes / No	Yes / No
Auto Close	Yes / No	Yes / No	Yes / No	Yes / No	Yes / No	Yes / No	Yes / No	Yes / No
Fail To Open	Yes / No	Yes / No	Yes / No	Yes / No	Yes / No	Yes / No	Yes / No	Yes / No
Fail To Close	Yes / No	Yes / No	Yes / No	Yes / No	Yes / No	Yes / No	Yes / No	Yes / No
Latest Close Time	00:00	00:00	00:00	00:00	00:00	00:00	00:00	00:00
Restricted O/C	Yes / No	Yes / No	Yes / No	Yes / No	Yes / No	Yes / No	Yes / No	Yes / No
Perimeter O/C	Yes / No	Yes / No	Yes / No	Yes / No	Yes / No	Yes / No	Yes / No	Yes / No

Default values are shown in () or in **bold**

GV2MAIN Handler


Keypad (Command Center)

Keypad Assignments

	Address 1	Address 2	Address 3	Address 4	Address 5	Address 6	Address 7	Address 8
Supervision	Yes / No	Yes / No	Yes / No	Yes / No	Yes / No	Yes / No	Yes / No	Yes / No
Area Assigned (1) Scope ¹	_____	_____	_____	_____	_____	_____	_____	_____
Area 1 in Scope	Yes / No	Yes / No	Yes / No	Yes / No	Yes / No	Yes / No	Yes / No	Yes / No
Area 2 in Scope	Yes / No	Yes / No	Yes / No	Yes / No	Yes / No	Yes / No	Yes / No	Yes / No
Area 3 in Scope	Yes / No	Yes / No	Yes / No	Yes / No	Yes / No	Yes / No	Yes / No	Yes / No
Area 4 in Scope	Yes / No	Yes / No	Yes / No	Yes / No	Yes / No	Yes / No	Yes / No	Yes / No
Area 5 in Scope	Yes / No	Yes / No	Yes / No	Yes / No	Yes / No	Yes / No	Yes / No	Yes / No
Area 6 in Scope	Yes / No	Yes / No	Yes / No	Yes / No	Yes / No	Yes / No	Yes / No	Yes / No
Area 7 in Scope	Yes / No	Yes / No	Yes / No	Yes / No	Yes / No	Yes / No	Yes / No	Yes / No
Area 8 in Scope	Yes / No	Yes / No	Yes / No	Yes / No	Yes / No	Yes / No	Yes / No	Yes / No
Passcode Follows Scope	Yes / No	Yes / No	Yes / No	Yes / No	Yes / No	Yes / No	Yes / No	Yes / No
Enter Key Relay (Blank)	_____	_____	_____	_____	_____	_____	_____	_____
Enter Key Cycle Door	Yes / No	Yes / No	Yes / No	Yes / No	Yes / No	Yes / No	Yes / No	Yes / No
Assign Door (Blank)	_____	_____	_____	_____	_____	_____	_____	_____
Trouble Tone	Yes / No	Yes / No	Yes / No	Yes / No	Yes / No	Yes / No	Yes / No	Yes / No
Entry Tone	Yes / No	Yes / No	Yes / No	Yes / No	Yes / No	Yes / No	Yes / No	Yes / No
Exit Tone	Yes / No	Yes / No	Yes / No	Yes / No	Yes / No	Yes / No	Yes / No	Yes / No
Arm Area Warning Tone	Yes / No	Yes / No	Yes / No	Yes / No	Yes / No	Yes / No	Yes / No	Yes / No
Close Door Warning Tone	Yes / No	Yes / No	Yes / No	Yes / No	Yes / No	Yes / No	Yes / No	Yes / No
Enhanced Cmd Ctr ²	Yes / No	Yes / No	Yes / No	Yes / No	Yes / No	Yes / No	Yes / No	Yes / No
Idle Scroll Lock	Yes / No	Yes / No	Yes / No	Yes / No	Yes / No	Yes / No	Yes / No	Yes / No
Menu Key Lock	Yes / No	Yes / No	Yes / No	Yes / No	Yes / No	Yes / No	Yes / No	Yes / No
Abort Display	Yes / No	Yes / No	Yes / No	Yes / No	Yes / No	Yes / No	Yes / No	Yes / No
Cancel Display	Yes / No	Yes / No	Yes / No	Yes / No	Yes / No	Yes / No	Yes / No	Yes / No

¹ Scope Options: Account, Area, Panel-Wide, Custom, No Keypad. Default Address 1 = Panel-Wide; Address 2 to 8 = No Keypad.

² Set Enhanced Cmd Ctr (keypad) prompt to Yes if a D1260 Alpha V Command Center (Keypad) is installed at this address.

 Double outline indicates parameters are individually programmable only when Scope is programmed CUSTOM.

Keypad (Command Center) Installation Locations

1	9	17	25
2	10	18	26
3	11	19	27
4	12	20	28
5	13	21	29
6	14	22	30
7	15	23	31
8	16	24	32

GV2MAIN Handler

Default values are shown in () or in **bold**

Keypad (continued)

Area Text

Area 1		
Area # Is On	(A1 AREA 1 IS ON)	_____
Area # Not Ready	(A1 NOT READY)	_____
Area # Is Off	(A1 AREA 1 IS OFF)	_____
Area # Acct Is On	(A1 ACCOUNT IS ON)	_____
Area 2		
Area # Is On	(A2 AREA 2 IS ON)	_____
Area # Not Ready	(A2 NOT READY)	_____
Area # Is Off	(A2 AREA 2 IS OFF)	_____
Area # Acct Is On	(A2 ACCOUNT IS ON)	_____
Area 3		
Area # Is On	(A3 AREA 3 IS ON)	_____
Area # Not Ready	(A3 NOT READY)	_____
Area # Is Off	(A3 AREA 3 IS OFF)	_____
Area # Acct Is On	(A3 ACCOUNT IS ON)	_____
Area 4		
Area # Is On	(A4 AREA 4 IS ON)	_____
Area # Not Ready	(A4 NOT READY)	_____
Area # Is Off	(A4 AREA 4 IS OFF)	_____
Area # Acct Is On	(A4 ACCOUNT IS ON)	_____
Area 5		
Area # Is On	(A5 AREA 5 IS ON)	_____
Area # Not Ready	(A5 NOT READY)	_____
Area # Is Off	(A5 AREA 5 IS OFF)	_____
Area # Acct Is On	(A5 ACCOUNT IS ON)	_____
Area 6		
Area # Is On	(A6 AREA 6 IS ON)	_____
Area # Not Ready	(A6 NOT READY)	_____
Area # Is Off	(A6 AREA 6 IS OFF)	_____
Area # Acct Is On	(A6 ACCOUNT IS ON)	_____
Area 7		
Area # Is On	(A7 AREA 7 IS ON)	_____
Area # Not Ready	(A7 NOT READY)	_____
Area # Is Off	(A7 AREA 7 IS OFF)	_____
Area # Acct Is On	(A7 ACCOUNT IS ON)	_____
Area 8		
Area # Is On	(A8 AREA 8 IS ON)	_____
Area # Not Ready	(A8 NOT READY)	_____
Area # Is Off	(A8 AREA 8 IS OFF)	_____
Area # Acct Is On	(A8 ACCOUNT IS ON)	_____

Default values are shown in () or in **bold**

GV2MAIN Handler

Keypad (continued)

Custom Functions

CF 128	Text	_____
	Key Strokes ¹	_____
CF 129	Text	_____
	Key Strokes ¹	_____
CF 130	Text	_____
	Key Strokes ¹	_____
CF 131	Text	_____
	Key Strokes ¹	_____
CF 132 ²	Text	_____
	Key Strokes ¹	_____
CF 133 ²	Text	_____
	Key Strokes ¹	_____
CF 134 ²	Text	_____
	Key Strokes ¹	_____
CF 135 ²	Text	_____
	Key Strokes ¹	_____
CF 136 ²	Text	_____
	Key Strokes ¹	_____
CF 137 ²	Text	_____
	Key Strokes ¹	_____
CF 138 ²	Text	_____
	Key Strokes ¹	_____
CF 139 ²	Text	_____
	Key Strokes ¹	_____
CF 140 ²	Text	_____
	Key Strokes ¹	_____
CF 141 ²	Text	_____
	Key Strokes ¹	_____
CF 142 ²	Text	_____
	Key Strokes ¹	_____
CF 143 ²	Text	_____
	Key Strokes ¹	_____

1 Refer to *Table 1* on page 12 for keystroke options.

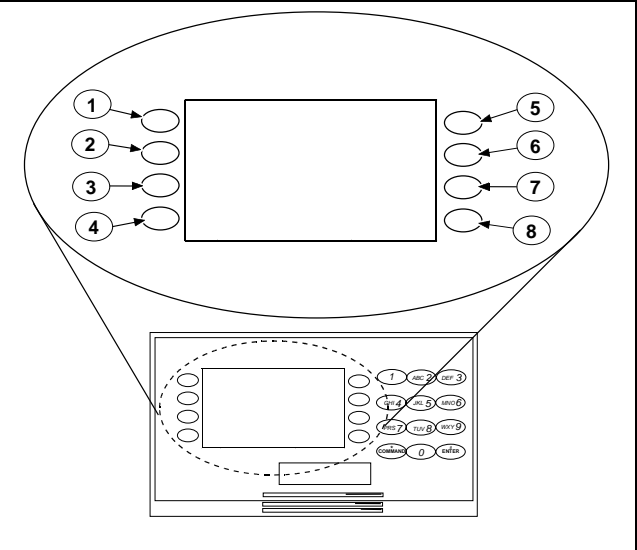
2 Custom Functions CF 132 and higher are available with the D9412GV3 only.


Keypad (continued)

Custom Functions (continued)

Default:	Up to 32 characters: 0 to 9, A, B, C, D, E	
Selection:		
Selection	D1255 Key	D1260 Key
0 to 9	0 to 9	0 to 9
A	[COMMAND]	[COMMAND]
B	[PREV] (previous)	NA
C	[ESC] (escape)	NA
D	[NEXT]	NA
E	[ENT] (enter)	[#ENTER]
C1	NA	(softkey 1)
C2	NA	(softkey 2)
C3	NA	(softkey 3)
C4	NA	(softkey 4)
C5	NA	(softkey 5)
C6	NA	(softkey 6)
C7	NA	(softkey 7)
C8	NA	(softkey 8)

Figure 1: Softkey Positions on the D1260 and D1260B Keypads



 In *Table 1* and *Table 2*, “D1255” includes D1255, D1255B, D1255RB, D1256, D1256RB, D1257, and D1257RB. “D1260” includes D1260 and D1260B.

- | | |
|--------------------|--------------------|
| 1 - Softkey 1 (C1) | 5 - Softkey 5 (C5) |
| 2 - Softkey 2 (C2) | 6 - Softkey 6 (C6) |
| 3 - Softkey 3 (C3) | 7 - Softkey 7 (C7) |
| 4 - Softkey 4 (C4) | 8 - Softkey 8 (C8) |

Command	Key Strokes	Command	Key Strokes
1 Master Arm Area	A19	7 Special Alert	A79
2 Perimeter Instant Arm	A29	8 Perimeter Partial Arm	A89
3 Perimeter Delay Arm	A39	9 Special Alert	A99
6 Watch Mode	A69	0 Bypass a Point	A09

GV2MAIN Handler

Default values are shown in () or in **bold**

User Interface (continued)

Keypad Functions			Authority Levels [†]														
#	Custom Functions	E/P*	1	2	3	4	5	6	7	8	9	10	11	12	13	14	15
128	Custom Function 128	P	E														
129	Custom Function 129	P	E														
130	Custom Function 130	P	E														
131	Custom Function 131	P	E														
132	Custom Function 132**	P	E														
133	Custom Function 133**	P	E														
134	Custom Function 134**	P	E														
135	Custom Function 135**	P	E														
136	Custom Function 136**	P	E														
137	Custom Function 137**	P	E														
138	Custom Function 138**	P	E														
139	Custom Function 139**	P	E														
140	Custom Function 140**	P	E														
141	Custom Function 141**	P	E														
142	Custom Function 142**	P	E														
143	Custom Function 143**	P	E														

* Keypad Function options: P = Passcode required, E = Enabled (no Passcode required), Blank = Disabled.

† Authority Level options: E = Enabled, Blank = Disabled.

** Custom Functions No.132 and higher available with the D9412GV3 only.

█ Solid box indicates parameter is not user programmable.

#	Report Levels	Authority Levels [†]															
#	Report Levels	1	2	3	4	5	6	7	8	9	10	11	12	13	14	15	
█	Force Arm ?	E	E	E	E	E	E										
█	Area O/C ?																
█	Restricted O/C ?																
█	Perimeter O/C ?																
█	Send Duress ?															E	
█	Passcode Arm ?	E	E	E	E	E	E										
█	Passcode Disarm ?	E	E	E	E	E										E	

† Authority Level options: E = Enabled, Blank = Disabled.

█ Solid box indicates parameter is not user programmable.

#	Access Levels	Authority Levels															
#	Access Levels	1	2	3	4	5	6	7	8	9	10	11	12	13	14	15	
█	Security Level ?*	M	M	P	P	P	D										
█	Disarm Level ?**	I	D	D	D	D											
█	Function Level? ***	D															

* Security Level options for Authority Levels: M = Any Armed State, P = Perimeter Armed, D = Disarmed, Blank = No Access

** Disarm Level options for Authority Levels: I = Disarm to Perimeter Instant, D = Disarm All, Blank = No Disarm Rights

*** Function Level options for Authority Levels: M = While Master Armed, D = Disarmed, C = Both M and D, blank = none

Default values are shown in () or in **bold**

GV2MAIN Handler

Function List

Menu Item	Function	CC* Address 1	CC* Address 2	CC* Address 3	CC* Address 4	CC* Address 5	CC* Address 6	CC* Address 7	CC* Address 8
1	(6) _ _ _ _	Yes/No	Yes/No	Yes/No	Yes/No	Yes/No	Yes/No	Yes/No	Yes/No
2	(27) _ _ _ _	Yes/No	Yes/No	Yes/No	Yes/No	Yes/No	Yes/No	Yes/No	Yes/No
3	(29) _ _ _ _	Yes/No	Yes/No	Yes/No	Yes/No	Yes/No	Yes/No	Yes/No	Yes/No
4	(11) _ _ _ _	Yes/No	Yes/No	Yes/No	Yes/No	Yes/No	Yes/No	Yes/No	Yes/No
5	(15) _ _ _ _	Yes/No	Yes/No	Yes/No	Yes/No	Yes/No	Yes/No	Yes/No	Yes/No
6	(16) _ _ _ _	Yes/No	Yes/No	Yes/No	Yes/No	Yes/No	Yes/No	Yes/No	Yes/No
7	(17) _ _ _ _	Yes/No	Yes/No	Yes/No	Yes/No	Yes/No	Yes/No	Yes/No	Yes/No
8	(18) _ _ _ _	Yes/No	Yes/No	Yes/No	Yes/No	Yes/No	Yes/No	Yes/No	Yes/No
9	(19) _ _ _ _	Yes/No	Yes/No	Yes/No	Yes/No	Yes/No	Yes/No	Yes/No	Yes/No
10	(25) _ _ _ _	Yes/No	Yes/No	Yes/No	Yes/No	Yes/No	Yes/No	Yes/No	Yes/No
11	(26) _ _ _ _	Yes/No	Yes/No	Yes/No	Yes/No	Yes/No	Yes/No	Yes/No	Yes/No
12	(9) _ _ _ _	Yes/No	Yes/No	Yes/No	Yes/No	Yes/No	Yes/No	Yes/No	Yes/No
13	(10) _ _ _ _	Yes/No	Yes/No	Yes/No	Yes/No	Yes/No	Yes/No	Yes/No	Yes/No
14	(8) _ _ _ _	Yes/No	Yes/No	Yes/No	Yes/No	Yes/No	Yes/No	Yes/No	Yes/No
15	_ _ _ _	Yes/No	Yes/No	Yes/No	Yes/No	Yes/No	Yes/No	Yes/No	Yes/No
16	_ _ _ _	Yes/No	Yes/No	Yes/No	Yes/No	Yes/No	Yes/No	Yes/No	Yes/No
17	_ _ _ _	Yes/No	Yes/No	Yes/No	Yes/No	Yes/No	Yes/No	Yes/No	Yes/No
18	_ _ _ _	Yes/No	Yes/No	Yes/No	Yes/No	Yes/No	Yes/No	Yes/No	Yes/No
19	_ _ _ _	Yes/No	Yes/No	Yes/No	Yes/No	Yes/No	Yes/No	Yes/No	Yes/No
20	_ _ _ _	Yes/No	Yes/No	Yes/No	Yes/No	Yes/No	Yes/No	Yes/No	Yes/No
21	_ _ _ _	Yes/No	Yes/No	Yes/No	Yes/No	Yes/No	Yes/No	Yes/No	Yes/No
22	_ _ _ _	Yes/No	Yes/No	Yes/No	Yes/No	Yes/No	Yes/No	Yes/No	Yes/No
23	_ _ _ _	Yes/No	Yes/No	Yes/No	Yes/No	Yes/No	Yes/No	Yes/No	Yes/No
24	_ _ _ _	Yes/No	Yes/No	Yes/No	Yes/No	Yes/No	Yes/No	Yes/No	Yes/No
25	_ _ _ _	Yes/No	Yes/No	Yes/No	Yes/No	Yes/No	Yes/No	Yes/No	Yes/No
26	_ _ _ _	Yes/No	Yes/No	Yes/No	Yes/No	Yes/No	Yes/No	Yes/No	Yes/No
27	_ _ _ _	Yes/No	Yes/No	Yes/No	Yes/No	Yes/No	Yes/No	Yes/No	Yes/No
28	_ _ _ _	Yes/No	Yes/No	Yes/No	Yes/No	Yes/No	Yes/No	Yes/No	Yes/No
29	_ _ _ _	Yes/No	Yes/No	Yes/No	Yes/No	Yes/No	Yes/No	Yes/No	Yes/No
30	_ _ _ _	Yes/No	Yes/No	Yes/No	Yes/No	Yes/No	Yes/No	Yes/No	Yes/No
31	_ _ _ _	Yes/No	Yes/No	Yes/No	Yes/No	Yes/No	Yes/No	Yes/No	Yes/No
32	_ _ _ _	Yes/No	Yes/No	Yes/No	Yes/No	Yes/No	Yes/No	Yes/No	Yes/No

* CC = Keypad

GV2MAIN Handler

Default values are shown in () or in **bold**

Relay Parameters

Area Relays

	AREA							
	1	2	3	4	5	6	7	8
Alarm Bell*	A	A	A	A	A	A	A	A
Fire Bell*	A	A	A	A	A	A	A	A
Reset Sensors*	C	C	C	C	C	C	C	C
Fail To Close								
Force Armed								
Watch Mode*								
Area Armed*								
Area Fault								
Duress Relay*								
Perim Fault								
Silent Alarm								

Panel Wide Relays

AC Failure	_____
Battery Trouble	_____
Phone Fail	_____
Comm Fail	_____
Log % Full	_____
Summary Fire	_____
Summary Alarm	_____
Summary Fire Trouble	_____
Summary Supv Fire	_____
Summary Trouble	_____
Summary Supv Burg	_____

* The same relay can be shared between areas and functions. Use a different relay for each area and/or function unless indicated by an asterisk (*).

Relay #, Description	Relay #, Description	Relay #, Description	Relay #, Description
A	31	64	97 [†]
B	32	65 [†]	98 [†]
C	33	66 [†]	99 [†]
1	34	67 [†]	100 [†]
2	35	68 [†]	101 [†]
3	36	69 [†]	102 [†]
4	37	70 [†]	103 [†]
5	38	71 [†]	104 [†]
6	39	72 [†]	105 [†]
7	40	73 [†]	106 [†]
8	41	74 [†]	107 [†]
9	42	75 [†]	108 [†]
10	43	76 [†]	109 [†]
11	44	77 [†]	110 [†]
12	45	78 [†]	111 [†]
13	46	79 [†]	112 [†]
14	47	80 [†]	113 [†]
15	48	81 [†]	114 [†]
16	49	82 [†]	115 [†]
17	50	83 [†]	116 [†]
18	51	84 [†]	117 [†]
19	52	85 [†]	118 [†]
20	53	86 [†]	119 [†]
21	54	87 [†]	120 [†]
22	55	88 [†]	121 [†]
23	56	89 [†]	122 [†]
24	57	90 [†]	123 [†]
25	58	91 [†]	124 [†]
26	59	92 [†]	125 [†]
27	60	93 [†]	126 [†]
28	61	94 [†]	127 [†]
29	62	95 [†]	128 [†]
30	63	96 [†]	

Refer to the D9412GV3/D7412GV3 Program Entry Guide (P/N: F01U143071) for additional Silent Alarm Relay functions.

[†] Relays 65 and higher available with the D9412GV3 only.

Default values are shown in () or in **bold**

RADXUSR1 Handler

User (Passcode) Worksheet (Users 000 to 029)

User ###	Passcode	User Group	Area Authority								User Name
			1	2	3	4	5	6	7	8	
000	123 _____	_____	15	15	15	15	15	15	15	15	SERVICE PASSCODE
001	123456 _____	_____	1	__	__	__	__	__	__	__	USER 1
002	_____	_____	__	__	__	__	__	__	__	__	USER 2
003	_____	_____	__	__	__	__	__	__	__	__	USER 3
004	_____	_____	__	__	__	__	__	__	__	__	USER 4
005	_____	_____	__	__	__	__	__	__	__	__	USER 5
006	_____	_____	__	__	__	__	__	__	__	__	USER 6
007	_____	_____	__	__	__	__	__	__	__	__	USER 7
008	_____	_____	__	__	__	__	__	__	__	__	USER 8
009	_____	_____	__	__	__	__	__	__	__	__	USER 9
010	_____	_____	__	__	__	__	__	__	__	__	USER 10
011	_____	_____	__	__	__	__	__	__	__	__	USER 11
012	_____	_____	__	__	__	__	__	__	__	__	USER 12
013	_____	_____	__	__	__	__	__	__	__	__	USER 13
014	_____	_____	__	__	__	__	__	__	__	__	USER 14
015	_____	_____	__	__	__	__	__	__	__	__	USER 15
016	_____	_____	__	__	__	__	__	__	__	__	USER 16
017	_____	_____	__	__	__	__	__	__	__	__	USER 17
018	_____	_____	__	__	__	__	__	__	__	__	USER 18
019	_____	_____	__	__	__	__	__	__	__	__	USER 19
020	_____	_____	__	__	__	__	__	__	__	__	USER 20
021	_____	_____	__	__	__	__	__	__	__	__	USER 21
022	_____	_____	__	__	__	__	__	__	__	__	USER 22
023	_____	_____	__	__	__	__	__	__	__	__	USER 23
024	_____	_____	__	__	__	__	__	__	__	__	USER 24
025	_____	_____	__	__	__	__	__	__	__	__	USER 25
026	_____	_____	__	__	__	__	__	__	__	__	USER 26
027	_____	_____	__	__	__	__	__	__	__	__	USER 27
028	_____	_____	__	__	__	__	__	__	__	__	USER 28
029	_____	_____	__	__	__	__	__	__	__	__	USER 29

 Solid box indicates parameter is not user programmable.

RADXUSR1 Handler

Default values are shown in () or in **bold**

User (Token) Worksheet (Users 000 to 029)

User ###	Master ID ### - 0		Sub-User ID ### - 1		Sub-User ID ### - 2		Sub-User ID ### - 3	
	Site	Card Data	Site	Card Data	Site	Card Data	Site	Card Data
000	Not available							
001								
002								
003								
004								
005								
006								
007								
008								
009								
010								
011								
012								
013								
014								
015								
016								
017								
018								
019								
020								
021								
022								
023								
024								
025								
026								
027								
028								
029								

Default values are shown in () or in **bold**

RADXUSR1/RADXUSR2 Handlers

Point Index

		Point Index Description							
Point Index Description Defaults:									
1 24-Hour Instant Audible Alarm on Open or Short									
2 Invisible/Silent Hold Up on Short									
3 Fire Pull Station Alarm on Short									
4 Smoke Detector with Reset Alarm on Short									
5 Smoke Detector with Verification Reset and Alarm on Short									
6 Bell Supervision Trouble on Open / Short									
7 Perimeter Instant Alarm on Open or Short, Watch Point When Disarmed									
8 Perimeter Delay on Short, Instant Arm on Short, Watch Point when Disarmed									
Prompt	Point Index #	1	2	3	4	5	6	7	8
Type		(0)	(0)	(0)	(0)	(0)	(0)	(1)	(1)
Point Response		(0)	(1)	(1)	(1)	(1)	(3)	(1)	(7)
Entry Delay		(30)	(30)	(30)	(30)	(30)	(30)	(30)	(30)
Entry Tone Off		Y/N	Y/N	Y/N	Y/N	Y/N	Y/N	Y/N	Y/N
Silent Bell		Y/N	Y/N	Y/N	Y/N	Y/N	Y/N	Y/N	Y/N
Ring Until Restored		Y/N	Y/N	Y/N	Y/N	Y/N	Y/N	Y/N	Y/N
Audible After Two Fails		Y/N	Y/N	Y/N	Y/N	Y/N	Y/N	Y/N	Y/N
Invisible Point		Y/N	Y/N	Y/N	Y/N	Y/N	Y/N	Y/N	Y/N
Buzz on Fault							(1)		
Watch Point		Y/N	Y/N	Y/N	Y/N	Y/N	Y/N	Y/N	Y/N
Relay Response Type									
Display as Device		Y/N	Y/N	Y/N	Y/N	Y/N	Y/N	Y/N	Y/N
Local While Disarmed		Y/N	Y/N	Y/N	Y/N	Y/N	Y/N	Y/N	Y/N
Local While Armed		Y/N	Y/N	Y/N	Y/N	Y/N	Y/N	Y/N	Y/N
Disable Restorals		Y/N	Y/N	Y/N	Y/N	Y/N	Y/N	Y/N	Y/N
FA Returnable		Y/N	Y/N	Y/N	Y/N	Y/N	Y/N	Y/N	Y/N
Bypass Returnable		Y/N	Y/N	Y/N	Y/N	Y/N	Y/N	Y/N	Y/N
Bypassable		Y/N	Y/N	Y/N	Y/N	Y/N	Y/N	Y/N	Y/N
Swinger Bypass		Y/N	Y/N	Y/N	Y/N	Y/N	Y/N	Y/N	Y/N
Report Bypass at Occurrence		Y/N	Y/N	Y/N	Y/N	Y/N	Y/N	Y/N	Y/N
Defer Bypass Report		Y/N	Y/N	Y/N	Y/N	Y/N	Y/N	Y/N	Y/N
Cross Point		Y/N	Y/N	Y/N	Y/N	Y/N	Y/N	Y/N	Y/N
Fire Point		Y/N	Y/N	Y/N	Y/N	Y/N	Y/N	Y/N	Y/N
Alarm Verify		Y/N	Y/N	Y/N	Y/N	Y/N	Y/N	Y/N	Y/N
Resettable		Y/N	Y/N	Y/N	Y/N	Y/N	Y/N	Y/N	Y/N
Alarm Abort		Y/N	Y/N	Y/N	Y/N	Y/N	Y/N	Y/N	Y/N

Point Type Selections			
0	24-Hour	6	O/C Point
1	Perimeter	7	D279 (O/C Non-Priority)
2	Interior	8	D279 (O/C Priority)
3	Interior Follower	9	Easikey
4	Keyswitch Maintained	11	Aux AC Supervision
5	Keyswitch Momentary		

Point Response Selections*		0	1	2	3	4	5	6	7	8	9	A	B	C	D	E	F
Armed	Open	I	I	I	I	D	D	I	I	D	I	I	I	I	I	T	
	Short	I	I	I	I	I	I	D	D	D	I	I	I	I	I	I	
Disarmed	Open		T		T				T		I	I	T	I		T	
	Short			T	T		T				I	T	I		I		
24-Hour	Open	I	T	I	T			I	T	S	T	S		S	Not Applicable		
	Short	I	I	T	T	I	T			T	S		S	S	Not Applicable		

RADXPNTS Handler

Default values are shown in () or in **bold**

*Selections: D = Delayed Response, I = Instant Alarm, S = Supervisory, T = Trouble, Blank = No Response

Point Index (continued)

		Point Index Description							
Prompt	Point Index #	9	10	11	12	13	14	15	16
Point Index Description Defaults:									
9 Perimeter Instant Alarm on Open or Short, Local while Disarmed									
10 Interior Instant Alarm on Open or Short									
11 Interior Delay on Short, Alarm on Open									
12 Interior Instant Alarm on Open or Short, Local While Disarmed									
13 Interior Follower Delay on Short, Alarm on Open									
14 Maintained Keyswitch									
15 Momentary Keyswitch									
16 Open/Close on Fault									
Type		(1)	(2)	(2)	(2)	(3)	(4)	(5)	(6)
Point Response		(B)	(1)	(7)	(B)	(7)	(1)	(1)	(1)
Entry Delay		(30)	(30)	(30)	(30)	(30)	(30)	(30)	(30)
Entry Tone Off		Y/N	Y/N	Y/N	Y/N	Y/N	Y/N	Y/N	Y/N
Silent Bell		Y/N	Y/N	Y/N	Y/N	Y/N	Y/N	Y/N	Y/N
Ring Until Restored		Y/N	Y/N	Y/N	Y/N	Y/N	Y/N	Y/N	Y/N
Audible After Two Fails		Y/N	Y/N	Y/N	Y/N	Y/N	Y/N	Y/N	Y/N
Invisible Point		Y/N	Y/N	Y/N	Y/N	Y/N	Y/N	Y/N	Y/N
Buzz on Fault		(1)							
Watch Point		Y/N	Y/N	Y/N	Y/N	Y/N	Y/N	Y/N	Y/N
Relay Response Type									
Display as Device		Y/N	Y/N	Y/N	Y/N	Y/N	Y/N	Y/N	Y/N
Local While Disarmed		Y/N	Y/N	Y/N	Y/N	Y/N	Y/N	Y/N	Y/N
Local While Armed		Y/N	Y/N	Y/N	Y/N	Y/N	Y/N	Y/N	Y/N
Disable Restorals		Y/N	Y/N	Y/N	Y/N	Y/N	Y/N	Y/N	Y/N
FA Returnable		Y/N	Y/N	Y/N	Y/N	Y/N	Y/N	Y/N	Y/N
Bypass Returnable		Y/N	Y/N	Y/N	Y/N	Y/N	Y/N	Y/N	Y/N
Bypassable		Y/N	Y/N	Y/N	Y/N	Y/N	Y/N	Y/N	Y/N
Swinger Bypass		Y/N	Y/N	Y/N	Y/N	Y/N	Y/N	Y/N	Y/N
Report Bypass at Occurrence		Y/N	Y/N	Y/N	Y/N	Y/N	Y/N	Y/N	Y/N
Defer Bypass Report		Y/N	Y/N	Y/N	Y/N	Y/N	Y/N	Y/N	Y/N
Cross Point		Y/N	Y/N	Y/N	Y/N	Y/N	Y/N	Y/N	Y/N
Fire Point		Y/N	Y/N	Y/N	Y/N	Y/N	Y/N	Y/N	Y/N
Alarm Verify		Y/N	Y/N	Y/N	Y/N	Y/N	Y/N	Y/N	Y/N
Resettable		Y/N	Y/N	Y/N	Y/N	Y/N	Y/N	Y/N	Y/N
Alarm Abort		Y/N	Y/N	Y/N	Y/N	Y/N	Y/N	Y/N	Y/N

Point Type Selections			Point Response Selections*																
			0	1	2	3	4	5	6	7	8	9	A	B	C	D	E	F	
0	24-Hour	6	O/C Point																
1	Perimeter	7	D279 (O/C Non-Priority)	Armed	Open	I	I	I	I	D	D	I	I	D	I	I	I	I	T
				Short	I	I	I	I	I	I	D	D	D	I	I	I	I	I	I
2	Interior	8	D279 (O/C Priority)	Disarmed	Open		T	T					T						
					Short			T	T		T			I	T	I	I		
4	Keyswitch Maintained	11	Aux AC Supervision	24-Hour	Open	I	T	I	T			I	T	S	T	S		S	Not
					Short	I	I	T	T	I	T			T	S		S	S	

*Selections: D = Delayed Response, I = Instant Alarm, S = Supervisory, T = Trouble, Blank = No Response

Default values are shown in () or in **bold**

RADXPNTS Handler

Point Index (continued)

		Point Index Description							
Prompt	Point Index #	17	18	19	20	21	22	23	24
Point Index Description Defaults: 17 D279 (Non-Priority) 18 D279 (Priority) 19 Easikey Input 20 POPIT Motion Sensor Interior 21 POPIT Motion Sensor Perimeter 22 Fire Supervisory on Open, Trouble on Short 23 Non-Fire Supervisory on Open, Trouble on Short 24 Local, No Visual or Audible Display on Any Fault Armed or Disarmed with Relay Output									
Type		(7)	(8)	(9)	(2)	(1)	(0)	(0)	(1)
Point Response		(1)	(2)	(1)	(E)	(E)	(8)	(8)	(F)
Entry Delay		(30)	(30)	(30)	(30)	(30)	(30)	(30)	(30)
Entry Tone Off		Y/N	Y/N	Y/N	Y/N	Y/N	Y/N	Y/N	Y/N
Silent Bell		Y/N	Y/N	Y/N	Y/N	Y/N	Y/N	Y/N	Y/N
Ring Until Restored		Y/N	Y/N	Y/N	Y/N	Y/N	Y/N	Y/N	Y/N
Audible After Two Fails		Y/N	Y/N	Y/N	Y/N	Y/N	Y/N	Y/N	Y/N
Invisible Point		Y/N	Y/N	Y/N	Y/N	Y/N	Y/N	Y/N	Y/N
Buzz on Fault									
Watch Point		Y/N	Y/N	Y/N	Y/N	Y/N	Y/N	Y/N	Y/N
Relay Response Type									(1) _____
Display as Device		Y/N	Y/N	Y/N	Y/N	Y/N	Y/N	Y/N	Y/N
Local While Disarmed		Y/N	Y/N	Y/N	Y/N	Y/N	Y/N	Y/N	Y/N
Local While Armed		Y/N	Y/N	Y/N	Y/N	Y/N	Y/N	Y/N	Y/N
Disable Restorals		Y/N	Y/N	Y/N	Y/N	Y/N	Y/N	Y/N	Y/N
FA Returnable		Y/N	Y/N	Y/N	Y/N	Y/N	Y/N	Y/N	Y/N
Bypass Returnable		Y/N	Y/N	Y/N	Y/N	Y/N	Y/N	Y/N	Y/N
Bypassable		Y/N	Y/N	Y/N	Y/N	Y/N	Y/N	Y/N	Y/N
Swinger Bypass		Y/N	Y/N	Y/N	Y/N	Y/N	Y/N	Y/N	Y/N
Report Bypass at Occurrence		Y/N	Y/N	Y/N	Y/N	Y/N	Y/N	Y/N	Y/N
Defer Bypass Report		Y/N	Y/N	Y/N	Y/N	Y/N	Y/N	Y/N	Y/N
Cross Point		Y/N	Y/N	Y/N	Y/N	Y/N	Y/N	Y/N	Y/N
Fire Point		Y/N	Y/N	Y/N	Y/N	Y/N	Y/N	Y/N	Y/N
Alarm Verify		Y/N	Y/N	Y/N	Y/N	Y/N	Y/N	Y/N	Y/N
Resettable		Y/N	Y/N	Y/N	Y/N	Y/N	Y/N	Y/N	Y/N
Alarm Abort		Y/N	Y/N	Y/N	Y/N	Y/N	Y/N	Y/N	Y/N

Point Type Selections		
0	24-Hour	6 O/C Point
1	Perimeter	7 D279 (O/C Non-Priority)
2	Interior	8 D279 (O/C Priority)
3	Interior Follower	9 Easikey
4	Keyswitch Maintained	11 Aux AC Supervision
5	Keyswitch Momentary	

Point Response Selections*		0	1	2	3	4	5	6	7	8	9	A	B	C	D	E	F
Armed	Open	I	I	I	I	D	D	I	I	D	I	I	I	I	I	T	
	Short	I	I	I	I	I	I	D	D	D	I	I	I	I	I	I	
Disarmed	Open		T		T				T		I	I	T	I		T	
	Short			T	T		T				I	T	I		I		
24-Hour	Open	I	T	I	T			I	T	S	T	S		S	Not Applicable		
	Short	I	I	T	T	I	T			T	S		S	S	Not Applicable		

*Selections: D = Delayed Response, I = Instant Alarm, S = Supervisory, T = Trouble, Blank = No Response

RADXPNTS Handler

Default values are shown in () or in **bold**

Point Index (continued)

		Point Index Description						
Point Index Description Defaults:								
25	Perimeter Delay on Open, Alarm on Short							
26	24-Hour Instant Audible Alarm on Open or Short							
27	24-Hour Instant Audible Alarm on Open or Short							
28	24-Hour Instant Audible Alarm on Open or Short							
29	24-Hour Instant Audible Alarm on Open or Short							
30	24-Hour Instant Audible Alarm on Open or Short							
31	24-Hour Instant Audible Alarm on Open or Short							
Prompt	Point Index #	25	26	27	28	29	30	31
Type		(1)	(0)	(0)	(0)	(0)	(0)	(0)
Point Response		(4)	(0)	(0)	(0)	(0)	(0)	(0)
Entry Delay		(30)	(30)	(30)	(30)	(30)	(30)	(30)
Entry Tone Off		Y/N	Y/N	Y/N	Y/N	Y/N	Y/N	Y/N
Silent Bell		Y/N	Y/N	Y/N	Y/N	Y/N	Y/N	Y/N
Ring Until Restored		Y/N	Y/N	Y/N	Y/N	Y/N	Y/N	Y/N
Audible After Two Fails		Y/N	Y/N	Y/N	Y/N	Y/N	Y/N	Y/N
Invisible Point		Y/N	Y/N	Y/N	Y/N	Y/N	Y/N	Y/N
Buzz on Fault								
Watch Point		Y/N	Y/N	Y/N	Y/N	Y/N	Y/N	Y/N
Relay Response Type								
Display as Device		Y/N	Y/N	Y/N	Y/N	Y/N	Y/N	Y/N
Local While Disarmed		Y/N	Y/N	Y/N	Y/N	Y/N	Y/N	Y/N
Local While Armed		Y/N	Y/N	Y/N	Y/N	Y/N	Y/N	Y/N
Disable Restorals		Y/N	Y/N	Y/N	Y/N	Y/N	Y/N	Y/N
FA Returnable		Y/N	Y/N	Y/N	Y/N	Y/N	Y/N	Y/N
Bypass Returnable		Y/N	Y/N	Y/N	Y/N	Y/N	Y/N	Y/N
Bypassable		Y/N	Y/N	Y/N	Y/N	Y/N	Y/N	Y/N
Swinger Bypass		Y/N	Y/N	Y/N	Y/N	Y/N	Y/N	Y/N
Report Bypass at Occurrence		Y/N	Y/N	Y/N	Y/N	Y/N	Y/N	Y/N
Defer Bypass Report		Y/N	Y/N	Y/N	Y/N	Y/N	Y/N	Y/N
Cross Point		Y/N	Y/N	Y/N	Y/N	Y/N	Y/N	Y/N
Fire Point		Y/N	Y/N	Y/N	Y/N	Y/N	Y/N	Y/N
Alarm Verify		Y/N	Y/N	Y/N	Y/N	Y/N	Y/N	Y/N
Resettable		Y/N	Y/N	Y/N	Y/N	Y/N	Y/N	Y/N
Alarm Abort		Y/N	Y/N	Y/N	Y/N	Y/N	Y/N	Y/N

Point Type Selections			
0	24-Hour	6	O/C Point
1	Perimeter	7	D279 (O/C Non-Priority)
2	Interior	8	D279 (O/C Priority)
3	Interior Follower	9	Easikey
4	Keyswitch	11	Aux AC Supervision
5	Keyswitch Momentary		

Point Response Selections*		0	1	2	3	4	5	6	7	8	9	A	B	C	D	E	F
Armed	Open	I	I	I	I	D	D	I	I	D	I	I	I	I	I	T	
	Short	I	I	I	I	I	I	D	D	D	I	I	I	I	I	I	
Disarmed	Open		T	T					T		I	I	T	I	I	T	
	Short			T	T		T				I	T	I		I		
24-Hour	Open	I	T	I	T			I	T	S	T	S		S		Not Applicable	
	Short	I	I	T	T	I	T			T	S		S	S		Not Applicable	

*Selections: D = Delayed Response, I = Instant Alarm, S = Supervisory, T = Trouble, Blank = No Response

Default values are shown in () or in **bold**

RADXPNTS Handler

Point Assignments (001 through 040)

POPIT Switch Setting	Trans-lation	Point #	Point Index	Area Assign	Debounce	BFSK/Relay	Custom Point Text
	100	001	(3) --	(1) --	(2) --	(1) --	P1 FIRE _____
	200	002	(1) --	(1) --	(2) --	(2) --	P2 PANIC _____
	300	003	(25) --	(1) --	(2) --	(3) --	P3 DELAY _____
	400	004	(13) --	(1) --	(2) --	(4) --	P4 FOLLOW _____
	500	005	(7) --	(1) --	(2) --	(5) --	P5 INSTANT _____
	600	006	(7) --	(1) --	(2) --	(6) --	P6 INSTANT _____
	700	007	(7) --	(1) --	(2) --	(7) --	P7 INSTANT _____
	800	008	(7) --	(1) --	(2) --	(8) --	P8 INSTANT _____
0 1 2 3 4 5 6	101	009	---	(1) --	(2) --	(1) --	P9 _____
0 1 2 3 4 5 _	102	010	---	(1) --	(2) --	(1) --	P10 _____
0 1 2 3 4 _ 6	103	011	---	(1) --	(2) --	(1) --	P11 _____
0 1 2 3 4 _ _	104	012	---	(1) --	(2) --	(1) --	P12 _____
0 1 2 3 _ 5 6	105	013	---	(1) --	(2) --	(1) --	P13 _____
0 1 2 3 _ 5 _	106	014	---	(1) --	(2) --	(1) --	P14 _____
0 1 2 3 _ _ 6	107	015	---	(1) --	(2) --	(1) --	P15 _____
0 1 2 3 _ _ _	108	016	---	(1) --	(2) --	(1) --	P16 _____
0 1 2 _ 4 5 6	109	017	---	(1) --	(2) --	(1) --	P17 _____
0 1 2 _ 4 5 _	110	018	---	(1) --	(2) --	(1) --	P18 _____
0 1 2 _ 4 _ 6	111	019	---	(1) --	(2) --	(1) --	P19 _____
0 1 2 _ 4 _ _	112	020	---	(1) --	(2) --	(1) --	P20 _____
0 1 2 _ _ 5 6	113	021	---	(1) --	(2) --	(1) --	P21 _____
0 1 2 _ _ 5 _	114	022	---	(1) --	(2) --	(1) --	P22 _____
0 1 2 _ _ _ 6	115	023	---	(1) --	(2) --	(1) --	P23 _____
0 1 2 _ _ _ _	116	024	---	(1) --	(2) --	(1) --	P24 _____
0 1 _ 3 4 5 6	201	025	---	(1) --	(2) --	(1) --	P25 _____
0 1 _ 3 4 5 _	202	026	---	(1) --	(2) --	(1) --	P26 _____
0 1 _ 3 4 _ 6	203	027	---	(1) --	(2) --	(1) --	P27 _____
0 1 _ 3 4 _ _	204	028	---	(1) --	(2) --	(1) --	P28 _____
0 1 _ 3 _ 5 6	205	029	---	(1) --	(2) --	(1) --	P29 _____
0 1 _ 3 _ 5 _	206	030	---	(1) --	(2) --	(1) --	P30 _____
0 1 _ 3 _ _ 6	207	031	---	(1) --	(2) --	(1) --	P31 _____
0 1 _ 3 _ _ _	208	032	---	(1) --	(2) --	(1) --	P32 _____
0 1 _ _ 4 5 6	209	033	---	(1) --	(2) --	(1) --	P33 _____
0 1 _ _ 4 5 _	210	034	---	(1) --	(2) --	(1) --	P34 _____
0 1 _ _ 4 _ 6	211	035	---	(1) --	(2) --	(1) --	P35 _____
0 1 _ _ 4 _ _	212	036	---	(1) --	(2) --	(1) --	P36 _____
0 1 _ _ _ 5 6	213	037	---	(1) --	(2) --	(1) --	P37 _____
0 1 _ _ _ 5 _	214	038	---	(1) --	(2) --	(1) --	P38 _____
0 1 _ _ _ _ 6	215	039	---	(1) --	(2) --	(1) --	P39 _____
0 1 _ _ _ _ _	216	040	---	(1) --	(2) --	(1) --	P40 _____

RADXPNTS Handler

Default values are shown in () or in **bold**

Point Assignments (041 through 080)

POPIT Switch Setting	Trans-lation	Point #	Point Index	Area Assign	Debounce	BFSK/Relay	Custom Point Text
0 _ 2 3 4 5 6	301	041	___	(1) ___	(2) ___	(1) ___	P41
0 _ 2 3 4 5 _	302	042	___	(1) ___	(2) ___	(1) ___	P42
0 _ 2 3 4 _ 6	303	043	___	(1) ___	(2) ___	(1) ___	P43
0 _ 2 3 4 _ _	304	044	___	(1) ___	(2) ___	(1) ___	P44
0 _ 2 3 _ 5 6	305	045	___	(1) ___	(2) ___	(1) ___	P45
0 _ 2 3 _ 5 _	306	046	___	(1) ___	(2) ___	(1) ___	P46
0 _ 2 3 _ _ 6	307	047	___	(1) ___	(2) ___	(1) ___	P47
0 _ 2 3 _ _ _	308	048	___	(1) ___	(2) ___	(1) ___	P48
0 _ 2 _ 4 5 6	309	049	___	(1) ___	(2) ___	(1) ___	P49
0 _ 2 _ 4 5 _	310	050	___	(1) ___	(2) ___	(1) ___	P50
0 _ 2 _ 4 _ 6	311	051	___	(1) ___	(2) ___	(1) ___	P51
0 _ 2 _ 4 _ _	312	052	___	(1) ___	(2) ___	(1) ___	P52
0 _ 2 _ _ 5 6	313	053	___	(1) ___	(2) ___	(1) ___	P53
0 _ 2 _ _ 5 _	314	054	___	(1) ___	(2) ___	(1) ___	P54
0 _ 2 _ _ _ 6	315	055	___	(1) ___	(2) ___	(1) ___	P55
0 _ 2 _ _ _ _	316	056	___	(1) ___	(2) ___	(1) ___	P56
0 _ _ 3 4 5 6	401	057	___	(1) ___	(2) ___	(1) ___	P57
0 _ _ 3 4 5 _	402	058	___	(1) ___	(2) ___	(1) ___	P58
0 _ _ 3 4 _ 6	403	059	___	(1) ___	(2) ___	(1) ___	P59
0 _ _ 3 4 _ _	404	060	___	(1) ___	(2) ___	(1) ___	P60
0 _ _ 3 _ 5 6	405	061	___	(1) ___	(2) ___	(1) ___	P61
0 _ _ 3 _ 5 _	406	062	___	(1) ___	(2) ___	(1) ___	P62
0 _ _ 3 _ _ 6	407	063	___	(1) ___	(2) ___	(1) ___	P63
0 _ _ 3 _ _ _	408	064	___	(1) ___	(2) ___	(1) ___	P64
0 _ _ _ 4 5 6	409	065	___	(1) ___	(2) ___	(1) ___	P65
0 _ _ _ 4 5 _	410	066	___	(1) ___	(2) ___	(1) ___	P66
0 _ _ _ 4 _ 6	411	067	___	(1) ___	(2) ___	(1) ___	P67
0 _ _ _ 4 _ _	412	068	___	(1) ___	(2) ___	(1) ___	P68
0 _ _ _ _ 5 6	413	069	___	(1) ___	(2) ___	(1) ___	P69
0 _ _ _ _ 5 _	414	070	___	(1) ___	(2) ___	(1) ___	P70
0 _ _ _ _ _ 6	415	071	___	(1) ___	(2) ___	(1) ___	P71
0 _ _ _ _ _ _	416	072	___	(1) ___	(2) ___	(1) ___	P72
_ 1 2 3 4 5 6	501	073	___	(1) ___	(2) ___	(1) ___	P73
_ 1 2 3 4 5 _	502	074	___	(1) ___	(2) ___	(1) ___	P74
_ 1 2 3 4 _ 6	503	075	___	(1) ___	(2) ___	(1) ___	P75
D7412GV3 Maximum of 75 Points							
_ 1 2 3 4 _ _	504	076	___	(1) ___	(2) ___	(1) ___	P76
_ 1 2 3 _ 5 6	505	077	___	(1) ___	(2) ___	(1) ___	P77
_ 1 2 3 _ 5 _	506	078	___	(1) ___	(2) ___	(1) ___	P78
_ 1 2 3 _ _ 6	507	079	___	(1) ___	(2) ___	(1) ___	P79
_ 1 2 3 _ _ _	508	080	___	(1) ___	(2) ___	(1) ___	P80

Default values are shown in () or in **bold**

RADXPNTS Handler

Point Assignments (081 through 120)

POPIT Switch Setting	Trans-lation	Point #	Point Index	Area Assign	Debounce	BFSK/Relay	Custom Point Text
_ 1 2 _ 4 5 6	509	081	___	(1) ___	(2) ___	(1) ___	P81
_ 1 2 _ 4 5 _	510	082	___	(1) ___	(2) ___	(1) ___	P82
_ 1 2 _ 4 _ 6	511	083	___	(1) ___	(2) ___	(1) ___	P83
_ 1 2 _ 4 _ _	512	084	___	(1) ___	(2) ___	(1) ___	P84
_ 1 2 _ _ 5 6	513	085	___	(1) ___	(2) ___	(1) ___	P85
_ 1 2 _ _ 5 _	514	086	___	(1) ___	(2) ___	(1) ___	P86
_ 1 2 _ _ _ 6	515	087	___	(1) ___	(2) ___	(1) ___	P87
_ 1 2 _ _ _ _	516	088	___	(1) ___	(2) ___	(1) ___	P88
_ 1 _ 3 4 5 6	601	089	___	(1) ___	(2) ___	(1) ___	P89
_ 1 _ 3 4 5 _	602	090	___	(1) ___	(2) ___	(1) ___	P90
_ 1 _ 3 4 _ 6	603	091	___	(1) ___	(2) ___	(1) ___	P91
_ 1 _ 3 4 _ _	604	092	___	(1) ___	(2) ___	(1) ___	P92
_ 1 _ 3 _ 5 6	605	093	___	(1) ___	(2) ___	(1) ___	P93
_ 1 _ 3 _ 5 _	606	094	___	(1) ___	(2) ___	(1) ___	P94
_ 1 _ 3 _ _ 6	607	095	___	(1) ___	(2) ___	(1) ___	P95
_ 1 _ 3 _ _ _	608	096	___	(1) ___	(2) ___	(1) ___	P96
_ 1 _ _ 4 5 6	609	097	___	(1) ___	(2) ___	(1) ___	P97
_ 1 _ _ 4 5 _	610	098	___	(1) ___	(2) ___	(1) ___	P98
_ 1 _ _ 4 _ 6	611	099	___	(1) ___	(2) ___	(1) ___	P99
_ 1 _ _ 4 _ _	612	100	___	(1) ___	(2) ___	(1) ___	P100
_ 1 _ _ _ 5 6	613	101	___	(1) ___	(2) ___	(1) ___	P101
_ 1 _ _ _ 5 _	614	102	___	(1) ___	(2) ___	(1) ___	P102
_ 1 _ _ _ _ 6	615	103	___	(1) ___	(2) ___	(1) ___	P103
_ 1 _ _ _ _ _	616	104	___	(1) ___	(2) ___	(1) ___	P104
_ _ 2 3 4 5 6	701	105	___	(1) ___	(2) ___	(1) ___	P105
_ _ 2 3 4 5 _	702	106	___	(1) ___	(2) ___	(1) ___	P106
_ _ 2 3 4 _ 6	703	107	___	(1) ___	(2) ___	(1) ___	P107
_ _ 2 3 4 _ _	704	108	___	(1) ___	(2) ___	(1) ___	P108
_ _ 2 3 _ 5 6	705	109	___	(1) ___	(2) ___	(1) ___	P109
_ _ 2 3 _ 5 _	706	110	___	(1) ___	(2) ___	(1) ___	P110
_ _ 2 3 _ _ 6	707	111	___	(1) ___	(2) ___	(1) ___	P111
_ _ 2 3 _ _ _	708	112	___	(1) ___	(2) ___	(1) ___	P112
_ _ 2 _ 4 5 6	709	113	___	(1) ___	(2) ___	(1) ___	P113
_ _ 2 _ 4 5 _	710	114	___	(1) ___	(2) ___	(1) ___	P114
_ _ 2 _ 4 _ 6	711	115	___	(1) ___	(2) ___	(1) ___	P115
_ _ 2 _ 4 _ _	712	116	___	(1) ___	(2) ___	(1) ___	P116
_ _ 2 _ _ 5 6	713	117	___	(1) ___	(2) ___	(1) ___	P117
_ _ 2 _ _ 5 _	714	118	___	(1) ___	(2) ___	(1) ___	P118
_ _ 2 _ _ _ 6	715	119	___	(1) ___	(2) ___	(1) ___	P119
_ _ 2 _ _ _ _	716	120	___	(1) ___	(2) ___	(1) ___	P120

RADXPNTS Handler

Default values are shown in () or in **bold**

Point Assignments (121 through 160)

POPIIT Switch Setting	Trans-lation	Point #	Point Index	Area Assign	Debounce	BFSK/Relay	Custom Point Text
_ _ _ 3 4 5 6	801	121	___	(1) ___	(2) ___	(1) ___	P121 _____
_ _ _ 3 4 5 _	802	122	___	(1) ___	(2) ___	(1) ___	P122 _____
_ _ _ 3 4 _ 6	803	123	___	(1) ___	(2) ___	(1) ___	P123 _____
_ _ _ 3 4 _ _	804	124	___	(1) ___	(2) ___	(1) ___	P124 _____
_ _ _ 3 _ 5 6	805	125	___	(1) ___	(2) ___	(1) ___	P125 _____
_ _ _ 3 _ 5 _	806	126	___	(1) ___	(2) ___	(1) ___	P126 _____
_ _ _ 3 _ _ 6	807	127	___	(1) ___	(2) ___	(1) ___	P127 _____

ZONEX 1 Maximum

		128	<i>Not Used</i>				
0 1 2 3 4 5 6	809	129	___	(1) ___	(2) ___	(1) ___	P129 _____
0 1 2 3 4 5 _	810	130	___	(1) ___	(2) ___	(1) ___	P130 _____
0 1 2 3 4 _ 6	811	131	___	(1) ___	(2) ___	(1) ___	P131 _____
0 1 2 3 4 _ _	812	132	___	(1) ___	(2) ___	(1) ___	P132 _____
0 1 2 3 _ 5 6	813	133	___	(1) ___	(2) ___	(1) ___	P133 _____
0 1 2 3 _ 5 _	814	134	___	(1) ___	(2) ___	(1) ___	P134 _____
0 1 2 3 _ _ 6	815	135	___	(1) ___	(2) ___	(1) ___	P135 _____
0 1 2 3 _ _ _	816	136	___	(1) ___	(2) ___	(1) ___	P136 _____
0 1 2 _ 4 5 6	117	137	___	(1) ___	(2) ___	(1) ___	P137 _____
0 1 2 _ 4 5 _	118	138	___	(1) ___	(2) ___	(1) ___	P138 _____
0 1 2 _ 4 _ 6	119	139	___	(1) ___	(2) ___	(1) ___	P139 _____
0 1 2 _ 4 _ _	120	140	___	(1) ___	(2) ___	(1) ___	P140 _____
0 1 2 _ _ 5 6	121	141	___	(1) ___	(2) ___	(1) ___	P141 _____
0 1 2 _ _ 5 _	122	142	___	(1) ___	(2) ___	(1) ___	P142 _____
0 1 2 _ _ _ 6	123	143	___	(1) ___	(2) ___	(1) ___	P143 _____
0 1 2 _ _ _ _	124	144	___	(1) ___	(2) ___	(1) ___	P144 _____
0 1 _ 3 4 5 6	125	145	___	(1) ___	(2) ___	(1) ___	P145 _____
0 1 _ 3 4 5 _	126	146	___	(1) ___	(2) ___	(1) ___	P146 _____
0 1 _ 3 4 _ 6	127	147	___	(1) ___	(2) ___	(1) ___	P147 _____
0 1 _ 3 4 _ _	128	148	___	(1) ___	(2) ___	(1) ___	P148 _____
0 1 _ 3 _ 5 6	129	149	___	(1) ___	(2) ___	(1) ___	P149 _____
0 1 _ 3 _ 5 _	130	150	___	(1) ___	(2) ___	(1) ___	P150 _____
0 1 _ 3 _ _ 6	131	151	___	(1) ___	(2) ___	(1) ___	P151 _____
0 1 _ 3 _ _ _	132	152	___	(1) ___	(2) ___	(1) ___	P152 _____
0 1 _ _ 4 5 6	217	153	___	(1) ___	(2) ___	(1) ___	P153 _____
0 1 _ _ 4 5 _	218	154	___	(1) ___	(2) ___	(1) ___	P154 _____
0 1 _ _ 4 _ 6	219	155	___	(1) ___	(2) ___	(1) ___	P155 _____
0 1 _ _ 4 _ _	220	156	___	(1) ___	(2) ___	(1) ___	P156 _____
0 1 _ _ _ 5 6	221	157	___	(1) ___	(2) ___	(1) ___	P157 _____
0 1 _ _ _ 5 _	222	158	___	(1) ___	(2) ___	(1) ___	P158 _____
0 1 _ _ _ _ 6	223	159	___	(1) ___	(2) ___	(1) ___	P159 _____
0 1 _ _ _ _ _	224	160	___	(1) ___	(2) ___	(1) ___	P160 _____

Default values are shown in () or in bold

RADXPNTS Handler

Point Assignments (161 through 200)

POPIT Switch Setting	Trans-lation	Point #	Point Index	Area Assign	Debounce	BFSK/Relay	Custom Point Text
0 _ 2 3 4 5 6	225	161	___	(1) ___	(2) ___	(1) ___	P161 _____
0 _ 2 3 4 5 _	226	162	___	(1) ___	(2) ___	(1) ___	P162 _____
0 _ 2 3 4 _ 6	227	163	___	(1) ___	(2) ___	(1) ___	P163 _____
0 _ 2 3 4 _ _	228	164	___	(1) ___	(2) ___	(1) ___	P164 _____
0 _ 2 3 _ 5 6	229	165	___	(1) ___	(2) ___	(1) ___	P165 _____
0 _ 2 3 _ 5 _	230	166	___	(1) ___	(2) ___	(1) ___	P166 _____
0 _ 2 3 _ _ 6	231	167	___	(1) ___	(2) ___	(1) ___	P167 _____
0 _ 2 3 _ _ _	232	168	___	(1) ___	(2) ___	(1) ___	P168 _____
0 _ 2 _ 4 5 6	317	169	___	(1) ___	(2) ___	(1) ___	P169 _____
0 _ 2 _ 4 5 _	318	170	___	(1) ___	(2) ___	(1) ___	P170 _____
0 _ 2 _ 4 _ 6	319	171	___	(1) ___	(2) ___	(1) ___	P171 _____
0 _ 2 _ 4 _ _	320	172	___	(1) ___	(2) ___	(1) ___	P172 _____
0 _ 2 _ _ 5 6	321	173	___	(1) ___	(2) ___	(1) ___	P173 _____
0 _ 2 _ _ 5 _	322	174	___	(1) ___	(2) ___	(1) ___	P174 _____
0 _ 2 _ _ _ 6	323	175	___	(1) ___	(2) ___	(1) ___	P175 _____
0 _ 2 _ _ _ _	324	176	___	(1) ___	(2) ___	(1) ___	P176 _____
0 _ _ 3 4 5 6	325	177	___	(1) ___	(2) ___	(1) ___	P177 _____
0 _ _ 3 4 5 _	326	178	___	(1) ___	(2) ___	(1) ___	P178 _____
0 _ _ 3 4 _ 6	327	179	___	(1) ___	(2) ___	(1) ___	P179 _____
0 _ _ 3 4 _ _	328	180	___	(1) ___	(2) ___	(1) ___	P180 _____
0 _ _ 3 _ 5 6	329	181	___	(1) ___	(2) ___	(1) ___	P181 _____
0 _ _ 3 _ 5 _	330	182	___	(1) ___	(2) ___	(1) ___	P182 _____
0 _ _ 3 _ _ 6	331	183	___	(1) ___	(2) ___	(1) ___	P183 _____
0 _ _ 3 _ _ _	332	184	___	(1) ___	(2) ___	(1) ___	P184 _____
0 _ _ _ 4 5 6	417	185	___	(1) ___	(2) ___	(1) ___	P185 _____
0 _ _ _ 4 5 _	418	186	___	(1) ___	(2) ___	(1) ___	P186 _____
0 _ _ _ 4 _ 6	419	187	___	(1) ___	(2) ___	(1) ___	P187 _____
0 _ _ _ 4 _ _	420	188	___	(1) ___	(2) ___	(1) ___	P188 _____
0 _ _ _ _ 5 6	421	189	___	(1) ___	(2) ___	(1) ___	P189 _____
0 _ _ _ _ 5 _	422	190	___	(1) ___	(2) ___	(1) ___	P190 _____
0 _ _ _ _ _ 6	423	191	___	(1) ___	(2) ___	(1) ___	P191 _____
0 _ _ _ _ _ _	424	192	___	(1) ___	(2) ___	(1) ___	P192 _____
_ 1 2 3 4 5 6	425	193	___	(1) ___	(2) ___	(1) ___	P193 _____
_ 1 2 3 4 5 _	426	194	___	(1) ___	(2) ___	(1) ___	P194 _____
_ 1 2 3 4 _ 6	427	195	___	(1) ___	(2) ___	(1) ___	P195 _____
_ 1 2 3 4 _ _	428	196	___	(1) ___	(2) ___	(1) ___	P196 _____
_ 1 2 3 _ 5 6	429	197	___	(1) ___	(2) ___	(1) ___	P197 _____
_ 1 2 3 _ 5 _	430	198	___	(1) ___	(2) ___	(1) ___	P198 _____
_ 1 2 3 _ _ 6	431	199	___	(1) ___	(2) ___	(1) ___	P199 _____
_ 1 2 3 _ _ _	432	200	___	(1) ___	(2) ___	(1) ___	P200 _____

RADXPNTS Handler

Default values are shown in () or in **bold**

Point Assignments (201 through 239)

POPI Switch Setting	Trans-lation	Point #	Point Index	Area Assign	Debounce	BFSK/Relay	Custom Point Text
_ 1 2 _ 4 5 6	517	201	___	(1) ___	(2) ___	(1) ___	P201 _____
_ 1 2 _ 4 5 _	518	202	___	(1) ___	(2) ___	(1) ___	P202 _____
_ 1 2 _ 4 _ 6	519	203	___	(1) ___	(2) ___	(1) ___	P203 _____
_ 1 2 _ 4 _ _	520	204	___	(1) ___	(2) ___	(1) ___	P204 _____
_ 1 2 _ _ 5 6	521	205	___	(1) ___	(2) ___	(1) ___	P205 _____
_ 1 2 _ _ 5 _	522	206	___	(1) ___	(2) ___	(1) ___	P206 _____
_ 1 2 _ _ _ 6	523	207	___	(1) ___	(2) ___	(1) ___	P207 _____
_ 1 2 _ _ _ _	524	208	___	(1) ___	(2) ___	(1) ___	P208 _____
_ 1 _ 3 4 5 6	525	209	___	(1) ___	(2) ___	(1) ___	P209 _____
_ 1 _ 3 4 5 _	526	210	___	(1) ___	(2) ___	(1) ___	P210 _____
_ 1 _ 3 4 _ 6	527	211	___	(1) ___	(2) ___	(1) ___	P211 _____
_ 1 _ 3 4 _ _	528	212	___	(1) ___	(2) ___	(1) ___	P212 _____
_ 1 _ 3 _ 5 6	529	213	___	(1) ___	(2) ___	(1) ___	P213 _____
_ 1 _ 3 _ 5 _	530	214	___	(1) ___	(2) ___	(1) ___	P214 _____
_ 1 _ 3 _ _ 6	531	215	___	(1) ___	(2) ___	(1) ___	P215 _____
_ 1 _ 3 _ _ _	532	216	___	(1) ___	(2) ___	(1) ___	P216 _____
_ 1 _ _ 4 5 6	617	217	___	(1) ___	(2) ___	(1) ___	P217 _____
_ 1 _ _ 4 5 _	618	218	___	(1) ___	(2) ___	(1) ___	P218 _____
_ 1 _ _ 4 _ 6	619	219	___	(1) ___	(2) ___	(1) ___	P219 _____
_ 1 _ _ 4 _ _	620	220	___	(1) ___	(2) ___	(1) ___	P220 _____
_ 1 _ _ _ 5 6	621	221	___	(1) ___	(2) ___	(1) ___	P221 _____
_ 1 _ _ _ 5 _	622	222	___	(1) ___	(2) ___	(1) ___	P222 _____
_ 1 _ _ _ _ 6	623	223	___	(1) ___	(2) ___	(1) ___	P223 _____
_ 1 _ _ _ _ _	624	224	___	(1) ___	(2) ___	(1) ___	P224 _____
_ _ 2 3 4 5 6	625	225	___	(1) ___	(2) ___	(1) ___	P225 _____
_ _ 2 3 4 5 _	626	226	___	(1) ___	(2) ___	(1) ___	P226 _____
_ _ 2 3 4 _ 6	627	227	___	(1) ___	(2) ___	(1) ___	P227 _____
_ _ 2 3 4 _ _	628	228	___	(1) ___	(2) ___	(1) ___	P228 _____
_ _ 2 3 _ 5 6	629	229	___	(1) ___	(2) ___	(1) ___	P229 _____
_ _ 2 3 _ 5 _	630	230	___	(1) ___	(2) ___	(1) ___	P230 _____
_ _ 2 3 _ _ 6	631	231	___	(1) ___	(2) ___	(1) ___	P231 _____
_ _ 2 3 _ _ _	632	232	___	(1) ___	(2) ___	(1) ___	P232 _____
_ _ 2 _ 4 5 6	717	233	___	(1) ___	(2) ___	(1) ___	P233 _____
_ _ 2 _ 4 5 _	718	234	___	(1) ___	(2) ___	(1) ___	P234 _____
_ _ 2 _ 4 _ 6	719	235	___	(1) ___	(2) ___	(1) ___	P235 _____
_ _ 2 _ 4 _ _	720	236	___	(1) ___	(2) ___	(1) ___	P236 _____
_ _ 2 _ _ 5 6	721	237	___	(1) ___	(2) ___	(1) ___	P237 _____
_ _ 2 _ _ 5 _	722	238	___	(1) ___	(2) ___	(1) ___	P238 _____
_ _ 2 _ _ _ 6	723	239	___	(1) ___	(2) ___	(1) ___	P239 _____

Default values are shown in () or in **bold**

RADXPNTS Handler

Point Assignments (240 through 247)

POPIT Switch Setting	Translation	Point #	Point Index	Area Assign	Debounce	BFSK/Relay	Custom Point Text
__ 2 _ _ _ _	724	240*	___	(1) ___	(2) ___	(1) ___	P240 _____
_ _ _ 3 4 5 6	725	241*	___	(1) ___	(2) ___	(1) ___	P241 _____
_ _ _ 3 4 5 _	726	242*	___	(1) ___	(2) ___	(1) ___	P242 _____
_ _ _ 3 4 _ 6	727	243*	___	(1) ___	(2) ___	(1) ___	P243 _____
_ _ _ 3 4 _ _	728	244*	___	(1) ___	(2) ___	(1) ___	P244 _____
_ _ _ 3 _ 5 6	729	245*	___	(1) ___	(2) ___	(1) ___	P245 _____
_ _ _ 3 _ 5 _	730	246*	___	(1) ___	(2) ___	(1) ___	P246 _____
_ _ _ 3 _ _ 6	731	247*	___	(1) ___	(2) ___	(1) ___	P247 _____

* The Point Text for Points 240 to 247 can be used for the Area Name Text when a D1260 Alpha V Command Center (Keypad) is used. Point 240 Text is used as Area 1's Area Name Text, Point 241 Text is used as Area 2's Area Name Text, ...and Point 247 Text is used as Area 8's Area Name Text.

CMD 7 and CMD 9

Command	Point Index	BFSK/Relay	Point Text
COMMAND 7	(31) _____	(1) _____	COMMAND 7 _____
COMMAND 9	(31) _____	(1) _____	COMMAND 9 _____

RADXSKED Handler

Default values are shown in () or in **bold**

Windows

Opening and Closing

	Window (W)							
	W# 1	W# 2	W# 3	W# 4	W# 5	W# 6	W# 7	W# 8
Day of Week								
Sunday	Yes/No	Yes/No	Yes/No	Yes/No	Yes/No	Yes/No	Yes/No	Yes/No
Monday	Yes/No	Yes/No	Yes/No	Yes/No	Yes/No	Yes/No	Yes/No	Yes/No
Tuesday	Yes/No	Yes/No	Yes/No	Yes/No	Yes/No	Yes/No	Yes/No	Yes/No
Wednesday	Yes/No	Yes/No	Yes/No	Yes/No	Yes/No	Yes/No	Yes/No	Yes/No
Thursday	Yes/No	Yes/No	Yes/No	Yes/No	Yes/No	Yes/No	Yes/No	Yes/No
Friday	Yes/No	Yes/No	Yes/No	Yes/No	Yes/No	Yes/No	Yes/No	Yes/No
Saturday	Yes/No	Yes/No	Yes/No	Yes/No	Yes/No	Yes/No	Yes/No	Yes/No
Open								
Early Begin	__:__	__:__	__:__	__:__	__:__	__:__	__:__	__:__
Window Start	__:__	__:__	__:__	__:__	__:__	__:__	__:__	__:__
Window Stop	__:__	__:__	__:__	__:__	__:__	__:__	__:__	__:__
Close								
Early Begin	__:__	__:__	__:__	__:__	__:__	__:__	__:__	__:__
Window Start	__:__	__:__	__:__	__:__	__:__	__:__	__:__	__:__
Window Stop	__:__	__:__	__:__	__:__	__:__	__:__	__:__	__:__
Holidays								
Xept Holiday	Yes/No	Yes/No	Yes/No	Yes/No	Yes/No	Yes/No	Yes/No	Yes/No
Holiday 1	Yes/No	Yes/No	Yes/No	Yes/No	Yes/No	Yes/No	Yes/No	Yes/No
Holiday 2	Yes/No	Yes/No	Yes/No	Yes/No	Yes/No	Yes/No	Yes/No	Yes/No
Holiday 3	Yes/No	Yes/No	Yes/No	Yes/No	Yes/No	Yes/No	Yes/No	Yes/No
Holiday 4	Yes/No	Yes/No	Yes/No	Yes/No	Yes/No	Yes/No	Yes/No	Yes/No
Areas								
Area 1	Yes/No	Yes/No	Yes/No	Yes/No	Yes/No	Yes/No	Yes/No	Yes/No
Area 2	Yes/No	Yes/No	Yes/No	Yes/No	Yes/No	Yes/No	Yes/No	Yes/No
Area 3	Yes/No	Yes/No	Yes/No	Yes/No	Yes/No	Yes/No	Yes/No	Yes/No
Area 4	Yes/No	Yes/No	Yes/No	Yes/No	Yes/No	Yes/No	Yes/No	Yes/No
Area 5	Yes/No	Yes/No	Yes/No	Yes/No	Yes/No	Yes/No	Yes/No	Yes/No
Area 6	Yes/No	Yes/No	Yes/No	Yes/No	Yes/No	Yes/No	Yes/No	Yes/No
Area 7	Yes/No	Yes/No	Yes/No	Yes/No	Yes/No	Yes/No	Yes/No	Yes/No
Area 8	Yes/No	Yes/No	Yes/No	Yes/No	Yes/No	Yes/No	Yes/No	Yes/No

Use this table to determine the appropriate entries for your application.

Open/Close Window Activation	Day of Week	Xept Holiday	Holiday Index	Area(s)
Day(s) of the week	Program at least one Day as YES	No	None	Program at least one Area as YES
Days(s) of the Week, but NOT on Holidays	Program at least one Day as YES	Yes	Select at least one Index	Program at least one Area as YES
Day(s) of the Week, PLUS Holidays	Program at least one Day as YES	No	Select at least one Index	Program at least one Area as YES
Only on Holidays	All Days must be programmed NO	No	Select at least one Index	Program at least one Area as YES

Default values are shown in () or in **bold****RADXSKE**D Handler**Windows (continued)****User Group**

	User Window (UW)							
	UW#1	UW#2	UW#3	UW#4	UW#5	UW#6	UW#7	UW#8
User Group	(1)	(1)	(1)	(1)	(1)	(1)	(1)	(1)
Day of Week								
Sunday	Yes/ No	Yes/ No	Yes/ No	Yes/ No	Yes/ No	Yes/ No	Yes/ No	Yes/ No
Monday	Yes/ No	Yes/ No	Yes/ No	Yes/ No	Yes/ No	Yes/ No	Yes/ No	Yes/ No
Tuesday	Yes/ No	Yes/ No	Yes/ No	Yes/ No	Yes/ No	Yes/ No	Yes/ No	Yes/ No
Wednesday	Yes/ No	Yes/ No	Yes/ No	Yes/ No	Yes/ No	Yes/ No	Yes/ No	Yes/ No
Thursday	Yes/ No	Yes/ No	Yes/ No	Yes/ No	Yes/ No	Yes/ No	Yes/ No	Yes/ No
Friday	Yes/ No	Yes/ No	Yes/ No	Yes/ No	Yes/ No	Yes/ No	Yes/ No	Yes/ No
Saturday	Yes/ No	Yes/ No	Yes/ No	Yes/ No	Yes/ No	Yes/ No	Yes/ No	Yes/ No
Group								
Enable Time	__:__	__:__	__:__	__:__	__:__	__:__	__:__	__:__
Disable Time	__:__	__:__	__:__	__:__	__:__	__:__	__:__	__:__
Holidays								
Xept Holiday	Yes/ No	Yes/ No	Yes/ No	Yes/ No	Yes/ No	Yes/ No	Yes/ No	Yes/ No
Holiday 1	Yes/ No	Yes/ No	Yes/ No	Yes/ No	Yes/ No	Yes/ No	Yes/ No	Yes/ No
Holiday 2	Yes/ No	Yes/ No	Yes/ No	Yes/ No	Yes/ No	Yes/ No	Yes/ No	Yes/ No
Holiday 3	Yes/ No	Yes/ No	Yes/ No	Yes/ No	Yes/ No	Yes/ No	Yes/ No	Yes/ No
Holiday 4	Yes/ No	Yes/ No	Yes/ No	Yes/ No	Yes/ No	Yes/ No	Yes/ No	Yes/ No

RADXSKEDE Handler

Default values are shown in () or in **bold**

Skeds

Skeds 1 to 10

	Sked 1	Sked 2	Sked 3	Sked 4	Sked 5	Sked 6	Sked 7	Sked 8	Sked 9	Sked 10
Time Edit	Yes/No	Yes/No	Yes/No	Yes/No	Yes/No	Yes/No	Yes/No	Yes/No	Yes/No	Yes/No
Function Code	__	__	__	__	__	__	__	__	__	__
Parameter 1	_____	_____	_____	_____	_____	_____	_____	_____	_____	_____
Parameter 2	_____	_____	_____	_____	_____	_____	_____	_____	_____	_____
Time	_::	_::	_::	_::	_::	_::	_::	_::	_::	_::
Date	_/_/	_/_/	_/_/	_/_/	_/_/	_/_/	_/_/	_/_/	_/_/	_/_/
Day of Week										
Sunday	Yes/No	Yes/No	Yes/No	Yes/No	Yes/No	Yes/No	Yes/No	Yes/No	Yes/No	Yes/No
Monday	Yes/No	Yes/No	Yes/No	Yes/No	Yes/No	Yes/No	Yes/No	Yes/No	Yes/No	Yes/No
Tuesday	Yes/No	Yes/No	Yes/No	Yes/No	Yes/No	Yes/No	Yes/No	Yes/No	Yes/No	Yes/No
Wednesday	Yes/No	Yes/No	Yes/No	Yes/No	Yes/No	Yes/No	Yes/No	Yes/No	Yes/No	Yes/No
Thursday	Yes/No	Yes/No	Yes/No	Yes/No	Yes/No	Yes/No	Yes/No	Yes/No	Yes/No	Yes/No
Friday	Yes/No	Yes/No	Yes/No	Yes/No	Yes/No	Yes/No	Yes/No	Yes/No	Yes/No	Yes/No
Saturday	Yes/No	Yes/No	Yes/No	Yes/No	Yes/No	Yes/No	Yes/No	Yes/No	Yes/No	Yes/No
Holidays										
Xept Holiday	Yes/No	Yes/No	Yes/No	Yes/No	Yes/No	Yes/No	Yes/No	Yes/No	Yes/No	Yes/No
Holiday 1	Yes/No	Yes/No	Yes/No	Yes/No	Yes/No	Yes/No	Yes/No	Yes/No	Yes/No	Yes/No
Holiday 2	Yes/No	Yes/No	Yes/No	Yes/No	Yes/No	Yes/No	Yes/No	Yes/No	Yes/No	Yes/No
Holiday 3	Yes/No	Yes/No	Yes/No	Yes/No	Yes/No	Yes/No	Yes/No	Yes/No	Yes/No	Yes/No
Holiday 4	Yes/No	Yes/No	Yes/No	Yes/No	Yes/No	Yes/No	Yes/No	Yes/No	Yes/No	Yes/No

Skeds 11 to 20

	Sked 11	Sked 12	Sked 13	Sked 14	Sked 15	Sked 16	Sked 17	Sked 18	Sked 19	Sked 20
Time Edit	Yes/No	Yes/No	Yes/No	Yes/No	Yes/No	Yes/No	Yes/No	Yes/No	Yes/No	Yes/No
Function Code	__	__	__	__	__	__	__	__	__	__
Parameter 1	_____	_____	_____	_____	_____	_____	_____	_____	_____	_____
Parameter 2	_____	_____	_____	_____	_____	_____	_____	_____	_____	_____
Time	_::	_::	_::	_::	_::	_::	_::	_::	_::	_::
Date	_/_/	_/_/	_/_/	_/_/	_/_/	_/_/	_/_/	_/_/	_/_/	_/_/
Day of Week										
Sunday	Yes/No	Yes/No	Yes/No	Yes/No	Yes/No	Yes/No	Yes/No	Yes/No	Yes/No	Yes/No
Monday	Yes/No	Yes/No	Yes/No	Yes/No	Yes/No	Yes/No	Yes/No	Yes/No	Yes/No	Yes/No
Tuesday	Yes/No	Yes/No	Yes/No	Yes/No	Yes/No	Yes/No	Yes/No	Yes/No	Yes/No	Yes/No
Wednesday	Yes/No	Yes/No	Yes/No	Yes/No	Yes/No	Yes/No	Yes/No	Yes/No	Yes/No	Yes/No
Thursday	Yes/No	Yes/No	Yes/No	Yes/No	Yes/No	Yes/No	Yes/No	Yes/No	Yes/No	Yes/No
Friday	Yes/No	Yes/No	Yes/No	Yes/No	Yes/No	Yes/No	Yes/No	Yes/No	Yes/No	Yes/No
Saturday	Yes/No	Yes/No	Yes/No	Yes/No	Yes/No	Yes/No	Yes/No	Yes/No	Yes/No	Yes/No
Holidays										
Xept Holiday	Yes/No	Yes/No	Yes/No	Yes/No	Yes/No	Yes/No	Yes/No	Yes/No	Yes/No	Yes/No
Holiday 1	Yes/No	Yes/No	Yes/No	Yes/No	Yes/No	Yes/No	Yes/No	Yes/No	Yes/No	Yes/No
Holiday 2	Yes/No	Yes/No	Yes/No	Yes/No	Yes/No	Yes/No	Yes/No	Yes/No	Yes/No	Yes/No
Holiday 3	Yes/No	Yes/No	Yes/No	Yes/No	Yes/No	Yes/No	Yes/No	Yes/No	Yes/No	Yes/No
Holiday 4	Yes/No	Yes/No	Yes/No	Yes/No	Yes/No	Yes/No	Yes/No	Yes/No	Yes/No	Yes/No

Default values are shown in () or in **bold**

RADXSKED Handler

Skeds (continued)

Skeds 21 to 30

	Sked 21	Sked 22	Sked 23	Sked 24	Sked 25	Sked 26	Sked 27	Sked 28	Sked 29	Sked 30
Time Edit	Yes/No	Yes/No	Yes/No	Yes/No	Yes/No	Yes/No	Yes/No	Yes/No	Yes/No	Yes/No
Function Code	__	__	__	__	__	__	__	__	__	__
Parameter 1	_____	_____	_____	_____	_____	_____	_____	_____	_____	_____
Parameter 2	_____	_____	_____	_____	_____	_____	_____	_____	_____	_____
Time	__:__	__:__	__:__	__:__	__:__	__:__	__:__	__:__	__:__	__:__
Date	__/__/__	__/__/__	__/__/__	__/__/__	__/__/__	__/__/__	__/__/__	__/__/__	__/__/__	__/__/__
Day of Week										
Sunday	Yes/No	Yes/No	Yes/No	Yes/No	Yes/No	Yes/No	Yes/No	Yes/No	Yes/No	Yes/No
Monday	Yes/No	Yes/No	Yes/No	Yes/No	Yes/No	Yes/No	Yes/No	Yes/No	Yes/No	Yes/No
Tuesday	Yes/No	Yes/No	Yes/No	Yes/No	Yes/No	Yes/No	Yes/No	Yes/No	Yes/No	Yes/No
Wednesday	Yes/No	Yes/No	Yes/No	Yes/No	Yes/No	Yes/No	Yes/No	Yes/No	Yes/No	Yes/No
Thursday	Yes/No	Yes/No	Yes/No	Yes/No	Yes/No	Yes/No	Yes/No	Yes/No	Yes/No	Yes/No
Friday	Yes/No	Yes/No	Yes/No	Yes/No	Yes/No	Yes/No	Yes/No	Yes/No	Yes/No	Yes/No
Saturday	Yes/No	Yes/No	Yes/No	Yes/No	Yes/No	Yes/No	Yes/No	Yes/No	Yes/No	Yes/No
Holidays										
Xept Holiday	Yes/No	Yes/No	Yes/No	Yes/No	Yes/No	Yes/No	Yes/No	Yes/No	Yes/No	Yes/No
Holiday 1	Yes/No	Yes/No	Yes/No	Yes/No	Yes/No	Yes/No	Yes/No	Yes/No	Yes/No	Yes/No
Holiday 2	Yes/No	Yes/No	Yes/No	Yes/No	Yes/No	Yes/No	Yes/No	Yes/No	Yes/No	Yes/No
Holiday 3	Yes/No	Yes/No	Yes/No	Yes/No	Yes/No	Yes/No	Yes/No	Yes/No	Yes/No	Yes/No
Holiday 4	Yes/No	Yes/No	Yes/No	Yes/No	Yes/No	Yes/No	Yes/No	Yes/No	Yes/No	Yes/No

Skeds 31 to 40

	Sked 31	Sked 32	Sked 33	Sked 34	Sked 35	Sked 36	Sked 37	Sked 38	Sked 39	Sked 40
Time Edit	Yes/No	Yes/No	Yes/No	Yes/No	Yes/No	Yes/No	Yes/No	Yes/No	Yes/No	Yes/No
Function Code	__	__	__	__	__	__	__	__	__	__
Parameter 1	_____	_____	_____	_____	_____	_____	_____	_____	_____	_____
Parameter 2	_____	_____	_____	_____	_____	_____	_____	_____	_____	_____
Time	__:__	__:__	__:__	__:__	__:__	__:__	__:__	__:__	__:__	__:__
Date	__/__/__	__/__/__	__/__/__	__/__/__	__/__/__	__/__/__	__/__/__	__/__/__	__/__/__	__/__/__
Day of Week										
Sunday	Yes/No	Yes/No	Yes/No	Yes/No	Yes/No	Yes/No	Yes/No	Yes/No	Yes/No	Yes/No
Monday	Yes/No	Yes/No	Yes/No	Yes/No	Yes/No	Yes/No	Yes/No	Yes/No	Yes/No	Yes/No
Tuesday	Yes/No	Yes/No	Yes/No	Yes/No	Yes/No	Yes/No	Yes/No	Yes/No	Yes/No	Yes/No
Wednesday	Yes/No	Yes/No	Yes/No	Yes/No	Yes/No	Yes/No	Yes/No	Yes/No	Yes/No	Yes/No
Thursday	Yes/No	Yes/No	Yes/No	Yes/No	Yes/No	Yes/No	Yes/No	Yes/No	Yes/No	Yes/No
Friday	Yes/No	Yes/No	Yes/No	Yes/No	Yes/No	Yes/No	Yes/No	Yes/No	Yes/No	Yes/No
Saturday	Yes/No	Yes/No	Yes/No	Yes/No	Yes/No	Yes/No	Yes/No	Yes/No	Yes/No	Yes/No
Holidays										
Xept Holiday	Yes/No	Yes/No	Yes/No	Yes/No	Yes/No	Yes/No	Yes/No	Yes/No	Yes/No	Yes/No
Holiday 1	Yes/No	Yes/No	Yes/No	Yes/No	Yes/No	Yes/No	Yes/No	Yes/No	Yes/No	Yes/No
Holiday 2	Yes/No	Yes/No	Yes/No	Yes/No	Yes/No	Yes/No	Yes/No	Yes/No	Yes/No	Yes/No
Holiday 3	Yes/No	Yes/No	Yes/No	Yes/No	Yes/No	Yes/No	Yes/No	Yes/No	Yes/No	Yes/No
Holiday 4	Yes/No	Yes/No	Yes/No	Yes/No	Yes/No	Yes/No	Yes/No	Yes/No	Yes/No	Yes/No

RADXSKED Handler

Default values are shown in () or in **bold**

Skeds (continued)

Sked Function Codes

Function	Function Code	Parameter 1		Parameter 2	
		Description	Selection	Description	Selection
Blank Not in use (all inactive Skeds must have a Blank entry in Function Code for panel efficiency).					
Arm Area	1	Area 1 Area 2 Area 3 Area 4 Area 5 Area 6 Area 7 Area 8	Yes / No Yes / No Yes / No Yes / No Yes / No Yes / No Yes / No Yes / No		
Disarm Area	2	Area 1 Area 2 Area 3 Area 4 Area 5 Area 6 Area 7 Area 8	Yes / No Yes / No Yes / No Yes / No Yes / No Yes / No Yes / No Yes / No		
Bypass a Point A point can be bypassed only if you program it to allow bypassing in Point Parameters. The bypassed point is reported if Bypass Reports is programmed Yes for the point.	3	Point Number	Blank, 1 - 75, 76 - 127*, 129 - 247*		
Unbypass a Point	4	Point Number	Blank, 1 - 75, 76 - 127*, 129 - 247*		
Unbypass All Points	5	Area 1 Area 2 Area 3 Area 4 Area 5 Area 6 Area 7 Area 8	Yes / No Yes / No Yes / No Yes / No Yes / No Yes / No Yes / No Yes / No		
Relay On	6	Relay Number	Blank, 1 - 64, 65 - 128**		
Relay Off.	7	Relay Number	Blank, 1 - 64, 65 - 128**		
All Relays Off	8	None			

* Points 76 to 127 and 129 to 247 are available with the D9412GV3 only.

** Relays 65 to 128 are available with the D9412GV3 only.

Default values are shown in () or in **bold**

RADXSKEK Handler

Skeds (continued)**Sked Function Codes (continued)**

Function	Function Code	Parameter 1		Parameter 2	
		Description	Selection	Description	Selection
Blank Not in use (all inactive Skeds must have a Blank entry in Function Code for panel efficiency).					
Test Report Generates a test report. The report is sent to the Phone(s) programmed in the Phone Routing Chart.	9	Defer Test	Yes / No	Hourly Test Report	Yes / No
Status Report	10	Defer Status	Yes / No		
Execute Custom Function .	11	Cmd Center	0 = default 1 - 8	Custom Function	0 = default* 128 - 131, 132 - 143 [†]
Not Used 12					
Adjust Time Forward 1 Hour (Daylight Saving Time adjustment)	13	None			
Adjust Time Backward 1 Hour (Daylight Saving Time adjustment)	14	None			
Sound Watch at Keypad	15	CC 1 CC 2 CC 3 CC 4 CC 5 CC 6 CC 7 CC 8	Yes / No Yes / No Yes / No Yes / No Yes / No Yes / No Yes / No Yes / No		
Access Control Level On	16	Level 1 Level 2 Level 3 Level 4 Level 5 Level 6 Level 7 Level 8 Level 9 Level 10 Level 11 Level 12 Level 13 Level 14	Yes / No Yes / No Yes / No Yes / No Yes / No Yes / No Yes / No Yes / No Yes / No Yes / No Yes / No Yes / No Yes / No Yes / No		

* Not a valid entry if Parameter 1 is a non-zero value.

† Custom Functions 132 to 143 are available with the D9412GV3 only

RADXSKED Handler

Default values are shown in () or in **bold**

Skeds (continued)

Sked Function Codes (continued)

Function	Function Code	Parameter 1		Parameter 2	
		Description	Selection	Description	Selection
Blank Not in use (all inactive Skeds must have a Blank entry in Function Code for panel efficiency).					
Access Control Level Off	17	Level 1	Yes / No		
		Level 2	Yes / No		
		Level 3	Yes / No		
		Level 4	Yes / No		
		Level 5	Yes / No		
		Level 6	Yes / No		
		Level 7	Yes / No		
		Level 8	Yes / No		
		Level 9	Yes / No		
		Level 10	Yes / No		
		Level 11	Yes / No		
		Level 12	Yes / No		
		Level 13	Yes / No		
		Level 14	Yes / No		
Unlock Door <i>Maximum is two Access Doors for the D7412GV3.</i>	18	Door 1	Yes / No		
		Door 2	Yes / No		
		Door 3	Yes / No		
		Door 4	Yes / No		
		Door 5	Yes / No		
		Door 6	Yes / No		
		Door 7	Yes / No		
		Door 8	Yes / No		
Secure Door <i>Maximum is two Access Doors for the D7412GV3.</i>	19	Door 1	Yes / No		
		Door 2	Yes / No		
		Door 3	Yes / No		
		Door 4	Yes / No		
		Door 5	Yes / No		
		Door 6	Yes / No		
		Door 7	Yes / No		
		Door 8	Yes / No		
Lock Door <i>Maximum is two Access Doors for the D7412GV3.</i>	20	Door 1	Yes / No		
		Door 2	Yes / No		
		Door 3	Yes / No		
		Door 4	Yes / No		
		Door 5	Yes / No		
		Door 6	Yes / No		
		Door 7	Yes / No		
		Door 8	Yes / No		

Default values are shown in () or in **bold**

RADXSKED Handler

Skeds (continued)**Sked Function Codes (continued)**

Function	Function Code	Parameter 1		Parameter 2	
		Description	Selection	Description	Selection
Blank Not in use (all inactive Skeds must have a Blank entry in Function Code for panel efficiency).					
Access Granted Events On <i>Maximum is two Access Doors for the D7412GV3.</i>	21	Door 1 Door 2 Door 3 Door 4 Door 5 Door 6 Door 7 Door 8	Yes / No Yes / No Yes / No Yes / No Yes / No Yes / No Yes / No Yes / No		
Access Granted Events Off <i>Maximum is two Access Doors for the D7412GV3.</i>	22	Door 1 Door 2 Door 3 Door 4 Door 5 Door 6 Door 7 Door 8	Yes / No Yes / No Yes / No Yes / No Yes / No Yes / No Yes / No Yes / No		
Access Denied Events On <i>Maximum is two Access Doors for the D7412GV3.</i>	23	Door 1 Door 2 Door 3 Door 4 Door 5 Door 6 Door 7 Door 8	Yes / No Yes / No Yes / No Yes / No Yes / No Yes / No Yes / No Yes / No		
Access Denied Events Off <i>Maximum is two Access Doors for the D7412GV3.</i>	24	Door 1 Door 2 Door 3 Door 4 Door 5 Door 6 Door 7 Door 8	Yes / No Yes / No Yes / No Yes / No Yes / No Yes / No Yes / No Yes / No		
Expanded Off-Normal Test Report	28	None			
Non-Expanded Off-Normal Test Report	29	None			

RADXSKED Handler

Default values are shown in () or in **bold**

Skeds (continued)

Holiday Indexes

Holiday Index #					Holiday Index #					Holiday Index #				
Date	1	2	3	4	Date	1	2	3	4	Date	1	2	3	4
Jan 1					Feb 1					Mar 1				
2					2					2				
3					3					3				
4					4					4				
5					5					5				
6					6					6				
7					7					7				
8					8					8				
9					9					9				
10					10					10				
11					11					11				
12					12					12				
13					13					13				
14					14					14				
15					15					15				
16					16					16				
17					17					17				
18					18					18				
19					19					19				
20					20					20				
21					21					21				
22					22					22				
23					23					23				
24					24					24				
25					25					25				
26					26					26				
27					27					27				
28					28					28				
29					29					29				
30										30				
31										31				

Holiday Index #					Holiday Index #					Holiday Index #				
Date	1	2	3	4	Date	1	2	3	4	Date	1	2	3	4
Apr 1					May 1					Jun 1				
2					2					2				
3					3					3				
4					4					4				
5					5					5				
6					6					6				
7					7					7				
8					8					8				
9					9					9				
10					10					10				
11					11					11				
12					12					12				
13					13					13				
14					14					14				
15					15					15				
16					16					16				
17					17					17				
18					18					18				
19					19					19				
20					20					20				
21					21					21				
22					22					22				
23					23					23				
24					24					24				
25					25					25				
26					26					26				
27					27					27				
28					28					28				
29					29					29				
30					30					30				
					31									

Default values are shown in () or in **bold**

RADXSKED Handler

Skeds (continued)

Holiday Indexes (continued)

Holiday Index #					Holiday Index #					Holiday Index #				
Date	1	2	3	4	Date	1	2	3	4	Date	1	2	3	4
Jul 1					Aug 1					Sep 1				
2					2					2				
3					3					3				
4					4					4				
5					5					5				
6					6					6				
7					7					7				
8					8					8				
9					9					9				
10					10					10				
11					11					11				
12					12					12				
13					13					13				
14					14					14				
15					15					15				
16					16					16				
17					17					17				
18					18					18				
19					19					19				
20					20					20				
21					21					21				
22					22					22				
23					23					23				
24					24					24				
25					25					25				
26					26					26				
27					27					27				
28					28					28				
29					29					29				
30					30					30				
31					31									

Holiday Index #					Holiday Index #					Holiday Index #				
Date	1	2	3	4	Date	1	2	3	4	Date	1	2	3	4
Oct 1					Nov 1					Dec 1				
2					2					2				
3					3					3				
4					4					4				
5					5					5				
6					6					6				
7					7					7				
8					8					8				
9					9					9				
10					10					10				
11					11					11				
12					12					12				
13					13					13				
14					14					14				
15					15					15				
16					16					16				
17					17					17				
18					18					18				
19					19					19				
20					20					20				
21					21					21				
22					22					22				
23					23					23				
24					24					24				
25					25					25				
26					26					26				
27					27					27				
28					28					28				
29					29					29				
30					30					30				
31										31				

RADXSKE D HandlerDefault values are shown in () or in **bold****SDI Automation**

Enable SDI Auto Yes / **No** Supervise SDI 80 Yes / **No** DTR Control _____
 Baud Rate (9600) _____ RTS Control _____ Status Rate 0) _____
 Parity / Stop (No / 1) _____

SDI RPS Parameters

Enable SDI RPS **Yes** / No RPS IP Address 4 (0) _____ RPS Line Monitor Yes / **No**
 Call Back Enabled Yes / **No** RPS Port Number (7700) _____ Seize Relay Yes / **No**
 RPS IP Address 1 (0) _____ Enable External Modem Yes / **No** Modem Init String _____
 RPS IP Address 2 (0) _____ Answer Armed (7) _____ RPS Dial String _____
 RPS IP Address 3 (0) _____ Answer Disarmed (7) _____

Enhanced Communication

Enable Enhanced Comm Yes / **No**
 Path 1 IP Add1 (0) _____ Path 2 IP Add1 (0) _____ Path 3 IP Add1 (0) _____ Path 4 IP Add1 (0) _____
 Path 1 IP Add2 (0) _____ Path 2 IP Add2 (0) _____ Path 3 IP Add2 (0) _____ Path 4 IP Add2 (0) _____
 Path 1 IP Add3 (0) _____ Path 2 IP Add3 (0) _____ Path 3 IP Add3 (0) _____ Path 4 IP Add3 (0) _____
 Path 1 IP Add4 (0) _____ Path 2 IP Add4 (0) _____ Path 3 IP Add4 (0) _____ Path 4 IP Add4 (0) _____
 Path 1 Port No. (7700) _____ Path 2 Port No. (7700) _____ Path 3 Port No. (7700) _____ Path 4 Port No. (7700) _____
 Path 1 Poll Rate (0) _____ Path 2 Poll Rate (0) _____ Path 3 Poll Rate (0) _____ Path 4 Poll Rate (0) _____
 Path 1 Ack Wait (13) _____ Path 2 Ack Wait (13) _____ Path 3 Ack Wait (13) _____ Path 4 Ack Wait (13) _____
 Path 1 Retry Count (5) _____ Path 2 Retry Count (5) _____ Path 3 Retry Count (5) _____ Path 4 Retry Count (5) _____
 Path 1 Anti-Replay _____ Path 2 Anti-Replay _____ Path 3 Anti-Replay _____ Path 4 Anti-Replay _____
 Yes/**No*** Yes/**No*** Yes/**No*** Yes/**No***

* Anti-replay is always enabled on the control panel. The D5200 Handheld Programmer selection of No does not disable anti-replay.

Route Group Rates

RG1 1 Faster Rate Yes / **No** RG3 1Faster Rate Yes / **No**
 RG2 1 Faster Rate Yes / **No** RG4 1 Faster Rate Yes / **No**

SDI RPS / Enhanced Communication Configuration

Baud Rate (9600) _____ DTR Control (On) _____
 Parity / Stop (No / 1) _____ Supervise SDI 88 Yes / **No**
 RTS Control (On) _____ Supervise SDI 92 Yes / **No**

Miscellaneous

Fire Supv Res Event (0) _____ Fire Trouble Resound (0) _____ Passcode Length (0) _____
 Early Ambush Time (10) _____ Second Ambush Code **Unique** / Any Swinger Count (1) _____
 Abort Window (30) _____ Fire Summary Sustain Yes / **No** Remote Warning **Yes** / No
 Early Armed Relay Yes / **No** Crystal Time Adjust Yes / **No** Perimeter Relay Yes / **No**

Default values are shown in () or in **bold****RADXAXS Handler****Cross Point Parameters**

Cross Point Time (20) _____

Door Profile

	Door 1	Door 2	Door 3 [†]	Door 4 [†]	Door 5 [†]	Door 6 [†]	Door 7 [†]	Door 8 [†]
Entry Area # (blank)	_____	_____	_____	_____	_____	_____	_____	_____
CC# Scope (1)	_____	_____	_____	_____	_____	_____	_____	_____
Custom Function	_____	_____	_____	_____	_____	_____	_____	_____
Door Point (blank)*	_____	_____	_____	_____	_____	_____	_____	_____
Interlock Point (blank)*	_____	_____	_____	_____	_____	_____	_____	_____
Auto Door?	Yes / No	Yes / No	Yes / No	Yes / No	Yes / No	Yes / No	Yes / No	Yes / No
Fire Unlock?	Yes / No	Yes / No	Yes / No	Yes / No	Yes / No	Yes / No	Yes / No	Yes / No
Disarm On Open?	Yes / No	Yes / No	Yes / No	Yes / No	Yes / No	Yes / No	Yes / No	Yes / No
Card Type**	0	0	0	0	0	0	0	0

* Points 128 and 248 are reserved for an internal panel function and not valid selections. When using the D7412GV3, the valid point range is 1 to 75.

** Although Card Type is visible, this prompt must remain at 0 for 26 bit Wiegand format.

[†] Doors 3 through 8 available with the D9412GV3 only.

Strike Profile

	Door 1	Door 2	Door 3 [†]	Door 4 [†]	Door 5 [†]	Door 6 [†]	Door 7 [†]	Door 8 [†]
Strike Time (10)	_____	_____	_____	_____	_____	_____	_____	_____
Shunt Time (10)	_____	_____	_____	_____	_____	_____	_____	_____
Buzz Time (2)	_____	_____	_____	_____	_____	_____	_____	_____
Extend Time (10)	_____	_____	_____	_____	_____	_____	_____	_____
Deactivate On Open?	Yes / No	Yes / No	Yes / No	Yes / No	Yes / No	Yes / No	Yes / No	Yes / No
RTE Shunt Only?	Yes / No	Yes / No	Yes / No	Yes / No	Yes / No	Yes / No	Yes / No	Yes / No
REX Shunt Only?	Yes / No	Yes / No	Yes / No	Yes / No	Yes / No	Yes / No	Yes / No	Yes / No

[†] Doors 3 through 8 available with the D9412GV3 only.

Event Profile

	Door 1	Door 2	Door 3 [†]	Door 4 [†]	Door 5 [†]	Door 6 [†]	Door 7 [†]	Door 8 [†]
Access Granted?	Yes / No	Yes / No	Yes / No	Yes / No	Yes / No	Yes / No	Yes / No	Yes / No
No Entry?	Yes / No	Yes / No	Yes / No	Yes / No	Yes / No	Yes / No	Yes / No	Yes / No
Enter Request?	Yes / No	Yes / No	Yes / No	Yes / No	Yes / No	Yes / No	Yes / No	Yes / No
Exit Request?	Yes / No	Yes / No	Yes / No	Yes / No	Yes / No	Yes / No	Yes / No	Yes / No

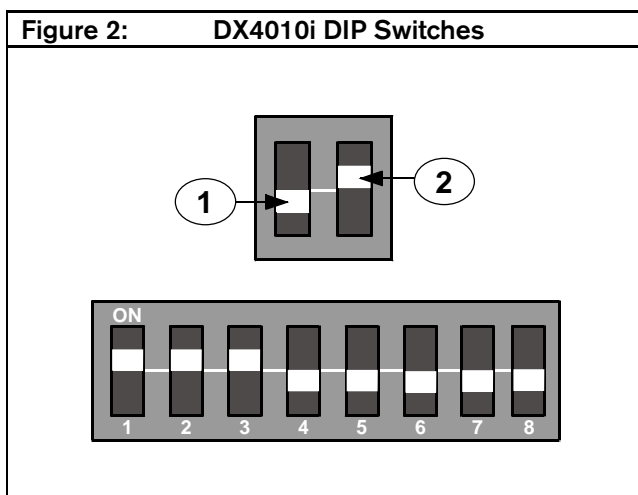
[†] Doors 3 through 8 available with the D9412GV3 only.

RADSKED Handler

Default values are shown in () or in **bold**

Door Information

Door 1	Door 5
Door 2	Door 6
Door 3	Door 7
Door 4	Door 8



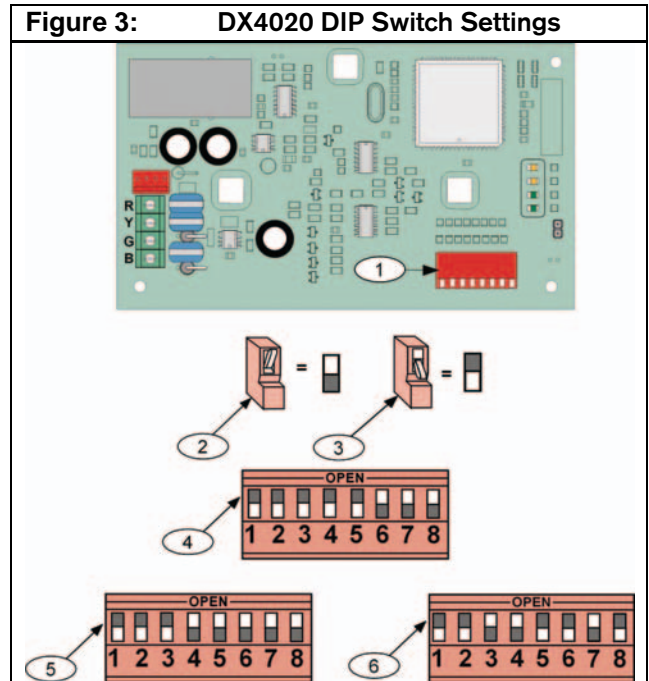
1 - OFF position

2 - ON position

Setting shown is for Address 88. For Address 80, move Switch 4 up to the ON position.



The DX4010i has not been investigated by UL.



1 - DIP Switches

2 - ON position

4 - SDI Address 80 switch settings

5 - SDI Address 88 switch settings

6 - SDI Address 92 switch settings

Default values are shown in () or in **bold**

RADXAXS Handler

DX4010i Serial Interface Module Programming Tool

The switches must be set to Address 80 for home or building automation purposes.

The switches must be set to Address 88 for use with RPS or alternate communications in a LAN or WAN application.

Note: UL requires that the DX4010i be used for programming only.

Address	Switch Number							
	1	2	3	4	5	6	7	8
80	ON	ON	ON	ON	N/A	N/A	OFF	N/A
88	ON	ON	ON	OFF	N/A	N/A	OFF	N/A

DX4020 Network Interface Module

The switches must be set to Address 80 for home or building automation purposes.

The switches must be set to Address 88 or 92 for use with RPS or alternate communications in a LAN or WAN application.

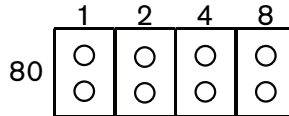
Address	Switch Number							
	1	2	3	4	5	6	7	8
80	Closed	Closed	Closed	Closed	N/A	N/A	Open	N/A
88	Closed	Closed	Closed	Open	N/A	N/A	Open	N/A
92	Closed	Closed	Open	Open	N/A	N/A	Open	N/A



Use Address 88 for enhanced direct connect RPS programming with the DX4010i or DX4010iV2 Serial Interface Module. Address 88 or 92 can be used with the DX4020 or the ITS-DX4020-G for network RPS programming as well as communication to a compatible central station.

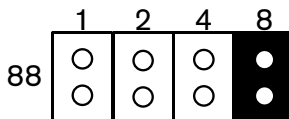
D9133 Serial Interface Module Programming Tool

No jumper settings are required for the D9133 (SDI Address 80) for home or building automation purposes. All jumper shunts must be removed for this setting.



D9133DC Direct Connect Module

A jumper must be placed over Pin 8 (SDI Address 88) for RPS and/or alternate communications in a LAN or WAN application. Note: UL requires that the D9133 be used for programming only.



D9210B Switch Settings

Door Controller	Address Switches*					
	1	2	3	4	5	6
1	On	On	On	On	On	On
2	Off	On	On	On	On	On
3 [†]	On	Off	On	On	On	On
4 [†]	Off	Off	On	On	On	On
5 [†]	On	On	Off	On	On	On
6 [†]	Off	On	Off	On	On	On
7 [†]	On	Off	Off	On	On	On
8 [†]	Off	Off	Off	On	On	On

Note: On = SDI Fail Open (default), Off = SDI Fail Door Close

* Switches 1-3: Address Setting, Switch 4: Fail Safe Mode, Switches 5 & 6 must stay in the "On" position.

[†] Available with the D9412GV3 only.

Printer Address Settings

Printer	Address Switches					
	1	2	3	4*	5	6
17	On	On	On	On	On	On
18 [†]	Off	On	On	On	On	On
19 [†]	On	Off	On	On	On	On

* Switch 4: On = Header and Form Feed (default), Off = No Header or Form Feed

[†] Available with the D9412GV3 only.

D8128C OctoPOPIT Switch Settings

ZONEX 1** Points 9 to 120	Address Switches					ZONEX 2** Points 129 to 240
	0	1	2	3	4	
9-16	On	On	On	On	*	129-136 [†]
17-24	On	On	On	Off	*	137-144 [†]
25-32	On	On	Off	On	*	145-152 [†]
33-40	On	On	Off	Off	*	153-160 [†]
41-48	On	Off	On	On	*	161-168 [†]
49-56	On	Off	On	Off	*	169-176 [†]
57-64	On	Off	Off	On	*	177-184 [†]
65-72	On	Off	Off	Off	*	185-192 [†]
73-80 [†]	Off	On	On	On	*	193-200 [†]
81-88 [†]	Off	On	On	Off	*	201-208 [†]
89-96 [†]	Off	On	Off	On	*	209-216 [†]
97-104 [†]	Off	On	Off	Off	*	217-224 [†]
105-112 [†]	Off	Off	On	On	*	225-232 [†]
113-120 [†]	Off	Off	On	Off	*	233-240 [†]
121-127***	Do Not Use D8128C					241-247***

* Line Termination Switch

** D9412GV3 uses Points 9-120 on ZONEX 1 and Points 129-240 on ZONEX 2.

*** When using D8128C OctoPOPITs, use a D8125 POPEX module and D9127 POPIT modules for configuring Points 121-127 and Points 241-247.

[†] Available with the D9412GV3 only.

Keypad Assignments

Address #	Address Switches					
	1	2	3	4	5*	6
Address 1	On	On	On	On	On	On
Address 2	Off	On	On	On	On	On
Address 3	On	Off	On	On	On	On
Address 4	Off	Off	On	On	On	On
Address 5	On	On	Off	On	On	On
Address 6	Off	On	Off	On	On	On
Address 7	On	Off	Off	On	On	On
Address 8	Off	Off	Off	On	On	On

* Switch 5: On = Encoding Tone On (default), Off = Encoding Tone Off

OctoRelay Switch Settings

ZONEX 1 Terminal 28 Relays 1 to 64	Address Switches				ZONEX 2 Terminal 26 Relays 65 to 128
	1	2	3	4	
1 – 8	Off	On	On	On	65 – 72 [†]
9 – 16	On	Off	On	On	73 – 80 [†]
17 – 24	Off	Off	On	On	81 – 88 [†]
25 – 32	On	On	Off	On	89 – 96 [†]
33 – 40	Off	On	Off	On	97 – 104 [†]
41 – 48	On	Off	Off	On	105 – 112 [†]
49 – 56	Off	Off	Off	On	113 – 120 [†]
57 – 64	On	On	On	Off	121 – 128 [†]

[†] Available with the D9412GV3 only.

D8128D OctoPOPIT Switch Settings

ZONEX 1 Points 9 to 127	Address Switches					ZONEX 2 Points 129 to 247
	1	2	3	4	5	
9-16	On	On	On	On	*	129-136 [†]
17-24	On	On	On	Off	*	137-144 [†]
25-32	On	On	Off	On	*	145-152 [†]
33-40	On	On	Off	Off	*	153-160 [†]
41-48	On	Off	On	On	*	161-168 [†]
49-56	On	Off	On	Off	*	169-176 [†]
57-64	On	Off	Off	On	*	177-184 [†]
65-72	On	Off	Off	Off	*	185-192 [†]
73-80 [†]	Off	On	On	On	*	193-200 [†]
81-88 [†]	Off	On	On	Off	*	201-208 [†]
89-96 [†]	Off	On	Off	On	*	209-216 [†]
97-104 [†]	Off	On	Off	Off	*	217-224 [†]
105-112 [†]	Off	Off	On	On	*	225-232 [†]
113-120 [†]	Off	Off	On	Off	*	233-240 [†]
121-127** [†]	Off	Off	Off	On	*	241-247** [†]

* Line Termination Switch

** For the OctoPOPITs assigned to Points 121-127 and Points 241-247, be sure to set Point Input Switch 8 to the OPEN position.

[†] Available with the D9412V2GV2 only

Notes

Bosch Security Systems, Inc.
130 Perinton Parkway
Fairport, NY, 14450
USA
www.boschsecurity.com

© Bosch Security Systems, Inc., 2010
F01U143072-02



BOSCH