

Ceiling loudspeaker

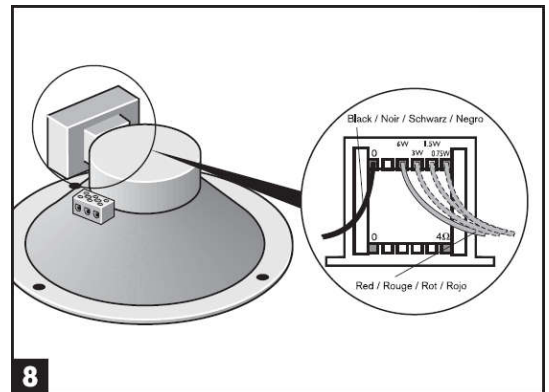
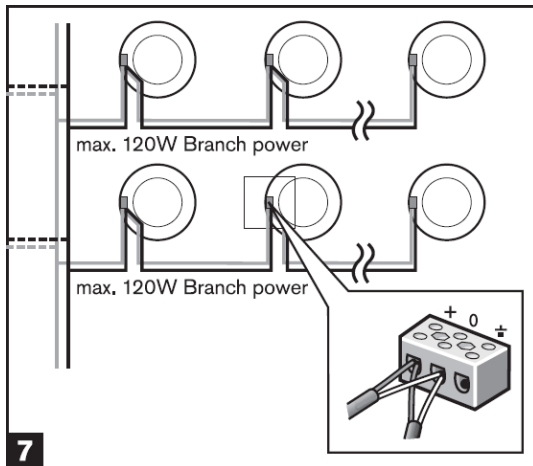
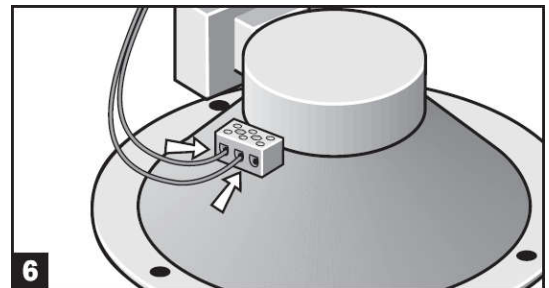
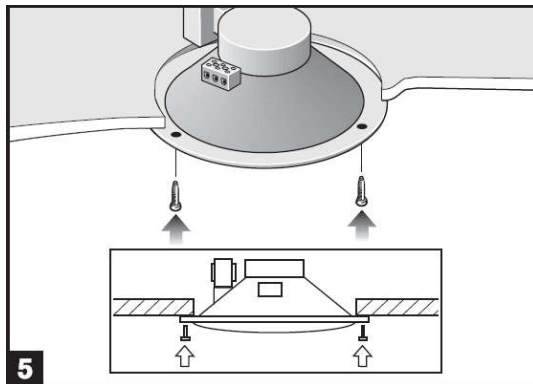
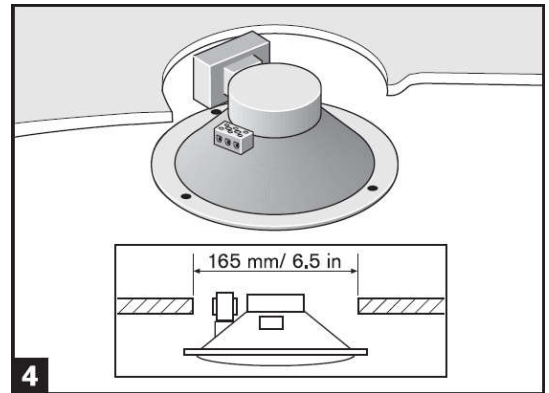
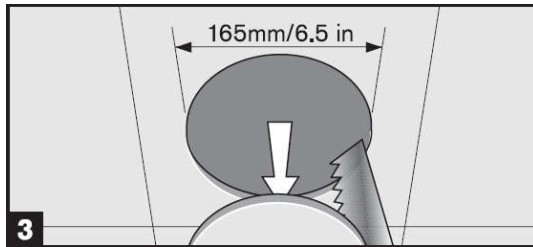
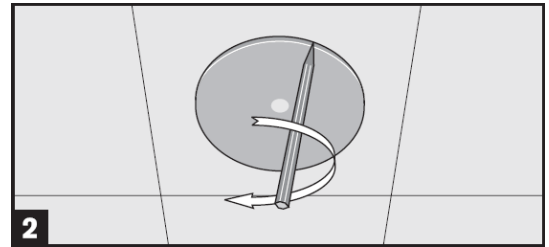
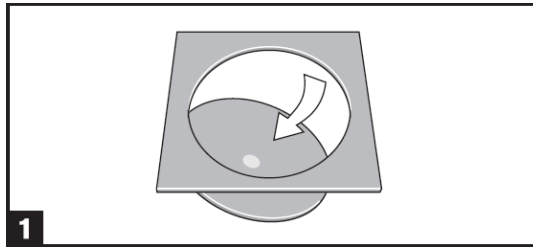
LBC 3087/41



BOSCH

en Installation note

1 Installation



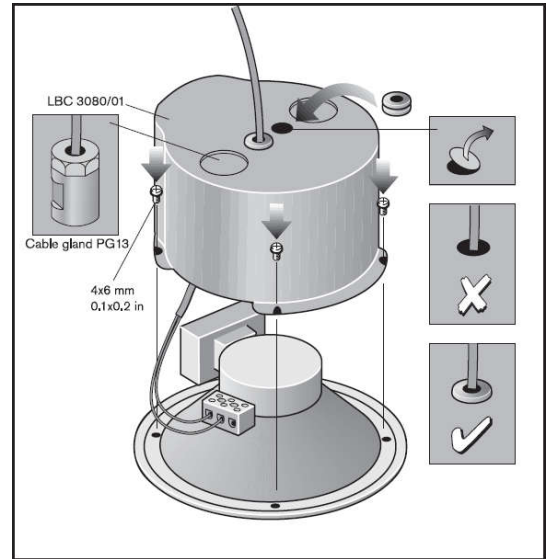
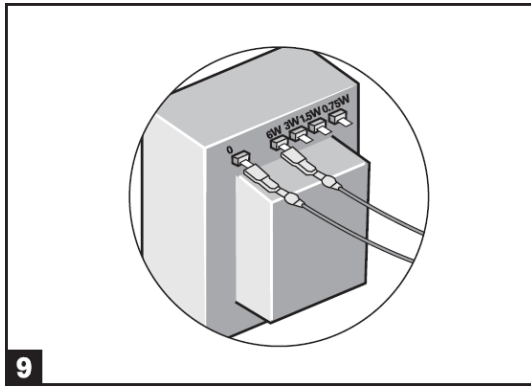


Figure 10

2 Technical data

LBC 3087/41

Electrical*

Maximum power	9 W	
Rated power	6 / 3 / 1.5 / 0.75 W	
Sound pressure level at 6 W / 1 W (1 kHz, 1 m)	97 dB / 89 dB (SPL)	
Sound pressure level at 6 W / 1 W (1 kHz, 4 m)	85 dB / 79 dB (SPL)	
Effective frequency range (-10 dB)	80 Hz to 18 kHz	
Opening angle at 1 kHz / 4 kHz (-6 dB)	160° / 65°	
Rated voltage		100 V
Rated impedance	6 W	1667 Ohm
	3 W	3333 Ohm
	1.5 W	6667 Ohm
	0.75 W	13333 Ohm
Connector	3-pole screw terminal block	

* Technical performance data acc. to IEC 60268-5

Mechanical

Diameter	199 mm (7.8 in)
Maximum depth	70.5 mm (2.8 in)
Mounting cut-out	165 + 5 mm (6.5 + 0.20 in)
Speaker diameter	152.4 mm (6 in)
Weight	720 g (1.6 lb)
Color	White (RAL 9010)
Magnet weight	80 g (2.8 oz)

Environmental

Operating temperature	-25 to +55 °C (-13 °F to +131 °F)
Storage and transport temperature	-40 to +70 °C (-40 °F to +158 °F)
Relative humidity	<95%

LBC 3080/01

Dimensions (dia. x max depth)	147 x 87 mm (5.8 x 3.4 in)
Weight	360 g (0.8 lb)
Color	Flame red (RAL 3000).

Note:

- The specification data is measured in an anechoic chamber, on a standard baffle
- The reference axis is perpendicular to the center point of the front grille
- The reference plane is perpendicular to the center of the reference axis
- The horizontal plane is perpendicular to the center of the reference plane

Certification and Approvals

Certified B15	acc. to DIN 4102
Emergency	Acc. to EN 54-24

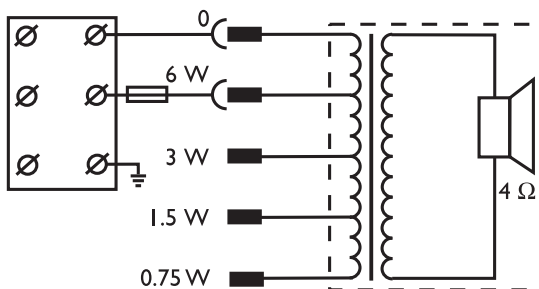


Figure 2.1: Circuit diagram

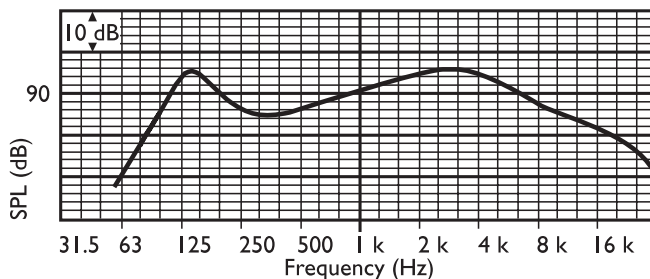


Figure 2.2: Frequency response

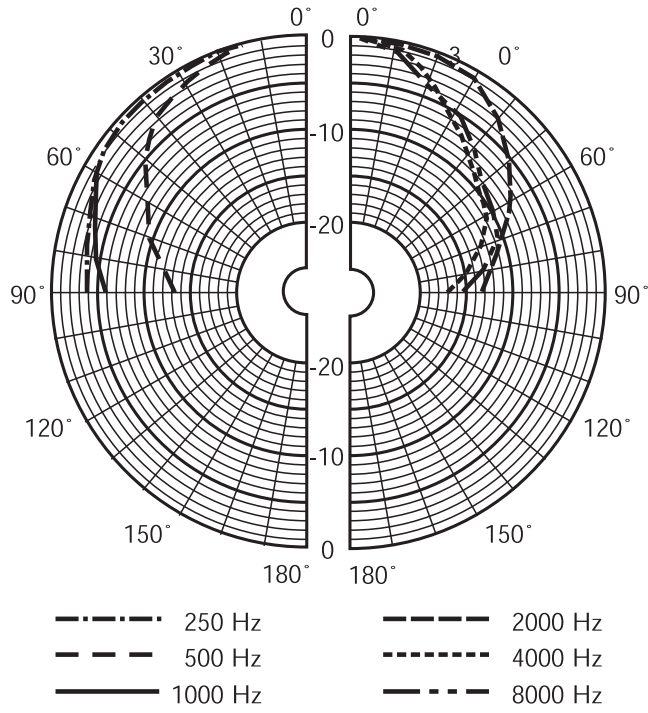


Figure 2.3: Polar diagram (measured with pink noise)

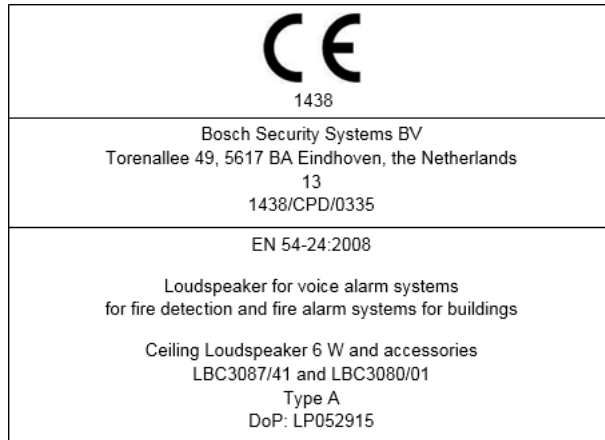


Figure 2.4: CE label

Bosch Security Systems B.V.

Torenallee 49

5617 BA Eindhoven

Netherlands

www.boschsecurity.com

© Bosch Security Systems B.V., 2017