

Manual call points

DM 210 LSN / SM 210 LSN



Summary

1.	Product description	3
2.	Features	3
3.	Planning notes	4
3.1.	Maximum connectable detectors	4
3.2.	Standards, guidelines, projecting recommendations	4
3.3.	Use in explosion endangered areas	5
3.4.	Lettering variants	5
4.	Order list	6
4.1.	Basic scope	6
4.2.	Accessories / Spare parts	6
5.	Construction	7
6.	Functional description	8
6.1.	Push button call point DM 210 LSN	8
6.2.	Single action callpoint SM 210 LSN	8
7.	Installation notes	8
7.1.	Fixing dimensions (Internal view: housing backside)	9
7.2.	Cable feed	9
7.3.	Installation variants for fire hose boxes	10
7.4.	Connection	11
8.	Notes for Maintenance and Service	12
8.1.	Further Documentation	12
8.2.	Disposal	12
9.	Technical data	12
10.	Abbreviations	13

1. Product description

Call points DM 210 LSN and SM 210 LSN are used for manual alarming

Manual call points DM 210 LSN / SM 210 LSN are used within the Local Security Network LSN in association with fire detection central units.

Manual call points SM 210 LSN RW are available in following versions for indoor and outdoor use:

- Push button call point DM 210 LSN (VdS-Approval: pending),
- Single action call point SM 210 LSN (VdS-Approval: pending).

2. Features

- DM 210 LSN: Alarm initiating by breaking the glass plate and pressing the push button.
- SM 210 LSN: Alarm initiating by pushing (breaking) the glass plate.
- Detector request routines with evaluation and multi data transmission.
- Detector identification and address reported at the fire panel in the event of an alarm for a faster fire localization.
- Alarm indication at the detector via a flashing red LED.
- Fixed push button after alarm triggering, at the DM 210 LSN.
- One design for indoor (version G) and outdoor type (version H).
- 3 different colors available (red, blue, yellow).
- Variable lettering possible with self printing foil sets.
- For use in extreme environmental conditions are callpoints for outdoor use (version H) equipped with a especially resistant PCB (parylene coated) and a gasket in the callpoint door.

3. Planning notes

- Manual call points should be installed in easy visible and accessible places.
- Manual call point should be mounted in a height of approx. 1400mm (± 200 mm) above the ground floor.
- Manual call points should be illuminated adequately by daylight or another light source (inclusively safety light if present).
- Manual call points should be installed in rescue- and escaping corridors (i.e. exits, passages, stairways).
- The distance between manual call points should be not more than 100 meters as per DIN 14 675, resp. 80 meters as per VdS.
- At especially endangered areas should manual call points be mounted with maximum 40 meters distance (VDE 0833 Teil 2, Pkt. 7.2.6).

3.1. Maximum connectable detectors

Because of the different current consumption of LSN elements out of the LSN data-line the maximum current consumption value per LSN loop is absolute to aboden. For limit values please refer to the product information of the used fire detection central unit.

3.2. Standards, guidelines, projecting recommendations

See standards, guidelines and projecting recommendations for installation place and so on.

Heed the regulations of the local fire brigades.

3.3. Use in explosion endangered areas



All manual call points type DM 210 LSN and SM 210 LSN are in accordance with device category 3, aerosol group IIB and temperature class T6 of the european guideline 94/9EG (ATEX). Therewith may the callpoints be used in explosion endangered areas of zone 2!

Limit values:

- **Call points may be used only at fire panels with energy limited line output as per EN 50021 .**
 - ☞ This is standard with all Bosch-Fire panels.
- **The line voltage (U_{\max}) may not exceed 33V!**
- **The maximum current (I_{\max}) has to be limited to 130mA!**

Cable for fire detection systems :

- **Only cables as per DIN VDE 0814 may be used.**
- **The whole cable capacity (C_{\max}) may 1 μ F not exceed!**
- **The whole cable inductivity (L_{\max}) may 0,01H not exceed!**
 - ☞ The cable type J-Y(ST)Y08, as per DIN VDE 0815 (Table 10), has a capacity of 120nF with a length of 1000meters.

3.4. Lettering variants

The callpoints have a standard lettering and are adaptable to especially applications with precutted selfprinting blanco foils.

This self adhesive labels will be sticked onto the front plate of the call point.

4. Order list

4.1. Basic scope

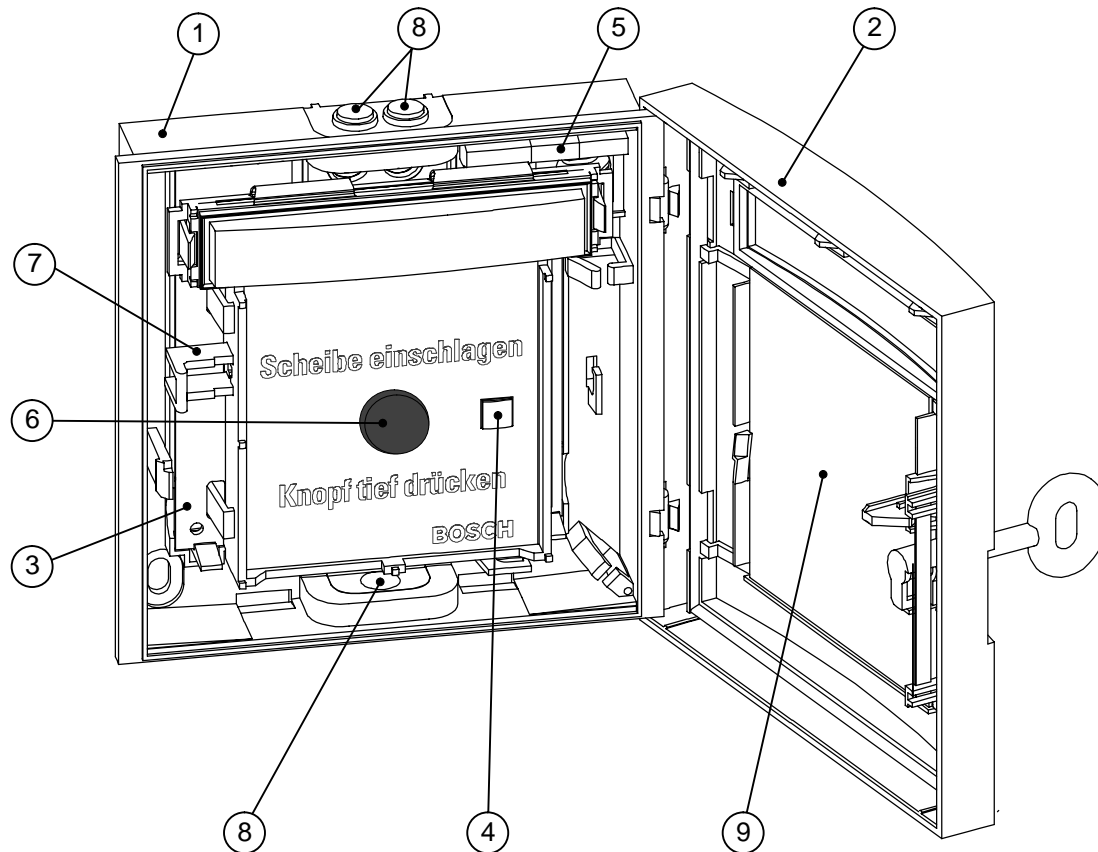
Order number	LE*	Denomination
4.998.063.405	ST	Call point DM 210 LSN, version G, color red
4.998.063.406	ST	Call point DM 210 LSN, version G, color blue
4.998.063.412	ST	Call point DM 210 LSN, version G, color yellow,
4.998.063.413	ST	Call point SM 210 LSN, version G, Farbe rot
4.998.063.414	ST	Call point SM 210 LSN, version G, color blue
4.998.063.407	ST	Call point DM 210 LSN, version H, color red, Door with gasket, PCB is Parylene coated, for increased requirements against corrosion
4.998.063.408	ST	Call point DM 210 LSN, version H, color blue, Door with gasket, PCB is Parylene coated, for increased requirements against corrosion
4.998.063.415	ST	Call point SM 210 LSN, version H, color red, Door with gasket, PCB is Parylene coated, for increased requirements against corrosion
4.998.063.416	ST	Call point SM 210 LSN, version H, color blue, Door with gasket, PCB is Parylene coated, for increased requirements against corrosion

4.2. Accessories / Spare parts

Sachnummer	LE*	Bezeichnung
4.998.001.955	PAK	Pre cutted lettering foils for self printing wit a standard laser printer (1 PAK = 10 sheet, a 6 lettering foils). The required printing data is on the WinPara-Disk.
3.790.170.005	ST	“Außer Betrieb” - metal plate (out of order) Will be inserted instead of the glass plate!
3.756.630.007	ST	Callpoint key (red plastics ASA)
3.789.400.000	PAK	Replacement-glass plates, dimension 80 x 80 x 0,9 mm (1 PAK = 5 pieces)

5. Construction

The manual callpoint is available in different variants and consists of following components.



Pos.	Denomination
1	Plastics housing
2	Door with exchangeable glass plate, covered lock (version H with gasket)
3	PCB (especially coated at version H) The PCB is snapped in at the housing ground plate.
4	Alarm LED
5	Connecting terminals
6	Triggering mechanism (snapped in at the PCB), consists of plastics frame, compression spring and push button.
7	Resetting lever (locking mechanism only at the DM 210 LSN types)
8	Cable bearings (exchangeable), for cable in and out. Cable supply is also possible at the housing backside.
9	Glass plate

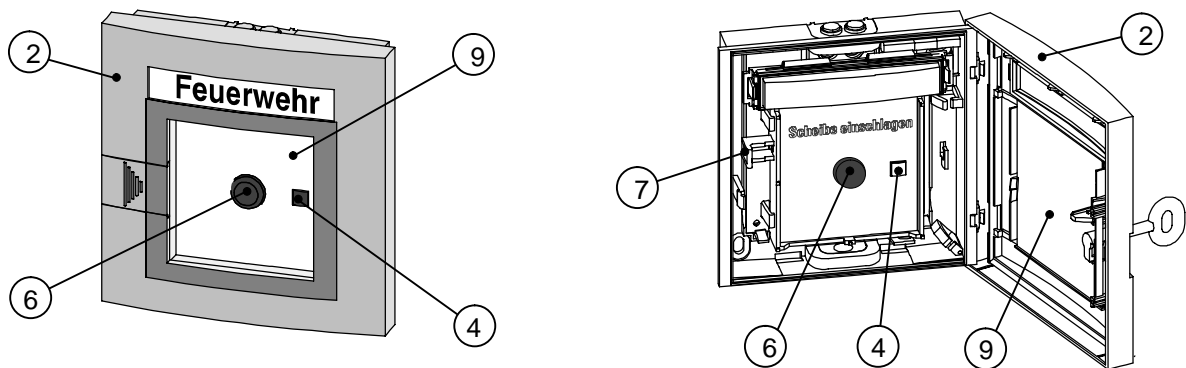
6. Functional description

6.1. Push button call point DM 210 LSN

For fire alarm break the glass plate (9) and press the button (6). Thus releases the micro switch and the alarm LED (4) starts flashing.

A locking mechanism fixes the button in the pressed position.

Resetting follows by pulling the resetting lever (7) or closing the door(2).



6.2. Single action callpoint SM 210 LSN

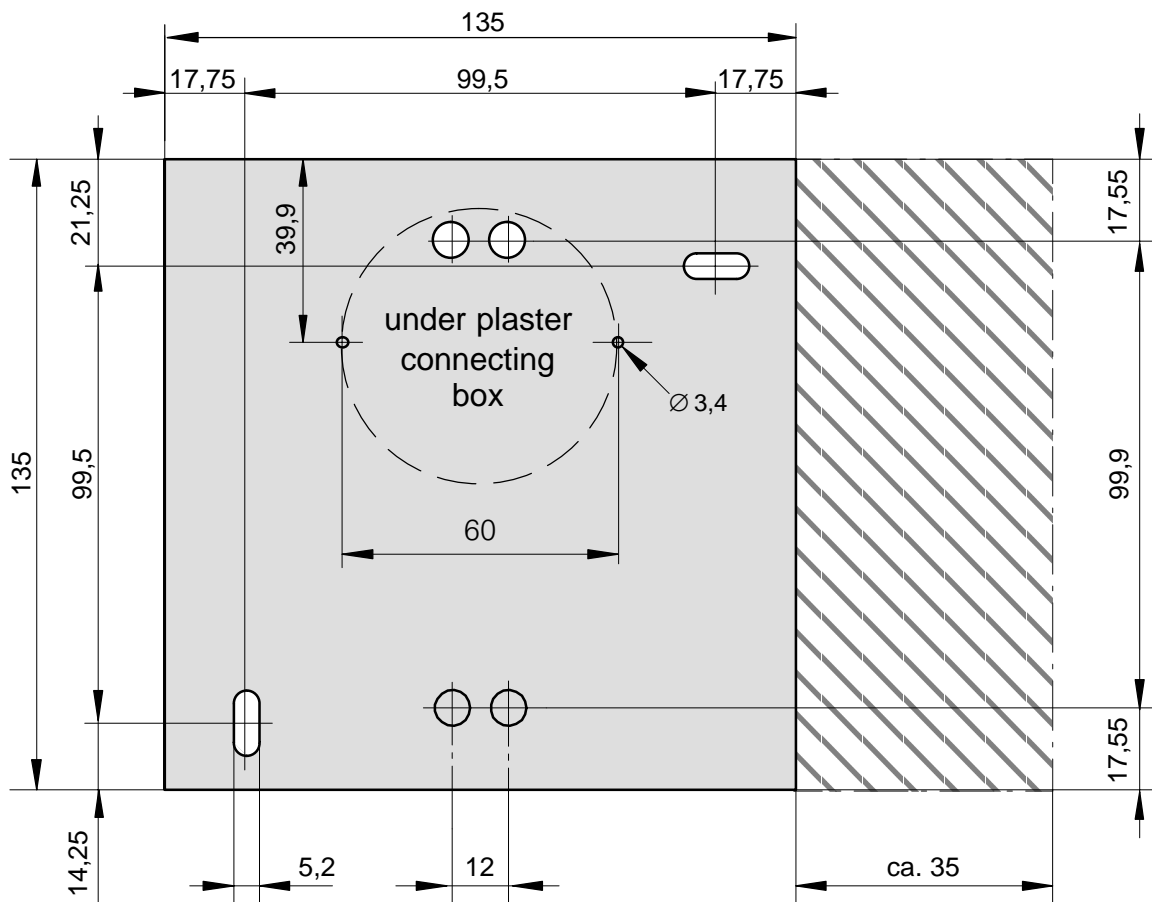
After pushing in the glass plate (9) the alarm will be released by the knob (6) and the LED (4) starts flashing.

The reset follows by replacing the glass plate (9) and closing the door (2).

7. Installation notes

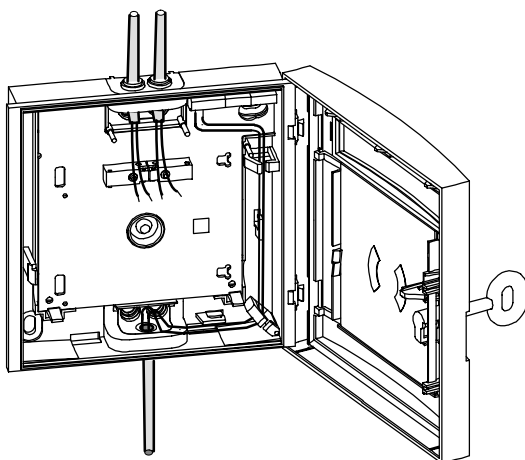
- Callpoints are designed for wall mounting.
- Manual call point should be mounted in a height of approx. 1400mm (± 200 mm) above the ground floor.
- The call points are provided for over plaster and under plaster cable feed.
(see next page, 7.2 Cable feed).
- For opening the call point has to be 35mm space near the right side.

7.1. Fixing dimensions (Internal view: housing backside)

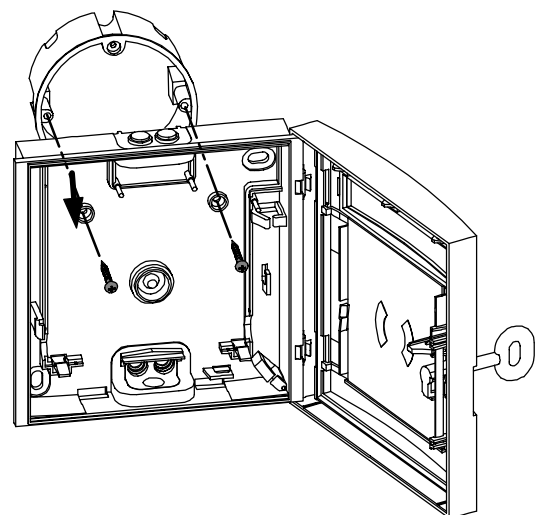


7.2. Cable feed

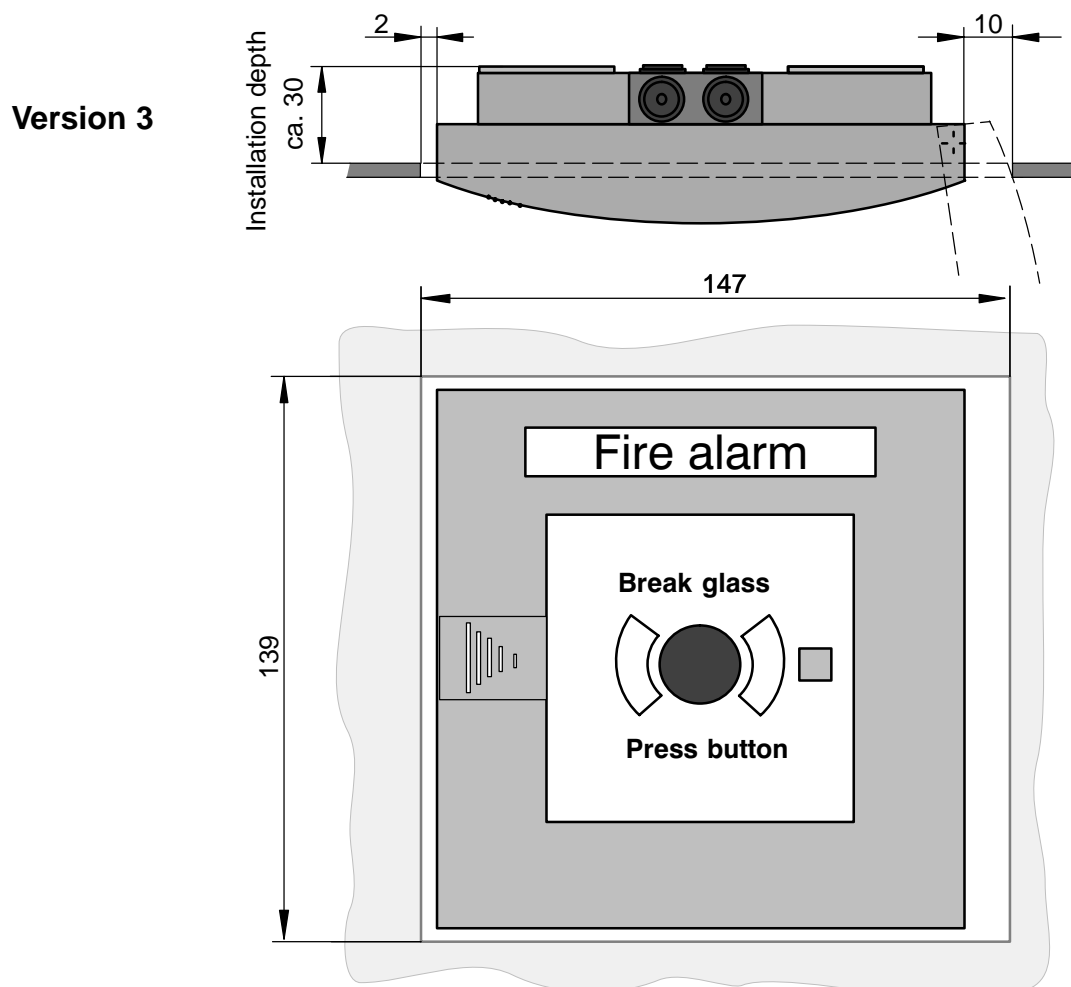
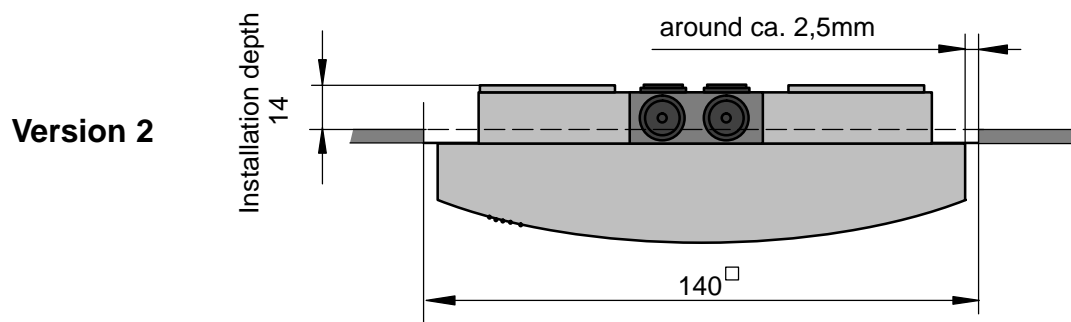
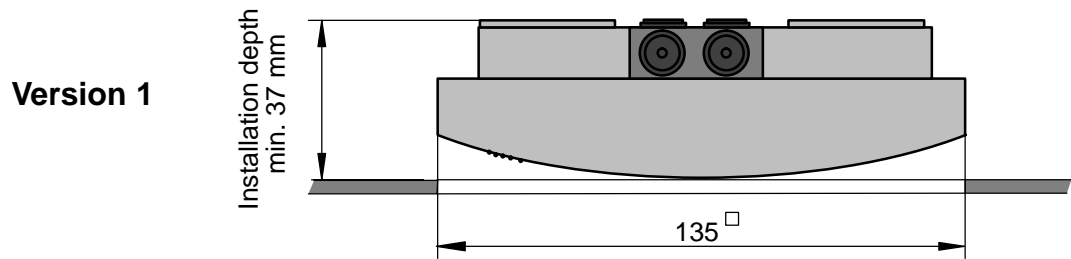
Over plaster cable feed



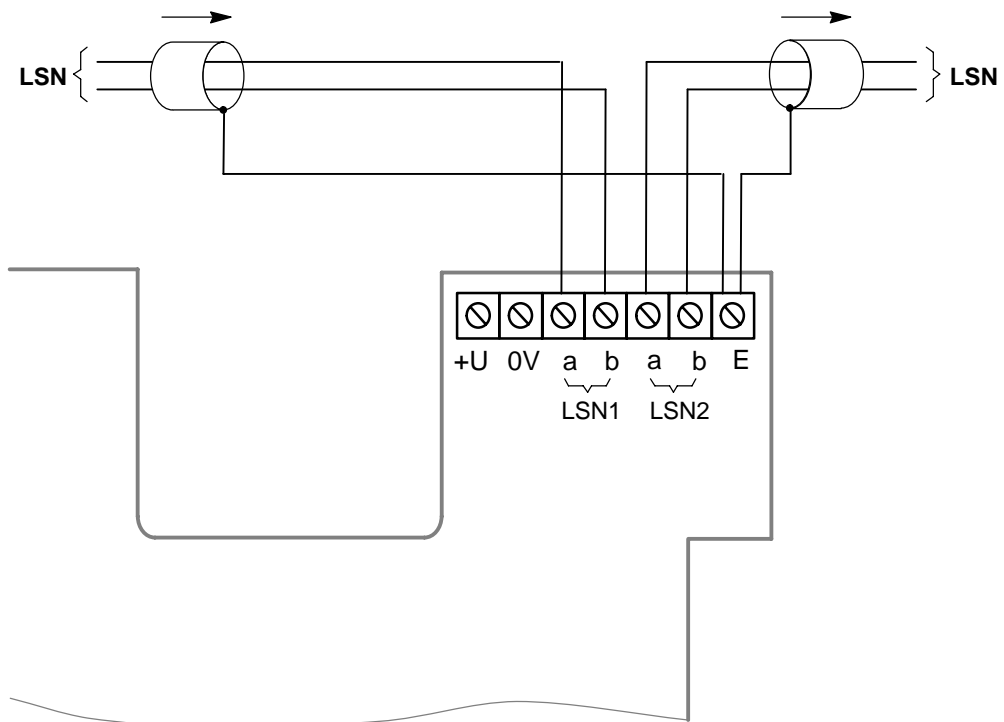
Under plaster cable feed over a connecting box



7.3. Installation variants for fire hose boxes



7.4. Connection



Connection terminals		
+U	rt	power supply for other LSN-Elements i.e. LSN-Couplers
0V	sw	
a LSN1	ws	coming from the fire panel or an upstream LSN element
b LSN1	ge	
a LSN2	ws	going to the next LSN element
b LSN2	ge	
E		ground connection for the screen wire

8. Notes for Maintenance and Service

Maintenance and service works should be undertaken regularly by skilled and trained personnel in accordance with the national legislative requirements.

Faulty detectors under the warranty terms will be replaced free of charge.

8.1. Further Documentation

Order number	DU*	Designation
3.002.218.156	ST	Connection manual AHB BMZ / EMZ
3.002.218.155	ST	Connection manual AHB UGM

*DU = delivery unit, ST = piece



For those with access authorization, on the Bosch ST ExtraNet at www.boschsecurity.com/emea/fire

the current information for each product, as well as the installation instructions supplied with the device, are available for download as a PDF file.

8.2. Disposal

Defective manual call points will be completely replaced and should be disposed according to the legal requirements.

9. Technical data

Voltage rating (LSN):	10V DC . . . 33V DC
Current consumption (LSN):	0.7 mA
IP Rating (as per EN 60529):	IP 52 (indoor versions) IP 54 (outdoor version)
Environmental temperature:	-10°C . . . +55°C (indoor versions) -25°C . . . +75°C (outdoor versions)
Environmental class (VdS):	II (indoor versions) III (outdoor version)
Dimensions (H x B x T):	135 x 135 x 35 mm
Housing material:	Plastic, ABS
Colour:	Red (RAL 3001) Blue (RAL 5005) Yellow (RAL 1003)
Weight:	approx. 450g



10. Abbreviations

- AHB = **A**nschalte**h**and**b**uch / *Connection manual*
- BMZ = **B**rand**m**elde**z**entrale / *Fire panel*
- BM = **B**rand**m**elder / *Fire detector*
- DIN = **D**eutsches **I**nstitut f. **N**ormung / *German institute for standardization*
- EMZ = **E**inbruch**m**elde**z**entrale / *Intrusion panel*
- EN = **E**uropa **N**orm / *European standard*
- GMZ = **G**efahren**m**elde**a**n**l**age / *Security system*
- KI = **K**undendienst **I**nformation / *Maintenance information*
- LED = **L**ight **e**mittend **d**iode
- LPC = **L**oss **p**revention **c**ouncil
- LSN = **L**ocal **S**ecurity **N**etwork
- SM = **S**pringknopf**m**elder / *Manual call point*
- UGM = **U**niverselle **G**efahren**m**elde**z**entrale (*Universal security system panel*)
- VDE = **V**erband **D**eutscher **E**lektrotechniker e.V. / *Association of German Electrotechnicians*



Bosch Security Systems
Robert-Koch-Str. 100
D-85521 Ottobrunn

Info-Service

Telephone: +49 89 6290 - 1039

Fax: +49 89 6290 - 1039

www.boschsecurity.com

info.service@de.bosch.com