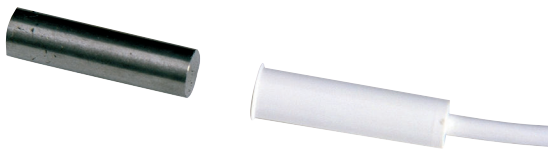


ISP-MCB3-FP110 LSN Built-In Magnetic Contact

www.boschsecurity.com



BOSCH
Invented for life



- ▶ LSN built-in magnetic contact for release monitoring of doors and windows
- ▶ Tamper supervision
- ▶ Head-on flush mounting
- ▶ Installation in ferromagnetic materials is permissible by using the EG2 flush mounting housing
- ▶ For connecting to LSN security systems

The LSN built-in magnetic contact is used for release monitoring of doors and windows. The contact is tamper-supervised. If an external magnet comes close, the tamper contact is activated and causes a report. Head-on flush mounting.

Certifications and approvals

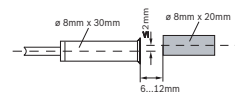
Region	Certification	
Germany	VdS	G111020 ISP-MCB3-FP110
Europe	CE	ISP-MCB2-FP110, ISP-MCB3-FP110, ISP-MCS2-FP110, ISP-MCS3-FP110

Installation/configuration notes

Installation information

- The magnetic contact and magnet are installed head on in window or door frames and window or door jambs.
- The magnet should be fixed in a bore.
- Installation in ferromagnetic materials (metal flush mounting) is only permissible with the optional EG2 flush mounting housing.

Installation distance



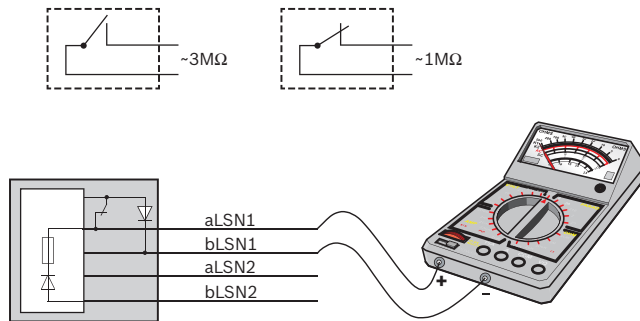
Connecting LSN contacts

- Each LSN contact is a physical LSN element (1 out of 127 possible per loop).
- Include the length of LSN contact connection cables when planning the total line length of the LSN loop, as the LSN technology is integrated in these contacts.
- Position passive elements for connecting the connection cables to the installation cable as close as possible to the LSN contacts, as a 1m connection cable with 2m LSN cable length is included in the calculation of the LSN cable length (LSN is fed into the contacts and back out again).
- Connector boxes (optional) are classified as installation material.

Checking the switch function of the contact

- a) Use a high-ohm multimeter or continuity checker (for diode paths) to check the function of the LSN contact:
 - contact open: approximately 3 megaohm
 - contact closed: approximately 1 megaohm

The resistance values are approximate. A large change in resistance is significant.



Notice

Only the LSN contact can be checked like this. The tamper contact can be checked via the LSN control center or with the LSN checking device (as of software version 3.x).

Parts included

Qty.	Components
1	4 m connection cable
1	Magnet
1	Installation note

Technical specifications

Electrical

Minimum operating voltage in VDC	15
Maximum operating voltage in VDC	33
Maximum current consumption in mA	0.25
Reed contact	NO
Switch tolerance	$\geq 10^7$

Mechanical

Dimension in cm (H x W x D)	1.2 x 1.18 x 4.28
Dimension in cm (Ø x D)	0.8 x 3.0
Material	AlNiCo 500
Housing material	ABS
Color	white
Connection cable	LiY(St)Y 4 x 0,22 mm ² with shield, exterior Ø 3,2 mm, length 4 m

Environmental

Minimum operating temperature in °C	-25
Maximum operating temperature in °C	70
Protection class	IP 68
Environmental class	III

Ordering information

ISP-MCB3-FP110 LSN Built-In Magnetic Contact

For release monitoring of doors and windows, tamper supervision, head-on mounting
 Order number **ISP-MCB3-FP110**

Accessories

EG2 flush mounting housing

For flush mounting the magnetic contact in ferromagnetic materials, head-on installation
 Order number **4998138932**

Represented by:

North America:

Bosch Security Systems, Inc.
130 Perinton Parkway
Fairport, New York, 14450, USA
Phone: +1 800 289 0096
Fax: +1 585 223 9180
security.sales@us.bosch.com
www.boschsecurity.us

Europe, Middle East, Africa:

Bosch Security Systems B.V.
P.O. Box 80002
5617 BA Eindhoven, The Netherlands
Phone: + 31 40 2577 284
Fax: +31 40 2577 330
emea.securitysystems@bosch.com
www.boschsecurity.com

Asia-Pacific:

Robert Bosch (SEA) Pte Ltd, Security
Systems
11 Bishan Street 21
Singapore 573943
Phone: +65 6571 2808
Fax: +65 6571 2699
apr.securitysystems@bosch.com
www.boschsecurity.asia

China:

Bosch (Shanghai) Security Systems Ltd.
203 Building, No. 333 Fuquan Road
North IBP
Changning District, Shanghai
200335 China
Phone +86 21 22181111
Fax: +86 21 22182398
www.boschsecurity.com.cn

Latin America and Caribbean:

Robert Bosch Ltda Security Systems Division
Via Anhanguera, Km 98
CEP 13065-900
Campinas, Sao Paulo, Brazil
Phone: +55 19 2103 2860
Fax: +55 19 2103 2862
latam.boschsecurity@bosch.com
www.boschsecurity.com