

# FMC-210-SM Single Action Call Points

www.boschsecurity.com



**BOSCH**  
Invented for life



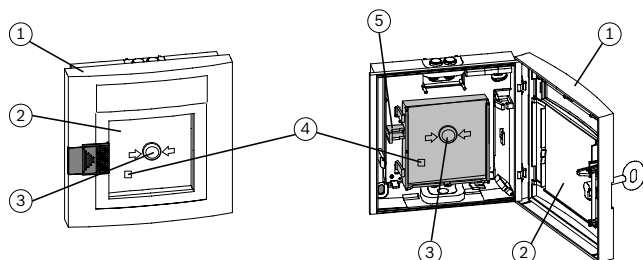
- ▶ Alarm triggering by breaking of the glass pane
- ▶ Automatic address setting and manual setting via rotary switches possible
- ▶ Indicator LED for alarm or for inspection evaluation
- ▶ Call point query routines with evaluation and multiple transmission
- ▶ Individual call point identification

The FMC-210-SM Single Action Call Points are used for manual triggering, and can be used in the Local SecurityNetwork LSN and LSN improved. The FMC-210-SM Single Action Call Points are designed for indoor deployment.

Individual call point identification with display of the call point address on the fire panel ensures the quick location of the triggered call point.

## Functions

## Certifications and approvals



FMC-210-SM-G-R applies to

- EN 54-11:2001/A1:2005
- EN 54-17:2005

With single action call points, the alarm is triggered when the glass plate (2) is broken and the button (3) springs up.

This activates the microswitch for alarm triggering and the indicator LED (4) blinks.

The call point (3) can be reset after inserting a new glass pane (2) and closing the door of the single action call point (1). The indicator LED (4) goes out.

This does not reset the alarm on the fire panel.

Region	Regulatory compliance/quality marks	
Germany	VdS	G 207008 FMC-210-SM-G-R_G207008
Europe	CPD	0786-CPD-20316 FMC-210-SM-G-R

## Installation/configuration notes

- Manual call points must be mounted visibly along escape and rescue routes (e. g. exits, passageways, stairwells) and be easily accessible.
- An installation height of 1400 mm ±200 mm, measured from the middle of the manual call point to the floor, must be maintained.
- Manual call points must be adequately illuminated by sunlight or another light source (including emergency lighting if present).

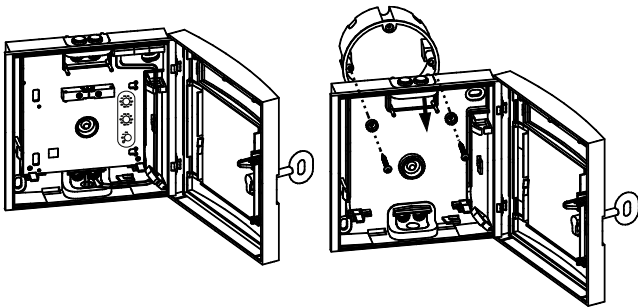
- The maximum number of LSN elements that may be connected depends on their current consumption from the LSN data line. The limit values should be taken from the product information supplied with the fire panel used.
- Further standards, guidelines and planning recommendations regarding the installation location etc., should also be taken into consideration (see Fire Detection manual).
- The regulations of the local fire services must be observed.

### Installation notes in accordance with VdS/VDE

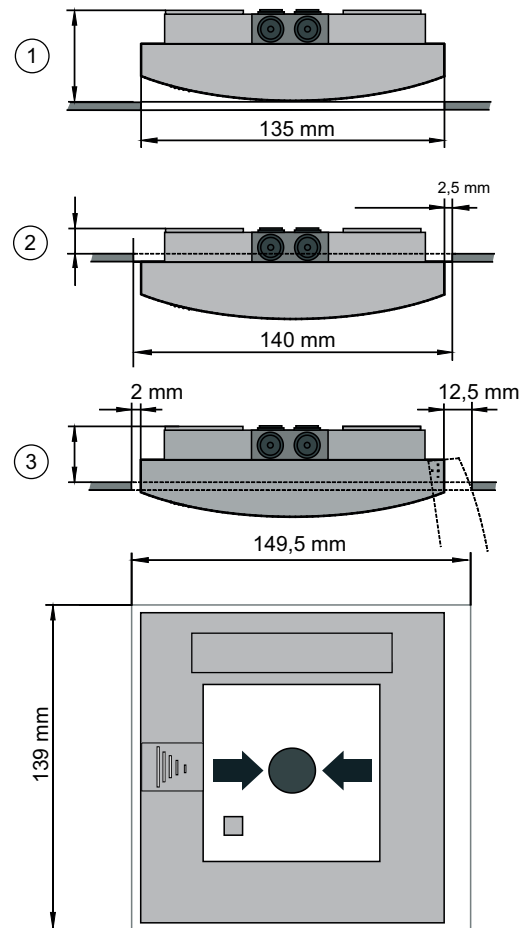
- The distance between manual call points should not be more than 100 m according to DIN 14675 or 80 m according to VdS.
- In high risk areas, manual call points should be installed at a distance of max. 40 m (VDE 0833 Part 2, Point 7.2.6).

### Installation

- The cable duct can be surface-mounted or flush-mounted.



- Installation in fire hose cabinets is possible in three ways:



Pos.	Description
1	Installation depth version 1: ca. 40 mm
2	Installation depth version 2: 14 mm
3	Installation depth version 3: min. 30 mm

### Technical specifications

#### Electrical

Operating voltage	15 V DC . . . 33 V DC
Current consumption	0.4 mA

#### Mechanics

Dimensions (H x W x D)	135 x 135 x 40 mm
Housing material	Plastic, ASA
Colors	
• FMC-210-SM-G-R	Red, RAL 3001
• FMC-210-SM-G-B	Blue, RAL 5005
Weight	Approx. 235 g

### Environmental Considerations

Protection class as per EN 60529	IP 52
Permissible operating temperature	-10 °C... +55 °

### Ordering information

**FMC-210-SM-G-R Manual call point, single action, red**  
analog addressable manual call point with glass pane  
for indoor use, direct alarm triggering (type A), red  
Order number **FMC-210-SM-G-R**

**FMC-210-SM-G-B Manual call point, single action, blue**  
analog addressable manual call point with glass pane  
for indoor use, direct alarm triggering (type A), blue  
Order number **FMC-210-SM-G-B**

### Accessories

**FMX-FSO-LSN FMX-FSO-LSN foilset operating panel  
MCP**

For the labeling field of manual call points of the series  
FMC-210, 1 unit = 10 sheets  
Order number **FMX-FSO-LSN**

**FMC-FST-DE Foil set, transparent**

For yellow and blue manual call points of the series  
FMC-120 and FMC-210, 1 unit = 5 sheets  
Order number **FMC-FST-DE**

**FMC-SPGL-DEIL Spare glass**

For manual call points of series DM, DKM, SKM,  
FMC-120 and FMC-210, 1 unit = 5 spare glasses  
Order number **FMC-SPGL-DEIL**

**FMM-KEY-FORM G/H Key for manual call point**

made of red plastic (ASA)  
Order number **FMM-KEY-Form G/H**

#### Represented by:

**Europe, Middle East, Africa:**  
Bosch Security Systems B.V.  
P.O. Box 80002  
5600 JB Eindhoven, The Netherlands  
Phone: + 31 40 2577 284  
emea.securitysystems@bosch.com  
emea.boschsecurity.com

**Germany:**  
Bosch Sicherheitssysteme GmbH  
Robert-Bosch-Ring 5  
85630 Grasbrunn  
Germany  
www.boschsecurity.com

**North America:**  
Bosch Security Systems, Inc.  
130 Perinton Parkway  
Fairport, New York, 14450, USA  
Phone: +1 800 289 0096  
Fax: +1 585 223 9180  
onlinehelp@us.bosch.com  
www.boschsecurity.us

**Asia-Pacific:**  
Robert Bosch (SEA) Pte Ltd, Security Systems  
11 Bishan Street 21  
Singapore 573943  
Phone: +65 6571 2808  
Fax: +65 6571 2699  
apr.securitysystems@bosch.com  
www.boschsecurity.asia