

GLT - Non-Automatic Fire Detector Series 120

FMC-120-DKM-G-R / FMC-120-DKM-H-R

FMC-120-DKM-G-B / FMC-120-DKM-H-B /
FMC-120-DKM-G-Y

FMC-120-EST-G-B



Table of contents

1.	Product description	3
2.	Features	3
3.	Planning notes	4
3.1.	Maximum number of detectors that may be connected	4
3.2.	Norms, guidelines and planning recommendations	4
3.3.	Labelling variants	5
4.	Order contents	6
4.1.	Basic model	6
4.2.	Labelling foils	6
4.3.	Accessories / Spare parts	6
5.	Device structure	7
6.	Functional description	8
6.1.	Manual call point	8
6.2.	Functional test	8
6.3.	Test detector	8
7.	Installation	9
7.1.	Installation dimensions (view: housing rear wall interior)	9
7.2.	Cable duct	9
7.3.	Installation variants for fire hose cabinets	10
7.4.	Connection	11
8.	Notes on maintenance and service	12
8.1.	Repair	12
8.2.	Disposal	12
8.3.	Additional documentation	12
9.	Technical specifications	13
10.	Table of abbreviations	14
11.	Notes	15

1. Product description

The series 120 non-automatic fire detector is used for manual alarm triggering in conventional line technology (GLT). The line is monitored according to the principle of voltage reduction and increase.

The Form H detectors are designed for exterior areas, the Form G detectors for interior areas.

Overview of non-automatic fire detectors, series 120

Manual call points

- FMC-120-DKM-G-R Manual call point for interior areas (Form G), red
- FMC-120-DKM-H-R Manual call point for exterior areas (Form H), red

Manual call points

- FMC-120-DKM-G-B Manual call point for interior areas (Form G), blue
- FMC-120-DKM-H-B Manual call point for exterior areas (Form H), blue
- FMC-120-DKM-G-Y Manual call point for interior areas (Form G), yellow

Stop device

- FMC-120-EST-G-B Stop device for interior areas (Form G), blue

2. Features

- Manual call point and stop device: Trigger alarm by pushing the button. After alarm triggering, the push button is adjusted.
- Detector query routines with evaluation and multiple transmission.
- Display (LED) for triggered alarms or inspection evaluation.
- Second contact with connections for panel control.
- Same design for interior use (Form G) and exterior use (Form H).
- Available in different colour variants; see order overview.
- For the red colour variants, a “burning house” is applied to the detector housing in the factory.
- Variable labelling is possible with foil sets for the blue and yellow colour variants.
- For exterior use in extreme environmental conditions, the detector is equipped with an especially resistant PC board (parylene layering) and with a seal in the detector door.

3. Planning notes

- Non-automatic fire detectors must be mounted visibly along escape and rescue routes (e.g. exits, passageways, stairwells) and be easily accessible.
- An installation height of 1400 mm (± 200 mm), measured from the middle of the push button to the floor, must be maintained.
- Non-automatic fire detectors must be sufficiently lit with sunlight or another light source (including emergency lighting if present).
- The distance between non-automatic fire detectors should not exceed 100 m according to DIN 14 675 or 80 m according to VdS.
- In high risk areas, non-automatic fire detectors should be installed at intervals of max. 40 m (VDE 0833 Part 2, Point 7.2.6).

3.1. Maximum number of detectors that may be connected

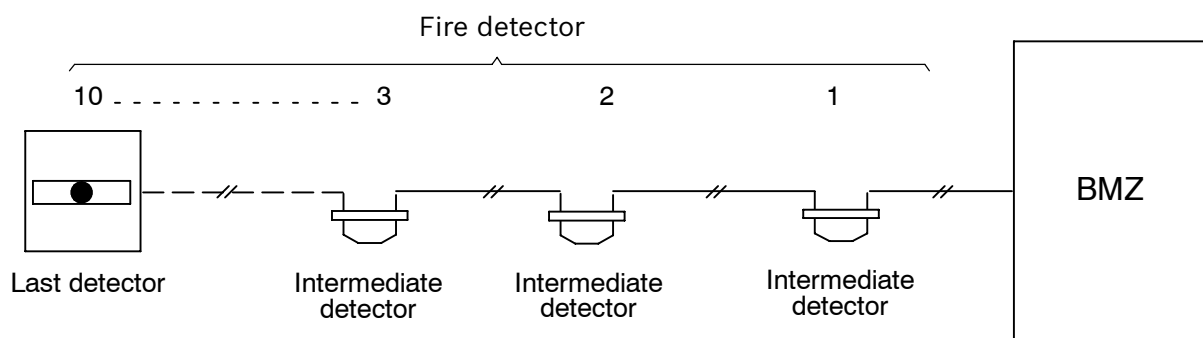
In accordance with VdS guidelines, a maximum of 10 non-automatic fire detectors may be connected to a primary line.

The test detector can be used for primary lines with automatic fire detectors. It is connected to the electrical end of the primary line (max. 1 test detector per primary line).

3.2. Norms, guidelines and planning recommendations

Additional norms, guidelines, and planning recommendations with respect to installation location etc. must be taken into account (see fire detector manual).

The regulations of the local fire services must be observed.



3.3. Labelling variants

The detectors can be individually adapted to the location/application with optional labelling variants. This excludes detector variants FMC-120-DKM-G-R and FMC-120-DKM-H-R, to which the “burning house” symbol has already been applied.

The self-adhesive labelling foils are stuck on the front panel of the detector.

4. Order contents

4.1. Basic model

Product ID	DU*	Designation
F01U011951	Pc	FMC-120-DKM-G-R, Manual call point for interior areas (Form G), red
F01U011952	Pc	FMC-120-DKM-H-R, Manual call point for exterior areas (Form H), red
F01U011953	Pc	FMC-120-DKM-G-B, Manual call point for interior areas (Form G), blue
F01U011954	Pc	FMC-120-DKM-H-B, Manual call point for exterior areas (Form H), blue
F01U011955	Pc	FMC-120-DKM-G-Y, Manual call point for interior areas (Form G), yellow
F01U012763	Pc	FMC-120-EST-G-B, Stop device for interior areas (Form G), blue

4.2. Labelling foils

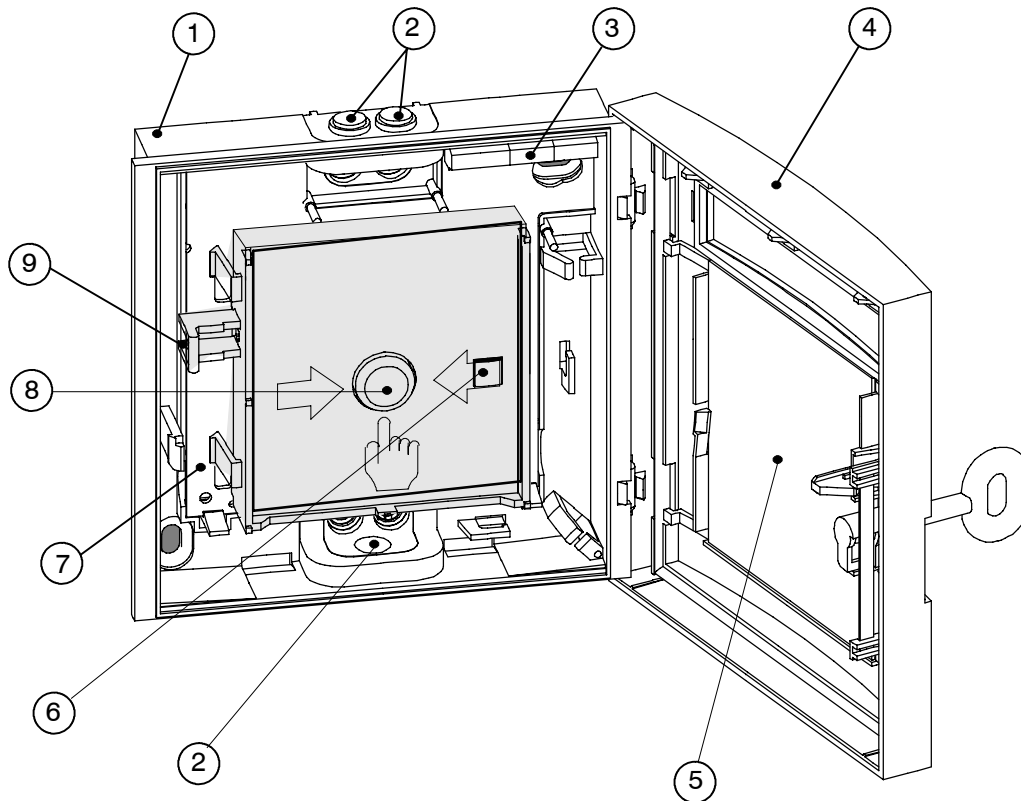
Product ID	DU*	Designation
F.01U.012.951	PAK	FMC-FST-DE, Pre-cut and labelled foil sets for the top labelling field (1 PACK = 5 sheets with 12 labelling variants)
F.01U.033.170	PAK	FMX-FSO-GLT, Pre-cut foil sets for the top labelling field (1 PAK = 10 sheets with 6 labelling variants). Appropriate for printing at standard laser printers. The required print file is available on the WinPara disk.

4.3. Accessories / Spare parts

Product ID	DU*	Designation
3.790.170.005	Pc	“Out of order” - Metal stop sign
3.756.630.007	Pc	Red plastic key (ASA) for detector door
F.01U.025.845	PAK	FMC-SPGL-DEIL, Replacement glass pane, dimensions 80 x 80 x 0.9 mm (1 PACK = 5 pieces)

5. Device structure

The non-automatic fire detector is available in several variants and essentially consists of the following elements.



Pos.	Designation
1	Plastic housing
2	Cable ducts (interchangeable), for cable inlet and outlet. The cable can also be ducted through openings in the rear wall of the housing.
3	Connection terminal strip
4	Detector door with replaceable glass pane, hidden lock (and seal, for Form H)
5	Glass pane
6	Display (LED)
7	PC board (with protective coating for Form H) The PC board is clipped onto the floor of the housing.
8	Trigger mechanism (clipped onto the PC board), consisting of plastic frame and push button with spring.
9	Reset lever (locking mechanism only for manual call points)

6. Functional description

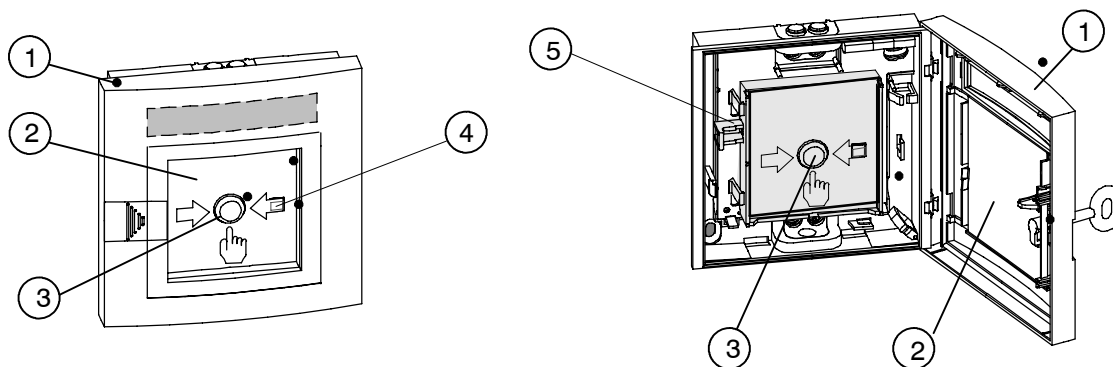
6.1. Manual call point

Manual call point and stop device: In the event of an alarm, the glass pane (2) is broken first, then the manual call point (3) is pressed hard.

This activates the microswitch for alarm triggering and the display LED (4) flashes.

A locking mechanism holds the pressed push button down.

The pressed push button is reset by manually activating the reset lever (5) or by opening the detector door (1) ⇒ The alarm is reset and the display LED goes out (4).

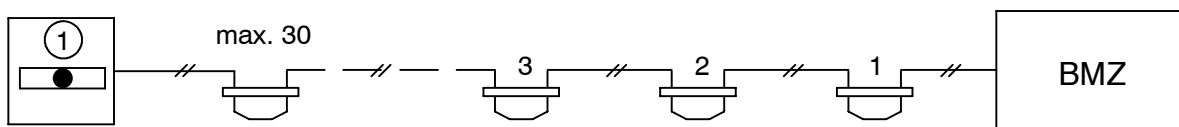


6.2. Functional test

Manual call point and stop device: To trigger the alarm, press the manual call point (3) hard. The display LED (4) flashes. Use the reset lever (5) to return the manual call point to the starting status.

6.3. Test detector

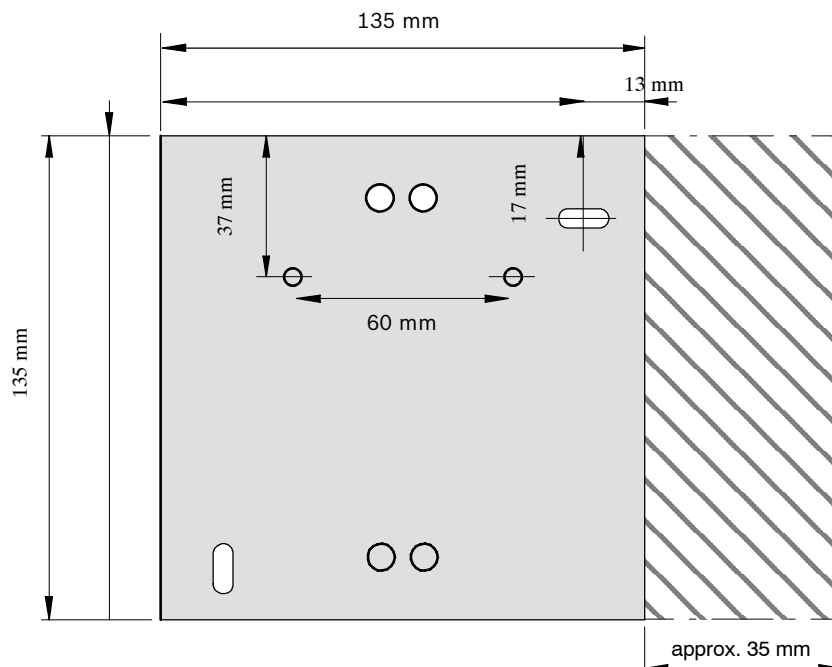
A maximum of 1 test detector (1) may be connected to the electrical end of the primary line. Up to 30 automatic fire detectors may be connected to the primary line to be tested. The test detector is supplied by the fire panel.



7. Installation

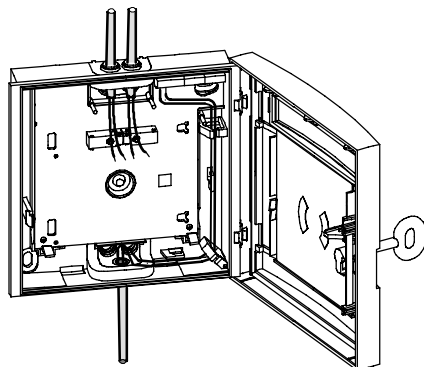
- The non-automatic fire detector is designed for wall mounting.
- The installation height, according to VdS regulations, is 1400 mm (± 200 mm) from the floor to the centre of the push button.
- The connection cables can be surface or flush-mounted.
The cable ducting should be carried out using the intended openings in the housing (see 7.2 Cable duct).
- The installation location is to be selected so that approximately 35 mm space remains free on the right-hand side for opening the door.

7.1. Installation dimensions (view: housing rear wall interior)

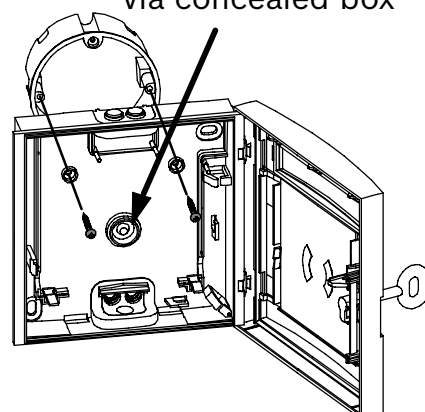


7.2. Cable duct

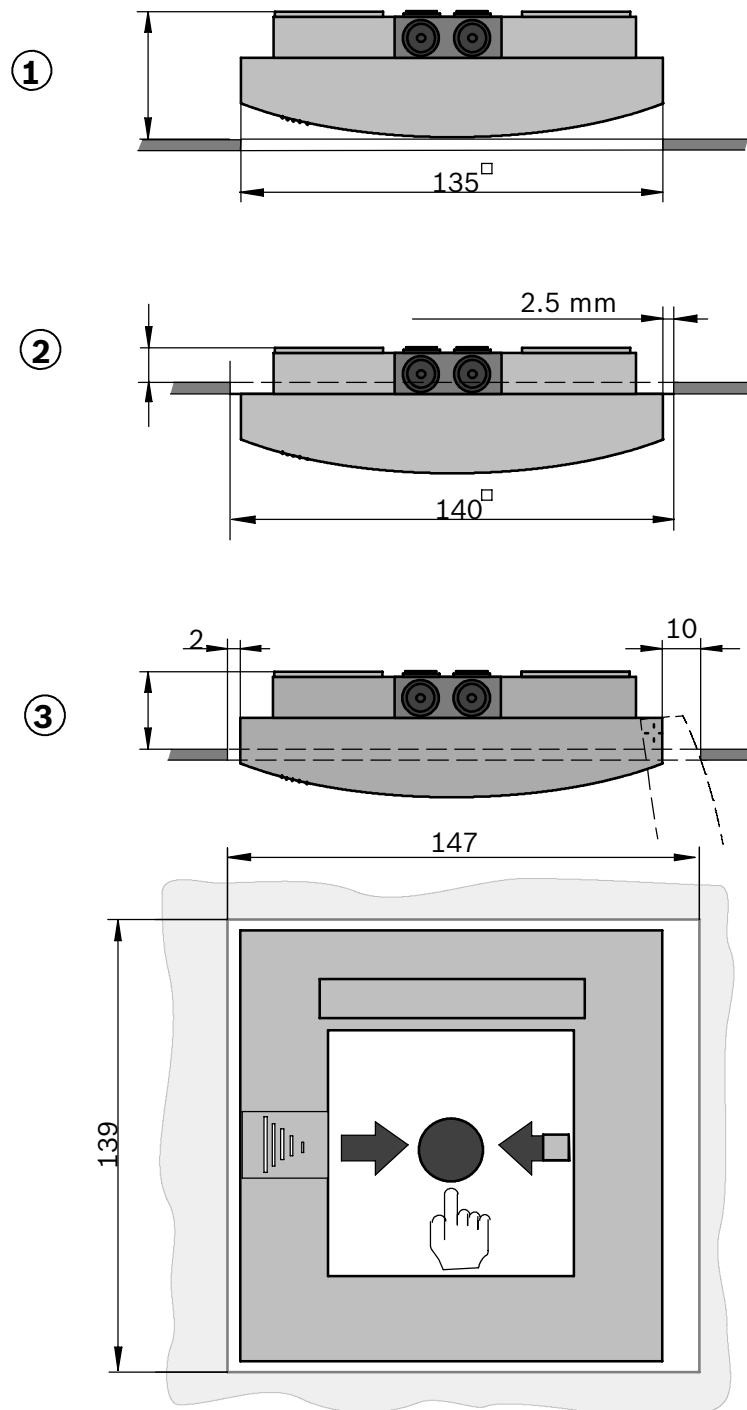
Surface-mounted cable duct



Flush-mounted cable duct via concealed box



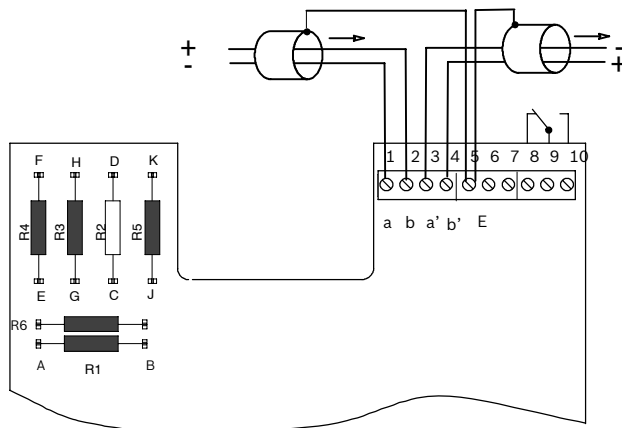
7.3. Installation variants for fire hose cabinets



Pos.	Description
1	Installation depth version 1: min. 36 mm
2	Installation depth version 2: 14 mm
3	Installation depth version 3: approx. 30 mm With this version, it is not necessary to open the door of the hose box e.g. for maintenance.

7.4. Connection


Detailed wiring diagrams and bridge assignments for connection to different fire panels are shown in the wiring diagram manual.



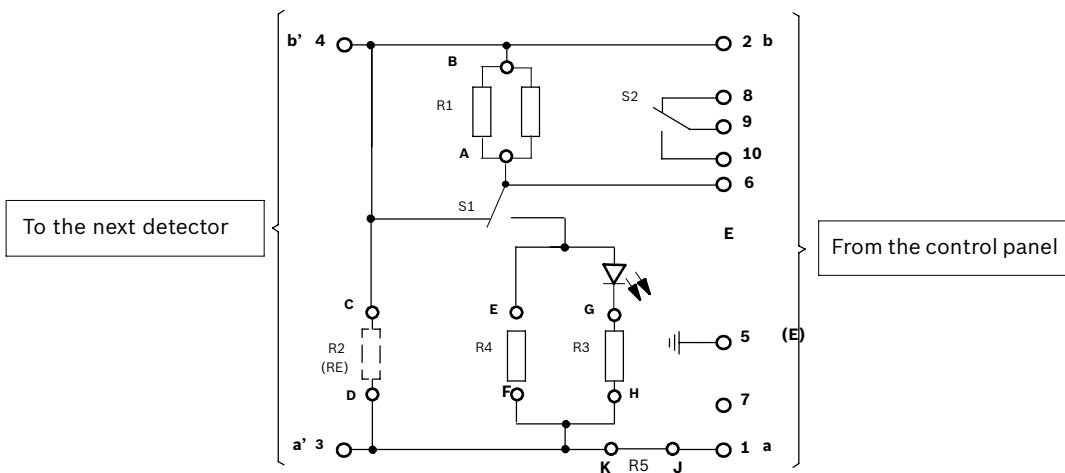
R1 (A/B) = 820 Ω R3 (G/H) = 0 Ω
 R4 (E/F) = 150 Ω R5 (J/K) = 0 Ω

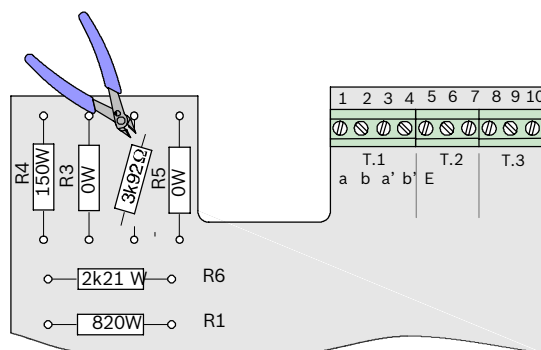
R6 (A/B) = 2k21

Endmelder / Last detector / Laatste melder:
 R2 (C/D) = $R_E = 3k92$



In order to reach an alarm resistance of 820 Ohm in current gain operation, resistor R6 must be removed. For other operating modes (voltage reduction), see the wiring diagram manual for the corresponding fire panel.





Do not remove the end of line resistor from the last detector!
It must be removed from all other detectors.

8. Notes on maintenance and service

For maintenance and inspection work on security systems, the regulations of DIN VDE 0833 apply in Germany; these regulations refer to the maintenance intervals as per the manufacturer's instructions.

- Bosch ST recommends a functional and visual inspection at least once a year.
- Maintenance and inspection work should be carried out regularly and by trained personnel.

8.1. Repair

In the event of a defect, the entire unit is exchanged.

8.2. Disposal

Unusable units should be disposed of in accordance with regulations.

8.3. Additional documentation



For those with the appropriate access authorisation,
see Bosch ST ExtraNet at

www.boschbest.de

for the updated product information and the installation manual as a downloadable PDF file.

9. Technical specifications

Technical specifications	
Operating voltage	24 V DC (16.2 V DC to 30 V DC)
Current consumption	specified by the respective security system
Protection category as per EN 60529 - Form H (exterior) - Form G (interior)	IP 54 IP 52
Permissible ambient temperature - Form H (exterior) - Form G (interior)	-25°C to +70°C / -13°F to 158°F -10°C to +55°C / 14°F to 131°F
Standard (except FMC-120-DKM-G-Y)	EN 54-11
Standard for FMC-120-DKM-G-Y	EN 12094-3
Colours	RAL 5005 signal blue RAL 1003 signal yellow RAL 3001 signal red
Housing material	Plastic, ASA (Acrylonitrile-Styrene-Acrylate Terpolymer)
Dimensions (W x H x D)	135 x 135 x 37 mm / 5.31 x 5.31 x 1.38 inches
Weight	224 g

10. Table of abbreviations

AHB	=	Wiring diagram manual
BMZ	=	Fire panel
BM	=	Fire detector
DIN	=	German Institute for Standardisation
DKM	=	Manual call point
EMZ	=	Intrusion control panel
EN	=	European standard
GMZ	=	Danger detection system
KI	=	Customer service information
LED	=	Light Emitting Diode
LSN	=	Local Security Network
SM	=	Single action call point
UGM	=	Universal danger detection system
VDE	=	Association of German Electrical Engineers
VdS	=	VdS Schadenverhütung GmbH



Bosch Sicherheitssysteme GmbH
Robert-Koch-Straße 100
D-85521 Ottobrunn, Germany

www.bosch-sicherheitssysteme.de
info.service@de.bosch.com