

LBC 3470/00 Horn Loudspeaker

www.boschsecurity.com



BOSCH
Invented for life



- ▶ High-efficiency driver
- ▶ Excellent speech reproduction
- ▶ Versatile mounting bracket
- ▶ Water-and dust protected to IP 65
- ▶ Complies with international installation and safety regulations

The LBC 3470/00 is a 15 W high-efficiency circular horn loudspeaker, provide excellent speech reproduction and sound distribution for a wide scope of indoor and outdoor applications. It is ideal for sports grounds, parks, exhibition areas, factories and swimming pools.

The horn is made from ABS and finished in light gray (RAL 7035).

Certifications and approvals

All Bosch loudspeakers are designed to withstand operating at their rated power for 100 hours in accordance with IEC 268-5 Power Handling Capacity (PHC) standards. Bosch has also developed the Simulated Acoustical Feedback Exposure (SAFE) test to demonstrate that the speakers can withstand two times their rated power for short durations. This ensures extra reliability under extreme conditions, leading to greater customer satisfaction, longer operating life, and much less chance of failure or performance deterioration.

Safety	Acc. to EN 60065
Self-extinguishing	Acc. to UL94V0
Water and dust protection	Acc. to IEC 60529, IP 65

Region	Certification
Europe	CE
Global	IP Rating

Installation/configuration notes

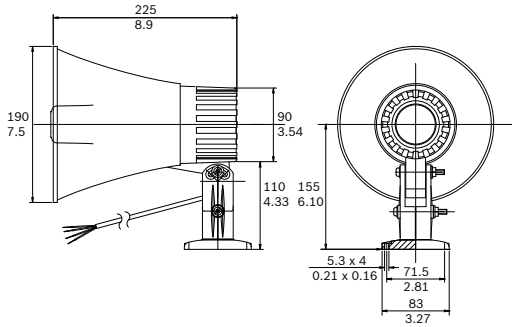
Mounting

The horn loudspeaker is standard supplied with a sturdy adjustable mounting bracket, allowing the sound beam to be accurately directed.

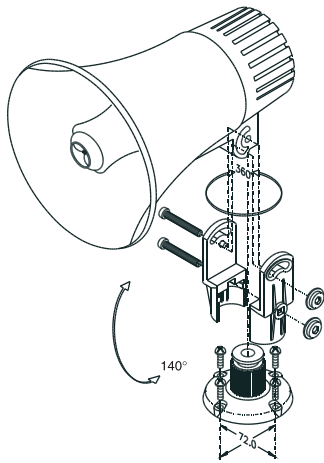
Simple power setting

The horn loudspeaker includes a 100 V transformer with taps on the primary winding to allow different power settings. Nominal full-power, half-power or quarter-power radiation (i.e. in 3 dB steps) can easily be selected by connection the amplifier output to the appropriate tap. A 500 mm (19.68 in) long four-core

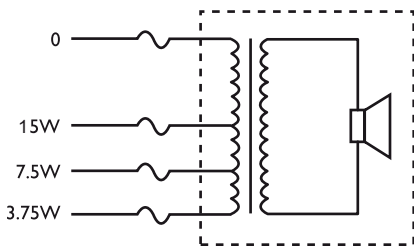
cable is fitted to the horn. Each core has a different color, which is connected to the one of the primary taps on the transformer.



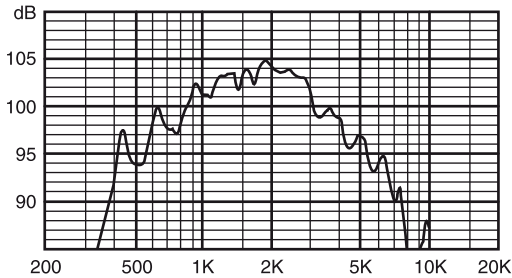
Dimensions in mm (in)



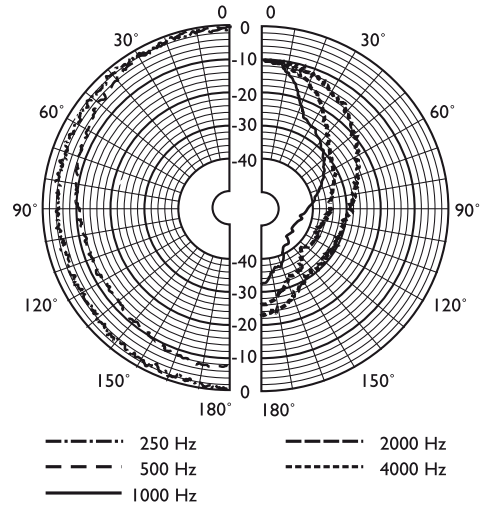
Installation



Circuit diagram



Frequency response



Polar diagram (measured with pink noise)

Parts included

1	LBC 3470/00 Horn Loudspeaker
---	------------------------------

Technical specifications

Electrical*

Maximum power	22.5 W
Rated power (PHC)	15 W
Power tapping	15 / 7.5 / 3.75 W
Sound pressure level at 15 W / 1 W (1 kHz, 1 m)	115 / 103 dB (SPL)
Effective frequency range (- 10 dB)	500 Hz to 5 kHz
Opening angle at 1 kHz / 4 kHz (-6 dB)	
Horizontal	130°
Vertical	50°
Rated input voltage	100 V
Rated impedance	667 Ohm
Connection	4-wire cable. Length: 500 mm (19.68 in)

* Technical performance data acc. to IEC 60268-5

Mechanical

Dimensions (W x D)	(213 x 186) x 310 mm (8.39 x 7.32) x 12.2 in)
Weight	1.5 kg (3.30 lb)
Color	Light gray (RAL 7035)
Material (horn / rear cover)	ABS

Environmental

Operating temperature	-25 °C to +55 °C (-13 °F to +131 °F)
Storage temperature	-40 °C to +70 °C (-40 °F to +158 °F)
Relative humidity	<95%

Ordering information

LBC 3470/00 Horn Loudspeaker

Horn loudspeaker 15 W, circular, ABS material, water and dust protected according IP65, fixed 0.5 m, 4-wire connection cable, light gray RAL 7035.

Order number **LBC3470/00**

Represented by:

Americas:

Bosch Security Systems, Inc.
12000 Portland Avenue South
Burnsville MN 55337, USA
Phone: +1-800-392-3497
Fax: +1-800-955-6831
audiosupport@us.bosch.com
www.boschsecurity.com

Europe, Middle East, Africa:

Bosch Security Systems B.V.
P.O. Box 80002
5617 BA Eindhoven, The Netherlands
Phone: + 31 40 2577 284
Fax: +31 40 2577 330
emea.securitysystems@bosch.com
www.boschsecurity.com

Asia-Pacific:

Robert Bosch (SEA) Pte Ltd, Security Systems
11 Bishan Street 21
Singapore 573943
Phone: +65 6571 2808
Fax: +65 6571 2699
apr.securitysystems@bosch.com
www.boschsecurity.asia

China:

Bosch (Shanghai) Security Systems Ltd.
201 Building, No. 333 Fuquan Road
North IBP
Changning District, Shanghai
200335 China
Phone +86 21 22181111
Fax: +86 21 22182398
www.boschsecurity.com.cn

America Latina:

Robert Bosch Ltda Security Systems Division
Via Anhanguera, Km 98
CEP 13065-900
Campinas, Sao Paulo, Brazil
Phone: +55 19 2103 2860
Fax: +55 19 2103 2862
latam.boschsecurity@bosch.com
www.boschsecurity.com