

# MIC Series 400 Camera

www.boschsecurity.com



**BOSCH**  
Invented for life



- ▶ Rated to an industry leading IP68
- ▶ Brushless motor technology
- ▶ Host of mounting and viewing options
- ▶ Integrated wiper and heater
- ▶ Multi-protocol operation

The MIC Series 400 camera has been designed to offer an extremely reliable, robust, and high quality surveillance solution for security applications that demand the very best performance. Precision engineered to exacting standards, the range offers numerous benefits over the use of traditional dome and PTZ cameras, and comes with a variety of options in order to offer a best-fit solution for virtually any application.

Rated to an industry leading IP68, the compact, vandal-resistant machined aluminum camera housing is suitable for installation in the harshest of environments. Machined from solid aluminum, the MIC Series 400 cameras ensure corrosion protection by using two different processes; first an Alodine® 5200™ coating, then a robust powder paint coating. Alodine 5200 is a chromium-free product and specifically formulated for treating non-ferrous alloys. Sealed with 'O'-rings, the MIC Series 400 camera can operate submerged up to 1 meter (3.3 feet) underwater by virtue of its design and construction. The optically-perfectly flat viewing window and integrated long-life silicone wiper ensure razor-sharp images are captured in even the most demanding conditions.

The brushless motor technology offers ultra-reliable, whisper-quiet operation with full 360° continuous rotation pan and 270° tilt control for exceptional viewing capability. Small increment pan/tilt speeds from just 0.2° per second to 90° per second give the user precise control. This speed control is especially important when used with video analytic systems, particularly for tracking subjects when fully zoomed in. A choice of true day/night camera modules offering up to 36x optical zoom (12x digital) are available, providing 470 TVL NTSC/PAL typical (18x module) or 530 TVL NTSC/PAL typical (36x module). When coupled with upright 45-degree canted or inverted mounting capability, the MIC Series 400 camera allows the perfect field of view to be achieved every time.

## Functions

### **Rated to an industry leading IP68**

Subjected and certified to rigorous IP68 dust and immersion tests, the MIC Series 400 aluminum camera is perfectly suited for installation in even the most unforgiving environments.

### **Brushless motor technology**

Ultra-reliable brushless motors provide whisper quiet operation and smooth control.

**Host of mounting and viewing options**

Faultless operation, either upright or inverted, gives the user a host of mounting and viewing possibilities. A canted option is provided for upright pole-mounted applications, allowing the base of the pole to be viewed.

**Integrated wiper and heater**

Hot or cold, rain or shine, regardless of the weather, the MIC Series 400 camera is able to capture the highest possible quality image all year round thanks to its integrated long-life silicone wiper and heater.

**Multi-protocol operation**

Compatible with virtually any control equipment available today, the MIC Series 400 camera will seamlessly integrate within the vast majority of security systems.

**Applications:**

- General CCTV
- Town centers
- Extreme environments
- Rapid deployment
- High security
- Prestigious developments
- Broadcast
- Architectural

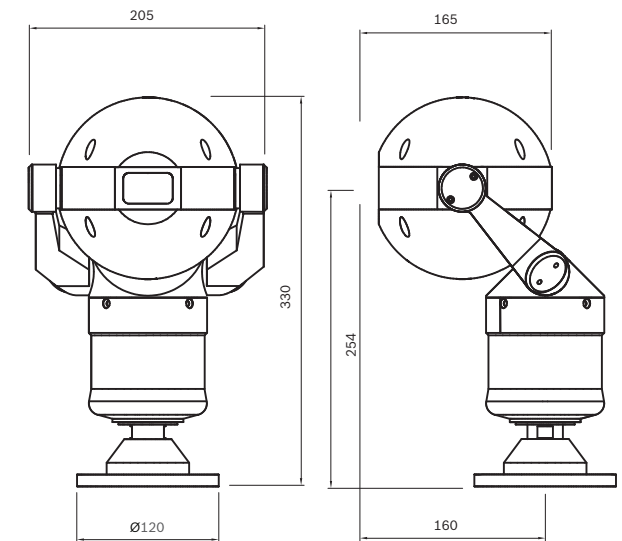
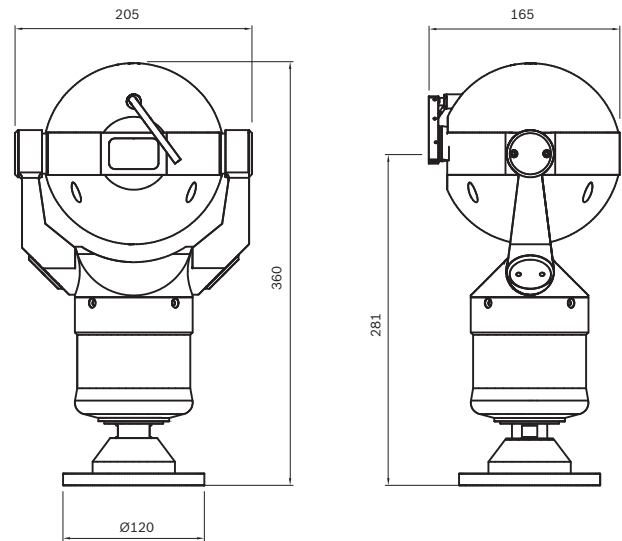
**Certifications and approvals**

Electromagnetic Compatibility (EMC)	Complies with FCC part 15, ICES-003, and CE regulations including EN50130-4, EN61000-3-2:2006, EN61000-3-3:1995, and EN55022:2006 inc AL:2007
Safety	Complies with CE regulations, UL, EN, and IEC standards 60950-1 & 22
Weatherproofing	IP68 (1m submersion for 24 hrs)

Region	Certification	
Europe	CE	AC08-10-Q012 EMC Directive, Low Voltage Directive
Global	IP Rating	
USA	UL	AC08-10-Q013 UL 60950-1 2nd Edition: 2007
	FCC	AC08-10-Q013 CFR 47 FCC part 15:2009, Class B
Canada	CSA	AC08-10-Q012 CAN/CSA-C22.2 No. 60950-1-07

**Installation/configuration notes**

**Dimensions**



**Technical specifications**

**Camera Module**

Image sensor	1/4 in EXview CCD (WDR 36x only)
Horizontal resolution	18x module, 470 TVL NTSC/PAL typical; 36x module, 530 TVL NTSC/PAL typical
Filter	Automatic mechanical IR cut filter
Focus system	Auto or manual
Iris	Auto or manual with slow shutter integration modes
Synchronization	Internal / External (V-Lock)

Signal/Noise ratio	50 dB or more
Back Light Compensation (BLC)	On/Off
White balance	Automatic
Automatic Gain Control (AGC)	-3 to 28 dB, 2 dB steps
Aperture control	16 Steps

### 18x Optical Zoom Module

Lens	F=4.1 mm (wide) to 73.8 mm (tele), F1.4 to F3.0
Zoom	18x optical (12x digital)
Angle of view	48° (wide) to 2.8° (tele)
Minimum illumination	0.7 lux (F1.4, 1/60s NTSC, 1/50s PAL) 0.11 lux (F1.4, 1/4s NTSC, 1/3s PAL) 0.01 lux (F1.4, 1/4s NTSC, 1/3s PAL ICR on)
Shutter speed	1/1 to 1/10,000 s (22 steps) NTSC, PAL

### 36x Optical Zoom Module

Lens	F=3.4 mm (wide) to 122.4 mm (tele), F1.6 to F4.5
Zoom	36x optical (12x digital)
Angle of view	57.8° (wide) to 1.7° (tele)
Minimum illumination	1.4 lux (1/60 s NTSC, 1/50 s PAL, typical, F1.6, 50IRE); 0.1 lux (1/4 s NTSC, 1/3 s PAL, typical, F1.6, 50IRE) ICR-ON mode: 0.01 lux (1/4 s NTSC, 1/3 s PAL)
Shutter speed	1/4 to 1/10,000 s (20 steps) NTSC, 1/3 to 1/10,000 s (20 steps) PAL

### Operational

Auto flip	Yes
Manual flip	Yes
Dynamic privacy zones	3D privacy masking with infinite zones, (some models, see ordering guide)
Presets	64 telemetry presets utilizing resolver technology (using FV protocol, 10 camera set-up presets to allow ANPR, color correction etc.)
Preset tours	6 tours each with up to 32 presets
Sector titles	Yes (64 sectors) 20 characters per title
Preset titles	20 character caption for each of the 64 presets
Home position	Yes (preset 1 or tour)

### Communication and Protocols

Communication	RS485 / RS422
Control protocol	Bosch or FV protocol cameras available, additional supported protocols are Pelco D, Kalatel, 360 Vision, American Dynamics, Panasonic, Molyntx, VCL, and Vicon. These can be loaded using the MIC-USB485CVTR signal converter and Cam-set via a PC. Biphase control requires a Biphase to RS485 converter (MIC-BP4, available separately) to connect to Bi-phase equipment.

### Connectivity

Video	Co-axial via composite cable
Telemetry control card	Built-in
Telemetry	Twisted pair. Simplex, half and full duplex operation via composite cable
MIC Universal Camera Setup Software Utility (Cam-set)	Supplied with each camera, Cam-set allows direct connection to a USB equipped PC via the MIC Series PSU or over a full duplex or IP network to provide access to all camera functions and useful diagnostic tools.
USB to RS485 signal converter	Allows MIC Series cameras to connect to a PC (supplied free with MIC Series 400 camera or available separately).
Power	Via composite cable

### Alarms

Alarm inputs	1 tamper input (additional inputs possible with optional alarm card in PSU)
Alarm communication	Tamper switch (ground connection)

### Mechanical

Drive unit	Brushless, integral pan/tilt motor drive
Pan angle	360° continuous rotation
Pan speed	6° to 90° per second (variable)
Tilt angle	270°
Tilt speed	0.2° to 90° per second (variable)
Speed control	Closed loop electronics
Preset accuracy	±0.56° (typical)
Proportional Pan/Tilt to Zoom	Yes

### Construction

Construction material	Machined aluminum
Viewing window	Tempered flat glass
Window wiper	Standard, long-life silicone wiper
Heater	Standard

Standard colors	Black( RAL9005), Gray (RAL7001) or White (RAL9003)
Standard finish	Alodine 5200 surface treatment with powder coat paint
Dimensions (WxHxD)	205 x 360 x 165 mm (8.07 x 14.17 x 6.50 in.) (upright and inverted)
Weight	5.5 kg (12 lb) including 4-in. pitch circle diameter (PCD) base
Configurations available	Upright mount or upright canted at 45° mount. (Inverted mount is possible using software setting and upright camera.)

### Environmental

Operational temperature	-40 °C to +50 °C (-40 °F to +122 °F)
Weather proofing	IP68
MTBF	73,817 hours

### Electrical

Input voltage	18 VAC nominal
Power consumption	14 W max. with heater off 24 W max. with heater on

### Ordering information

#### **MIC400ALBCW13518P 18X PAL Camera, Canted, with Privacy & FV Protocol, Black**

Aluminum 18X, PAL, PTZ camera, Black, Canted, FV Protocol with integrated wiper, heater and privacy function.

Order number **MIC400ALBCW13518P**

#### **MIC400ALBCW13536P 36X PAL Camera, Canted, with Privacy & FV Protocol, Black**

Aluminum 36X, PAL, PTZ camera, Black, Canted, FV Protocol with integrated wiper, heater and privacy function.

Order number **MIC400ALBCW13536P**

#### **MIC400ALBCW13618P 18X PAL Camera, Canted, with FV Protocol, Black**

Aluminum 18X, PAL, PTZ camera, Black, Canted, FV Protocol with integrated wiper and heater.

Order number **MIC400ALBCW13618P**

#### **MIC400ALBCW13636P 36X PAL Camera, Canted, with FV Protocol, Black**

Aluminum 36X, PAL, PTZ camera, Black, Canted, FV Protocol with integrated wiper and heater.

Order number **MIC400ALBCW13636P**

#### **MIC400ALBUW13518P 18X PAL Camera, Upright, with Privacy & FV Protocol, Black**

Aluminum 18X, PAL, PTZ camera, Black, Upright, FV Protocol with integrated wiper, heater and privacy function.

Order number **MIC400ALBUW13518P**

#### **MIC400ALBUW13536P 36X PAL Camera, Upright, with Privacy & FV Protocol, Black**

Aluminum 36X, PAL, PTZ camera, Black, Upright, FV Protocol with integrated wiper, heater and privacy function.

Order number **MIC400ALBUW13536P**

#### **MIC400ALBUW13618P 18X PAL Camera, Upright, with FV Protocol, Black**

Aluminum 18X, PAL, PTZ camera, Black, Upright, FV Protocol with integrated wiper and heater.

Order number **MIC400ALBUW13618P**

#### **MIC400ALBUW13636P 36X PAL Camera, Upright, with FV Protocol, Black**

Aluminum 36X, PAL, PTZ camera, Black, Upright, FV Protocol with integrated wiper and heater.

Order number **MIC400ALBUW13636P**

#### **MIC400ALGCW13518P 18X PAL Camera, Canted, with Privacy & FV Protocol, Grey**

Aluminum 18X, PAL, PTZ camera, Grey, Canted, FV Protocol with integrated wiper, heater and privacy function.

Order number **MIC400ALGCW13518P**

#### **MIC400ALGCW13536P 36X PAL Camera, Canted, with Privacy & FV Protocol, Grey**

Aluminum 36X, PAL, PTZ camera, Grey, Canted, FV Protocol with integrated wiper, heater and privacy function.

Order number **MIC400ALGCW13536P**

#### **MIC400ALGCW13618P 18X PAL Camera, Canted, with FV Protocol, Grey**

Aluminum 18X, PAL, PTZ camera, Grey, Canted, FV Protocol with integrated wiper and heater.

Order number **MIC400ALGCW13618P**

#### **MIC400ALGCW13636P 36X PAL Camera, Canted, with FV Protocol, Grey**

Aluminum 36X, PAL, PTZ camera, Grey, Canted, FV Protocol with integrated wiper and heater.

Order number **MIC400ALGCW13636P**

#### **MIC400ALGUW13518P 18X PAL Camera, Upright, with Privacy & FV Protocol, Grey**

Aluminum 18X, PAL, PTZ camera, Grey, Upright, FV Protocol with integrated wiper, heater and privacy function.

Order number **MIC400ALGUW13518P**

**MIC400ALGUW13536P 36X PAL Camera, Upright, with Privacy & FV Protocol, Grey**

Aluminum 36X, PAL, PTZ camera, Grey, Upright, FV Protocol with integrated wiper, heater and privacy function.

Order number **MIC400ALGUW13536P**

**MIC400ALGUW13618P 18X PAL Camera, Upright, with FV Protocol, Grey**

Aluminum 18X, PAL, PTZ camera, Grey, Upright, FV Protocol with integrated wiper and heater.

Order number **MIC400ALGUW13618P**

**MIC400ALGUW13636P 36X PAL Camera, Upright, with FV Protocol, Grey**

Aluminum 36X, PAL, PTZ camera, Grey, Upright, FV Protocol with integrated wiper and heater.

Order number **MIC400ALGUW13636P**

**MIC400ALWCW13518P 18X PAL Camera, Canted, with Privacy & FV Protocol, White**

Aluminum 18X, PAL, PTZ camera, White, Canted, FV Protocol with integrated wiper, heater and privacy function.

Order number **MIC400ALWCW13518P**

**MIC400ALWCW13536P 36X PAL Camera, Canted, with Privacy & FV Protocol, White**

Aluminum 36X PAL, PTZ camera, White, Canted, FV Protocol with integrated wiper, heater and privacy function.

Order number **MIC400ALWCW13536P**

**MIC400ALWCW13618P 18X PAL Camera, Canted, with FV Protocol, White**

Aluminum 18X PAL, PTZ camera, White, Canted, FV Protocol with integrated wiper and heater.

Order number **MIC400ALWCW13618P**

**MIC400ALWCW13636P 36X PAL Camera, Canted, with FV Protocol, White**

Aluminum 36X, PAL, PTZ camera, White, Canted, FV Protocol with integrated wiper and heater.

Order number **MIC400ALWCW13636P**

**MIC400ALWUW13518P 18X PAL Camera, Upright, with Privacy & FV Protocol, White**

Aluminum 18X, PAL, PTZ camera, White, Upright, FV Protocol with integrated wiper, heater and privacy function.

Order number **MIC400ALWUW13518P**

**MIC400ALWUW13536P 36X PAL Camera, Upright, with Privacy & FV Protocol, White**

Aluminum 36X, PAL, PTZ camera, White, Upright, FV Protocol with integrated wiper, heater and privacy function.

Order number **MIC400ALWUW13536P**

**MIC400ALWUW13618P 18X PAL Camera, Upright, with FV Protocol, White**

Aluminum 18X, PAL, PTZ camera, White, Upright, FV Protocol with integrated wiper and heater.

Order number **MIC400ALWUW13618P**

**MIC400ALWUW13636P 36X PAL Camera, Upright, with FV Protocol, White**

Aluminum 36X, PAL, PTZ camera, White, Upright, FV Protocol with integrated wiper and heater.

Order number **MIC400ALWUW13636P**

**MIC400ALBCP13518N 18X NTSC Camera, Canted, with Privacy & Bosch Protocol, Black**

Aluminum 18X, NTSC, PTZ camera, Black, Canted, Bosch Protocol with integrated wiper, heater and privacy function.

Order number **MIC400ALBCP13518N**

**MIC400ALBCP13536N 36X NTSC Camera, Canted, with Privacy & Bosch Protocol, Black**

Aluminum 36X, NTSC, PTZ camera, Black, Canted, Bosch Protocol with integrated wiper, heater and privacy function.

Order number **MIC400ALBCP13536N**

**MIC400ALBCP13618N 18X NTSC Camera, Canted, with Bosch Protocol, Black**

Aluminum, 18X, NTSC, PTZ camera, Black, Canted, Bosch Protocol with integrated wiper and heater.

Order number **MIC400ALBCP13618N**

**MIC400ALBCP13636N 36X NTSC Camera, Canted, with Bosch Protocol, Black**

Aluminum, 36X, NTSC, PTZ camera, Black, Canted, Bosch Protocol with integrated wiper and heater.

Order number **MIC400ALBCP13636N**

**MIC400ALBUP13518N 18X NTSC Camera, Upright, with Privacy & Bosch Protocol, Black**

Aluminum 18X, NTSC, PTZ camera, Black, Upright, Bosch Protocol with integrated wiper, heater and privacy function.

Order number **MIC400ALBUP13518N**

**MIC400ALBUP13536N 36X NTSC Camera, Upright, with Privacy & Bosch Protocol, Black**

Aluminum 36X, NTSC, PTZ camera, Black, Upright, Bosch Protocol with integrated wiper, heater and privacy function.

Order number **MIC400ALBUP13536N**

**MIC400ALBUP13618N 18X NTSC Camera, Upright, with Bosch Protocol, Black**

Aluminum 18X, NTSC, PTZ camera, Black, Upright, Bosch Protocol with integrated wiper and heater.

Order number **MIC400ALBUP13618N**

**MIC400ALBUP13636N 36X NTSC Camera, Upright, with Bosch Protocol, Black**

Aluminum 36X, NTSC, PTZ camera, Black, Upright, Bosch Protocol with integrated wiper and heater.

Order number **MIC400ALBUP13636N**

**MIC400ALGCP13518N 18X NTSC Camera, Canted, with Privacy & Bosch Protocol, Grey**

Aluminum 18X, NTSC, PTZ camera, Grey, Canted, Bosch Protocol with integrated wiper, heater and privacy function.

Order number **MIC400ALGCP13518N**

**MIC400ALGCP13536N 36X NTSC Camera, Canted, with Privacy & Bosch Protocol, Grey**

Aluminum 36X, NTSC, PTZ camera, Grey, Canted, Bosch Protocol with integrated wiper, heater and privacy function.

Order number **MIC400ALGCP13536N**

**MIC400ALGCP13618N 18X NTSC Camera, Canted, with Bosch Protocol, Grey**

Aluminum 18X, NTSC, PTZ camera, Grey, Canted, Bosch Protocol with integrated wiper and heater.

Order number **MIC400ALGCP13618N**

**MIC400ALGCP13636N 36X NTSC Camera, Canted, with Bosch Protocol, Grey**

Aluminum 36X, NTSC, PTZ camera, Grey, Canted, Bosch Protocol with integrated wiper and heater.

Order number **MIC400ALGCP13636N**

**MIC400ALGUP13518N 18X NTSC Camera, Upright, with Privacy & Bosch Protocol, Grey**

Aluminum 18X, NTSC, PTZ camera, Grey, Upright, Bosch Protocol with integrated wiper, heater and privacy function.

Order number **MIC400ALGUP13518N**

**MIC400ALGUP13536N 36X NTSC Camera, Upright, with Privacy & Bosch Protocol, Grey**

Aluminum 36X, NTSC, PTZ camera, Grey, Upright, Bosch Protocol with integrated wiper, heater and privacy function.

Order number **MIC400ALGUP13536N**

**MIC400ALGUP13618N 18X NTSC Camera, Upright, with Bosch Protocol, Grey**

Aluminum 18X, NTSC, PTZ camera, Grey, Upright, Bosch Protocol with integrated wiper and heater.

Order number **MIC400ALGUP13618N**

**MIC400ALGUP13636N 36X NTSC Camera, Upright, with Bosch Protocol, Grey**

Aluminum 36X, NTSC, PTZ camera, Grey, Upright, Bosch Protocol with integrated wiper and heater.

Order number **MIC400ALGUP13636N**

**MIC400ALWCP13518N 18X NTSC Camera, Canted, with Privacy & Bosch Protocol, White**

Aluminum 18X, NTSC, PTZ camera, White, Canted, Bosch Protocol with integrated wiper, heater and privacy function.

Order number **MIC400ALWCP13518N**

**MIC400ALWCP13536N 36X NTSC Camera, Canted, with Privacy & Bosch Protocol, White**

Aluminum 36X, NTSC, PTZ camera, White, Canted, Bosch Protocol with integrated wiper, heater and privacy function.

Order number **MIC400ALWCP13536N**

**MIC400ALWCP13618N 18X NTSC Camera, Canted, with Bosch Protocol, White**

Aluminum 18X, NTSC, PTZ camera, White, Canted, Bosch Protocol with integrated wiper and heater.

Order number **MIC400ALWCP13618N**

**MIC400ALWCP13636N 36X NTSC Camera, Canted, with Bosch Protocol, White**

Aluminum 36X, NTSC, PTZ camera, White, Canted, Bosch Protocol with integrated wiper and heater.

Order number **MIC400ALWCP13636N**

**MIC400ALWUP13518N 18X NTSC Camera, Upright, with Privacy & Bosch Protocol, White**

Aluminum 18X, NTSC, PTZ camera, White, Upright, Bosch Protocol with integrated wiper, heater and privacy function.

Order number **MIC400ALWUP13518N**

**MIC400ALWUP13536N 36X NTSC Camera, Upright, with Privacy & Bosch Protocol, White**

Aluminum 36X, NTSC, PTZ camera, White, Upright, Bosch Protocol with integrated wiper, heater and privacy function.

Order number **MIC400ALWUP13536N**

**MIC400ALWUP13618N 18X NTSC Camera, Upright, with Bosch Protocol, White**

Aluminum 18X, NTSC, PTZ camera, White, Upright, Bosch Protocol with integrated wiper and heater.

Order number **MIC400ALWUP13618N**

**MIC400ALWUP13636N 36X NTSC Camera, Upright, with Bosch Protocol, White**

Aluminum 36X, NTSC, PTZ camera, White, Upright, Bosch Protocol with integrated wiper and heater.

Order number **MIC400ALWUP13636N**

**Accessories****MIC-24PSU-UL 24 VAC Camera Power Supply**

24 VAC, 50/60 Hz power supply for MIC Series cameras

Order number **MIC-24PSU-UL**

**MIC-115PSU-UL 115 VAC Camera Power Supply**

115 VAC, 60 Hz power supply for MIC Series cameras

Order number **MIC-115PSU-UL**

**MIC-240PSU-UL 240 VAC Camera Power Supply**

230 VAC, 50 Hz power supply for MIC Series cameras  
Order number **MIC-240PSU-UL**

**MIC-BP4 Biphase Converter**

Biphase converter for non-IR versions of MIC series power supply units  
Order number **MIC-BP4**

**MIC-DCA-B Deep Conduit Adapter, Black**

Deep conduit adapter for 4 in. PCD base - black leatherette finish, RAL9005  
Order number **MIC-DCA**

**MIC-DCA-G Deep Conduit Adapter, Grey**

Deep conduit adapter for 4 in. PCD base - grey leatherette finish, RAL9010  
Order number **MIC-DCA-G**

**MIC-DCA-W Deep Conduit Adapter, White**

Deep conduit adapter for 4 in. PCD base - white leatherette finish RAL9003  
Order number **MIC-DCA-W**

**MIC-SCA-B Shallow Conduit Adapter, Black**

Shallow conduit adapter for 4 in. PCD base - black, leatherette finish, RAL9005  
Order number **MIC-SCA**

**MIC-SCA-G Shallow Conduit Adapter, Grey**

Shallow conduit adapter for 4 in. PCD base - grey, leatherette finish, RAL7001  
Order number **MIC-SCA-G**

**MIC-SCA-W Shallow Conduit Adapter, White**

Shallow conduit adapter for 4 in. PCD base - white, leatherette finish, RAL9003  
Order number **MIC-SCA-W**

**MIC-SPR Spreader Plate**

Aluminum spreader plate suitable for brickwork surface mounting – black leatherette finish RAL9005  
Order number **MIC-SPR**

**MIC-SPR-G Spreader Plate, Grey**

Aluminum spreader plate suitable for brickwork surface mounting, grey leatherette finish (RAL7001)  
Order number **MIC-SPR-G**

**MIC-SPR-W Spreader Plate, White**

Aluminum spreader plate suitable for brickwork surface mounting, white leatherette finish (RAL9003)  
Order number **MIC-SPR-W**

**MIC-CMB-B Corner Mount Bracket, Black**

Corner mount bracket, black leatherette finish (RAL9005)  
Order number **MIC-CMB-B**

**MIC-CMB-G Corner Mount Bracket, Grey**

Corner mount bracket, grey leatherette finish (RAL7001)  
Order number **MIC-CMB-G**

**MIC-CMB-W Corner Mount Bracket, White**

Corner mount bracket, white leatherette finish (RAL9003)  
Order number **MIC-CMB-W**

**MIC-PMB Pole Mount Bracket**

Pole mount bracket (includes 2 x 455 mm stainless steel banding straps for pole diameters 75 to 145 mm)  
Order number **MIC-PMB**

**MIC-WMB-B Wall Mount Bracket, Black**

Wall mount bracket, black leatherette finish (RAL9005)  
Order number **MIC-WMB-B**

**MIC-WMB-G Wall Mount Bracket, Grey**

Wall mount bracket, grey leatherette finish (RAL7001)  
Order number **MIC-WMB-G**

**MIC-WMB-W Wall Mount Bracket, White**

Wall mount bracket, white leatherette finish (RAL9003)  
Order number **MIC-WMB-W**

**MICUSB485CVTR2 USB to RS485 Signal Converter**

USB to RS485 signal converter to allow MIC Series cameras to connect to a PC, supplied with each camera  
Order number **MICUSB485CVTR2**

**MIC-ALM Alarm and Washer Pump Drive Card**

8 Input alarm and washer pump drive card for PSU (Not for IR PSU)  
Order number **MIC-ALM**

**UPA-2450-50 Power Supply, 220 V, 50 Hz**

Indoor, 220 VAC, 50 Hz In; 24 VAC, 50 VA Out  
Order number **UPA-2450-50**

**UPA-2450-60 Power Supply, 120 V, 60 Hz**

Indoor, 120 VAC, 60 Hz In; 24 VAC, 50 VA Out  
Order number **UPA-2450-60**

**MIC-2M-S 2 m Shielded Composite Cable**

Shielded Composite 2 m cable that provides power, telemetry and video connection from a MIC Series camera to a MIC Series power supply  
Order number **MIC-2M-S**

**MIC-10M-S 10 m Shielded Composite Cable**

Shielded Composite 10 m cable that provides power, telemetry and video connection from a MIC Series camera to a MIC Series power supply  
Order number **MIC-10M-S**

**MIC-20M-S 20 m Shielded Composite Cable**

Shielded Composite 20 m cable that provides power, telemetry and video connection from a MIC Series camera to a MIC Series power supply  
Order number **MIC-20M-S**

**MIC-25M-S 25 m Shielded Composite Cable**

Shielded Composite 25 m cable that provides power, telemetry and video connection from a MIC Series camera to a MIC Series power supply

Order number **MIC-25M-S**

---

**MIC-WKT Washer Kit**

Washer kit for non infrared MIC models (includes washer pump drive card, washer nozzle and mounting brackets for wall and 4 in. PCD base)

Order number **MIC-WKT**

---

**HAC-WAS05-20 24 VAC Washer**

24 VAC washer inst. 4M 25L

Order number **HAC-WAS05-20**

---

**HAC-WAS30-50 230 VAC Washer**

230 VAC washer inst. 30M 25L

Order number **HAC-WAS30-50**

---

**Represented by:**

**Americas:**

Bosch Security Systems, Inc.  
130 Perinton Parkway  
Fairport, New York, 14450, USA  
Phone: +1 800 289 0096  
Fax: +1 585 223 9180  
security.sales@us.bosch.com  
www.boschsecurity.us

**Europe, Middle East, Africa:**

Bosch Security Systems B.V.  
P.O. Box 80002  
5617 BA Eindhoven, The Netherlands  
Phone: + 31 40 2577 284  
Fax: +31 40 2577 330  
emea.securitysystems@bosch.com  
www.boschsecurity.com

**Asia-Pacific:**

Robert Bosch (SEA) Pte Ltd, Security Systems  
11 Bishan Street 21  
Singapore 573943  
Phone: +65 6571 2808  
Fax: +65 6571 2699  
apr.securitysystems@bosch.com  
www.boschsecurity.asia

**China:**

Bosch (Shanghai) Security Systems Ltd.  
201 Building, No. 333 Fuquan Road  
North IBP  
Changning District, Shanghai  
200335 China  
Phone +86 21 22181111  
Fax: +86 21 22182398  
www.boschsecurity.com.cn

**America Latina:**

Robert Bosch Ltda Security Systems Division  
Via Anhanguera, Km 98  
CEP 13065-900  
Campinas, Sao Paulo, Brazil  
Phone: +55 19 2103 2860  
Fax: +55 19 2103 2862  
latam.boschsecurity@bosch.com  
www.boschsecurity.com