

VBC-420Z27 All-in-One 27x Optical Zoom Camera

www.boschsecurity.com



BOSCH
Invented for life

Advantage Line

The VBC-420Z27-O Day/Night camera is a high performance, smart, surveillance camera.

The camera is easy to install and ready to use, and offers the best solution for demanding scene conditions. The day/night feature ensures the highest image quality possible at any time. Depending on the available light, the camera automatically switches from color to monochrome. It is especially useful where you need to capture images under highly variable lighting conditions with 3D-DNR function.

The built-in 27x optical zoom lens combined with the 10x digital zoom enables you to magnify objects 270 times. The auto focus and auto iris features ensure a clear image without loss of picture quality.

Features

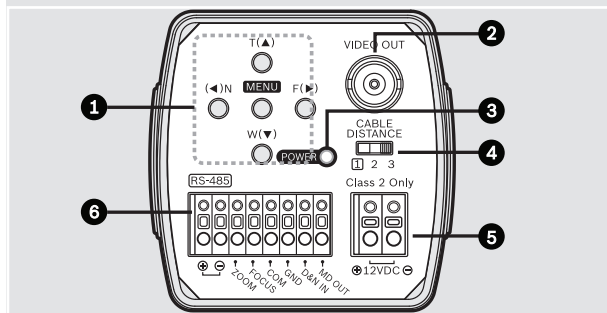
- ▶ Built-in 27x optical zoom lens
- ▶ 3.6 to 97.2 mm DC Iris lens
- ▶ Auto focus / Auto iris
- ▶ Day/night performance with switchable filter
- ▶ DNR function to reduce noise

2 | VBC-420Z27 All-in-One 27x Optical Zoom Camera

Technical specifications

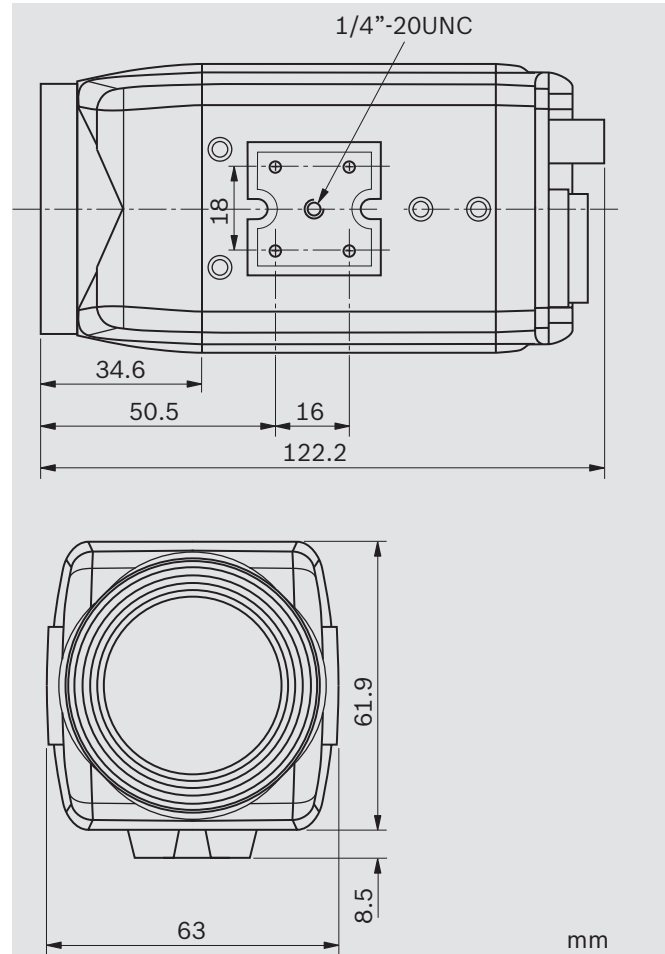
Technical specifications	
Scanning System	2:1 interlace
Horizontal Scanning Frequency	15.625 kHz
Vertical Scanning Frequency	50 Hz
Image Sensor	1/4-inch IT CCD
Total Pixels	795(H) x 596(V) 470K
Effective Pixels	752(H) x 582(V) 440K
Horizontal Resolution	540 TVL (min.)
S/N Ratio	greater than 50 dB (AGC off)
Lens	27x Zoom Video AF F1.6(W), F3.7(T) f = 3.6 to 97.2 mm
Angle of View (HOR)	55.21° to 2.12°
Minimum Illumination (30IRE)	Day Mode: 0.5 lx Night Mode: 0.1 lx DSS (128FLD) Mode: 0.0005 lx
Synchronization	Internal
Signal Output	1 Vpp Composite output with 75 Ohm Terminated
Power Consumption	12 VDC (9V~15V), Max. 4.8 W / 400 mA
Dimensions (WxHxD)	63 x 61.9 x 122.2 mm
Weight	325 g approx.

Connections



1	Menu selection buttons
2	BNC Video output connector
3	Power indication LED
4	Cable compensation switch
5	Power input connector
6	Control connector

Dimensions



Ordering information

VBC-420Z27-O All-in-One 27x Optical Zoom Camera

VBC-420Z27-O

Represented by:

Americas:
Bosch Security Systems, Inc.
130 Perinton Parkway
Fairport, New York, 14450, USA
Phone: +1 800 289 0096
Fax: +1 585 223 9180
security.sales@us.bosch.com
www.boschsecurity.us

Europe, Middle East, Africa:
Bosch Security Systems B.V.
P.O. Box 80002
5617 BA Eindhoven, The Netherlands
Phone: +31 40 2577 284
Fax: +31 40 2577 330
emea.securitysystems@bosch.com
www.boschsecurity.com

Asia-Pacific:
Robert Bosch (SEA) Pte Ltd, Security Systems
11 Bishan Street 21
Singapore 573943
Phone: +65 6571 2808
Fax: +65 6571 2699
apr.securitysystems@bosch.com
www.boschsecurity.asia

China:
Bosch (Shanghai) Security Systems Ltd.
201 Building, No. 333 Fuquan Road
North IBP
Changning District, Shanghai
200335 China
Phone +86 21 22181111
Fax: +86 21 22182398
www.boschsecurity.com.cn

America Latina:
Robert Bosch Ltda Security Systems Division
Via Anhanguera, Km 98
CEP 13065-900
Campinas, Sao Paulo, Brazil
Phone: +55 19 2103 2860
Fax: +55 19 2103 2862
latam.boschsecurity@bosch.com
www.boschsecurity.com