

# EX82 Infrared Imager

www.boschsecurity.com



**BOSCH**  
Invented for life



- ▶ Daytime color, active-infrared night vision
- ▶ No focus shift, IR bleed or other distortions
- ▶ Black Diamond infrared technology
- ▶ Detection-level imaging to 75 m (250 ft)
- ▶ Packed with installer-friendly enhancements

The EX82 is a dual-sensor, dual-lens, Infrared Imager that delivers outstanding color performance by day and award-winning night vision for critical 24/7 surveillance applications.

Building from its patented Integrated Day/Night design, the EX82 Infrared Imager combines performance optics and ground-breaking Black Diamond technology for High-Fidelity night vision imaging, the most advanced level of night vision performance available today.

Capable of fulfilling all four DCRI surveillance levels (Detection, Classification, Recognition and Identification), the EX82 provides effective 24/7 imaging for critical applications including transit, defense, critical infrastructure and port security.

## Functions

### Black Diamond High Fidelity Infrared Technology

- Award-winning Black Diamond technology eliminates hotspot foregrounds and under-exposed backgrounds
- Detection-level imaging at 75 m (246 ft)
- Effective 24/7 surveillance for critical applications

### Patented Dual Sensor Integrated Day Night Design

- 500 TVL Hi-resolution Color CCD for outstanding daytime color

- 540 TVL Hi-resolution Monochrome CCD for award-winning night vision
- Completely eliminates focus shift, IR bleed and other image distortions typical in conventional night vision cameras

### Installer-Friendly Features

- Sliding optical chassis for fast, easy-access lens and CCD adjustments
- Captive screws
- 4 to 9 mm or 9 to 22 mm varifocal, auto-iris lenses
- Weather-sealed housing design to NEMA 4X
- Adjustable infrared intensity and photocell sensitivity
- Cable-managed wall bracket, pan-tilt adjustable

### DCRI Performance

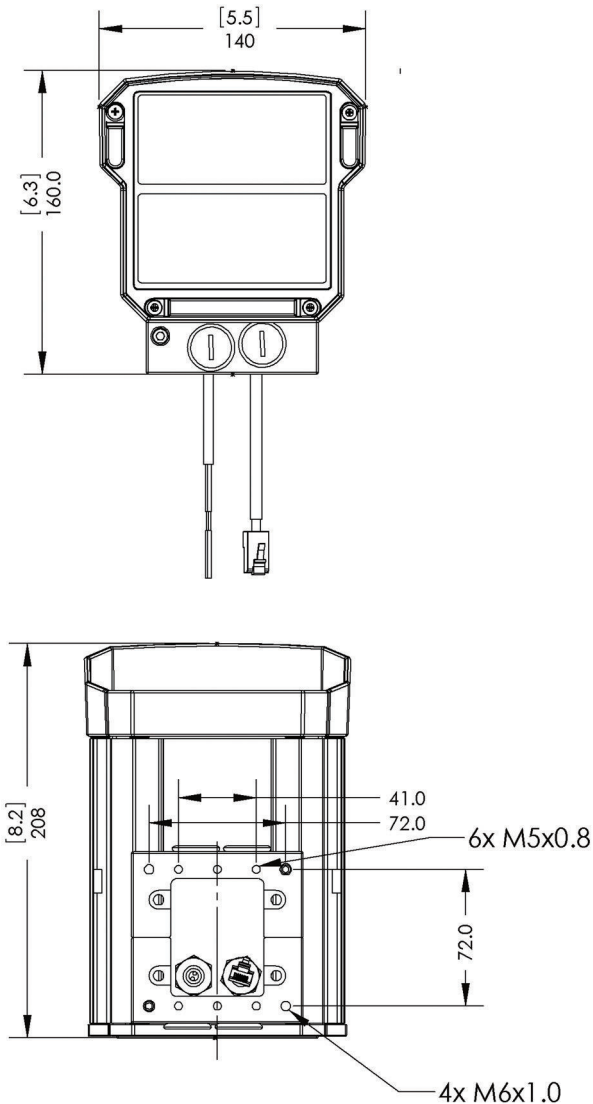
Our CCTV Infrared Imagers are tested for performance to DCRI surveillance levels. Conformance to these criteria ensure that our cameras deliver outstanding video at any one of the four levels of surveillance shown below, assuring security specifiers the broadest range of capability.

Parameters at 850 nm

Detection	75 m (250 ft)
Classification	60 m (200 ft)

Recognition	45 m (150 ft)
Identification	25 m (75 ft)

**Installation/configuration notes**



**Technical specifications**

**Video**

Sensor	C7 Hi-resolution Color CCD	SX7 Hi-resolution monochrome CCD
Effective Pixels	NTSC: 768 x 494 (HxV)	NTSC: 542 x 492 (HxV)
	PAL: 752 x 582 (HxV)	PAL: 542 x 582 (HxV)
Resolution	500 TVL	540 TVL
S/N Ratio	Greater than 48 dB	Greater than 48 dB
Daytime Sensitivity	2.7 lux at F1.4	0.01 lux at F1.2 (AGC on)

Night-time Sensitivity	0.0 lux (works in total darkness)
Lens	Varifocal 4 to 9 mm or 9 to 22 mm auto-iris lens
Gamma	0.45
Video Output	1Vpp, 75 ohm
Day-Night Switching	Photocell-controlled, automatic
Photocell	Automatic, sensitivity adjustable
LEDs	Black Diamond High-Fidelity Infrared, intensity adjustable
Wavelength	850 nm (semi-covert) or 940 nm (covert)*

**Electrical**

Voltage Supply	12 VDC or 24 VAC
Power Consumption	36 W max

**Mechanical**

Construction	Robust aluminium casting
Finish	Baked enamel finish, black standard
Bracket	Cable managed wall bracket included
Dimension	131 x 139 x 207 mm (H x W x D) 5.2 x 5.5 x 8.2 in (H x W x D)
Weight	1.4 kg (3.4 lb)

**Environmental**

Operation Temperature Range	-50 °C to +50 °C (-58 °F to 122 °F)
Environment	NEMA 4X compliant



**Notice**

\* For 940 nm, 50-60% distance loss from stated distances at 850 nm

**Ordering information**

**EX82D8V0409B-N Infrared Imager**

Day/Night dual sensor, VA4-9 mm, 850 nm  
BlackDiamond, black, NTSC  
Order number **EX82D8V0409B-N**

**EX82D8V0409B-P Infrared Imager**

Day/Night dual sensor, VA4-9 mm, 850 nm  
BlackDiamond, black, PAL  
Order number **EX82D8V0409B-P**

**EX82D9V0409B-N Infrared Imager**

Day/Night dual sensor, VA4-9 mm, 940 nm  
BlackDiamond, black, NTSC  
Order number **EX82D9V0409B-N**

**EX82D9V0409B-P Infrared Imager**

Day/Night dual sensor, VA4-9 mm, 940 nm  
BlackDiamond, black, PAL  
Order number **EX82D9V0409B-P**

---

**EX82D8V0922B-N Infrared Imager**

Day/Night dual sensor, VA9-22 mm, 850 nm  
BlackDiamond, black, NTSC  
Order number **EX82D8V0922B-N**

---

**EX82D8V0922B-P Infrared Imager**

Day/Night dual sensor, VA9-22 mm, 850 nm  
BlackDiamond, black, PAL  
Order number **EX82D8V0922B-P**

---

**EX82D9V0922B-N Infrared Imager**

Day/Night dual sensor, VA9-22 mm, 940 nm  
BlackDiamond, black, NTSC  
Order number **EX82D9V0922B-N**

---

**EX82D9V0922B-P Infrared Imager**

Day/Night dual sensor, VA9-22 mm, 940 nm  
BlackDiamond, black, PAL  
Order number **EX82D9V0922B-P**

---

**EX82D8V0409W-N Infrared Imager**

Day/Night dual sensor, VA4-9 mm, 850 nm  
BlackDiamond, white, NTSC  
Order number **EX82D8V0409W-N**

---

**EX82D8V0409W-P Infrared Imager**

Day/Night dual sensor, VA4-9 mm, 850 nm,  
BlackDiamond, white, PAL  
Order number **EX82D8V0409W-P**

---

**EX82D9V0409W-N Infrared Imager**

Day/Night dual sensor, VA4-9 mm, 940 nm  
BlackDiamond, white, NTSC  
Order number **EX82D9V0409W-N**

---

**EX82D9V0409W-P Infrared Imager**

Day/Night dual sensor, VA4-9 mm, 940 nm  
BlackDiamond, white, PAL  
Order number **EX82D9V0409W-P**

---

**EX82D8V0922W-N Infrared Imager**

Day/Night dual sensor, VA9-22 mm, 850 nm  
BlackDiamond, white, NTSC  
Order number **EX82D8V0922W-N**

---

**EX82D8V0922W-P Infrared Imager**

Day/Night dual sensor, VA9-22 mm, 850 nm  
BlackDiamond, white, PAL  
Order number **EX82D8V0922W-P**

---

**EX82D9V0922W-N Infrared Imager**

Day/Night dual sensor, VA9-22 mm, 940 nm  
BlackDiamond, white, NTSC  
Order number **EX82D9V0922W-N**

---

**EX82D9V0922W-P Infrared Imager**

Day/Night dual sensor, VA9-22 mm, 940 nm  
BlackDiamond, white, PAL  
Order number **EX82D9V0922W-P**

---

**Accessories**

**EXPS.009 VAC Power Supply**

Power supply 24 VAC, 2500 mA RoHS  
Order number **EXPS.009**

---

**EXMB.015B Pole Mount Adapter Bracket**

Pole Mount Adapter, black  
Order number **EXMB.015B**

---

**EXMB.015W Pole Mount Adapter**

Pole Mount Adapter, White  
Order number **EXMB.015W**

---

**EXMB.017B Wall Mount Adapter Bracket**

Wall Mount Adapter, Black  
Order number **EXMB.017B**

---

**EXMB.017W Wall Mount Adapter Bracket**

Wall Mount Adapter, White  
Order number **EXMB.017W**

---

**EXMB.029B Ceiling Mount Bracket**

Ceiling Mount Bracket, Black  
Order number **EXMB.029B**

---

**EXMB.029W Ceiling Mount Bracket**

Ceiling Mount Bracket, white  
Order number **EXMB.029W**

---

**EXMB.061 Pole Top Bracket**

Stainless Pole Top Bracket  
Order number **EXMB.061**

---

**EXSH.01B Sunhood**

Sunhood, black  
Order number **EXSH01B**

---

**EXSH.01W Sunhood**

Sunhood, white  
Order number **EXSH01W**

---

**PSU-230-24 Power Supply**

Power Supply, 230 VAC / 24 VAC, 50 W  
Order number **PSU-230-24**

---

**Represented by:**

**Americas:**

Bosch Security Systems, Inc.  
130 Perinton Parkway  
Fairport, New York, 14450, USA  
Phone: +1 800 289 0096  
Fax: +1 585 223 9180  
security.sales@us.bosch.com  
www.boschsecurity.us

**Europe, Middle East, Africa:**

Bosch Security Systems B.V.  
P.O. Box 80002  
5617 BA Eindhoven, The Netherlands  
Phone: + 31 40 2577 284  
Fax: +31 40 2577 330  
emea.securitysystems@bosch.com  
www.boschsecurity.com

**Asia-Pacific:**

Robert Bosch (SEA) Pte Ltd, Security  
Systems  
11 Bishan Street 21  
Singapore 573943  
Phone: +65 6571 2808  
Fax: +65 6571 2699  
apr.securitysystems@bosch.com  
www.boschsecurity.asia

**China:**

Bosch (Shanghai) Security Systems Ltd.  
201 Building, No. 333 Fuquan Road  
North IBP  
Changning District, Shanghai  
200335 China  
Phone +86 21 22181111  
Fax: +86 21 22182398  
www.boschsecurity.com.cn

**America Latina:**

Robert Bosch Ltda Security Systems Division  
Via Anhanguera, Km 98  
CEP 13065-900  
Campinas, Sao Paulo, Brazil  
Phone: +55 19 2103 2860  
Fax: +55 19 2103 2862  
latam.boschsecurity@bosch.com  
www.boschsecurity.com