

# EX10 Extreme Environment Camera

www.boschsecurity.com



**BOSCH**  
Invented for life



The EX10 series is particularly suited for harsh weather applications. The simple, effective design allows performance in the most challenging of environmental conditions, including wash-down facilities, corrosive environments and sub-zero temperatures.

Made of an injection-molded ABS/Nylon resin, the EX10 series is engineered specifically to withstand hot, cold and wet environments. An insulated inner chamber eliminates the requirement for internal heaters and blowers. Compliant to IP67, the EX10 series also features an easy-access camera compartment for easy camera/lens adjustments and installation.

Rugged, compact, power protected and extreme weather-sealed, the EX10 is the ideal camera for harsh environments in day or dark conditions. The EX10 comes complete with a nylon wall bracket for quick and easy installation.

## Functions

### Applications

- Food processing
- Marine vessels and marinas
- Clean rooms
- Acid / alkali environments

- ▶ Weatherproof and insulated for hot and cold environments
- ▶ Installer-friendly, easy-access camera compartment
- ▶ Extreme weather sealed, waterproof and IP67 compliant
- ▶ Reduced power consumption, no requirement for internal heater or fan
- ▶ Operating temperature range from -60°C to +60°C

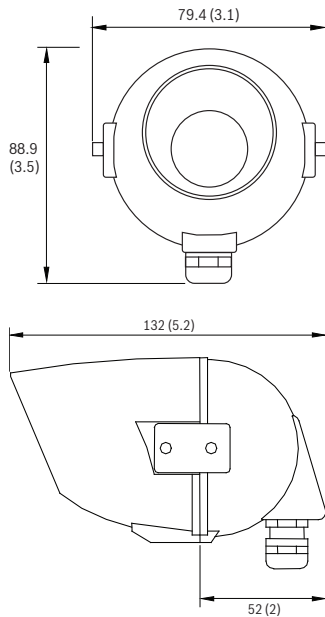
- Swimming pools
- Sewage treatment plants
- Industrial freezers
- Oil rigs

## Certifications and approvals

CSA Type 6	Outdoor weather rating
CSA C22.2 No 0-M1991	General electrical reqts, part II
CSA C22.2 No 1-M94	Audio, video, and similar equipment
CSA C22.2 No 94-M91	Special purpose enclosures
UL Std No 50	Enclosures for electrical equipment
UL Std No 2044	Commercial CCTV equipment
FCC Class B	

**Installation/configuration notes**

**Dimensions**



mm (in)

**Parts included**

- Universal mounting bracket included

**Technical specifications**

**C7 Hi-Res Color**

Image Sensor	1/3 in. Interline SuperHAD
Resolution	500 TVL
Effective Pixels NTSC	768 (H) x 494 (V)
Effective Pixels PAL	768 (H) x 494 (V)
Sensitivity	2.7 Lux at F1.4
S/N Ratio	Greater than 48 dB

**MX4 Extended Day/Night**

Image Sensor	1/3 in. LXR CCD
Resolution	540 TVL color / 540 TVL monochrome
Effective Pixels NTSC	768 (H) x 494 (V)
Effective Pixels PAL	752 (H) x 582 (V)
Sensitivity	0.02 Lux with F1.4 lens
S/N Ratio	Greater than 48dB

**All Models**

Video Output	1 Vpp, 75 ohm
Gamma	0.45

Gain Control	> 18 dB
Electronics Iris	1/60 to 1/100,000 (NTSC) 1/50 to 1/100,000 (PAL)

Voltage Supply	12 to 24 AC/DC
Power Consumption	120 mA at 12 VDC, 1.4 W (max)

Enclosure	Injection-molded nylon
Window	Polycarbonate
Dimensions	132 x 76 mm 5.2 x 3.0 in
Weight	0.375 kg (0.8 lb)

Operation Temperature Range	-60 °C to +60 °C (-76 °F to 140 °F)
Environmental	IP67, NEMA6, NEMA6P compliant

**Ordering information**

**EX10C704B-N Extreme Environment Camera**  
1/3 in. hi-res color, 500TVL, 3.6 mm lens, NTSC  
Order number **EX10C704B-N**

**EX10C706B-N Extreme Environment Camera**  
1/3 in. hi-res color, 500TVL, 6 mm lens, NTSC  
Order number **EX10C706B-N**

**EX10C712B-N Extreme Environment Camera**  
1/3 in. hi-res color, 500TVL, 12 mm lens, NTSC  
Order number **EX10C712B-N**

**EX10C704B-P Extreme Environment Camera**  
1/3 in. hi-res color, 500TVL, 3.6 mm lens, PAL  
Order number **EX10C704B-P**

**EX10C706B-P Extreme Environment Camera**  
1/3 in. hi-res color, 500TVL, 6 mm lens, PAL  
Order number **EX10C706B-P**

**EX10C712B-P Extreme Environment Camera**  
1/3 in. hi-res color, 500TVL, 12 mm lens, PAL  
Order number **EX10C712B-P**

**EX10M404B-N Extreme Environment Camera**  
1/3 in. hi-res day/night, 540/540TVL, 3.6 mm lens, NTSC  
Order number **EX10M404B-N**

**EX10M406B-N Extreme Environment Camera**  
1/3 in. hi-res day/night, 540/540TVL, 6 mm lens, NTSC  
Order number **EX10M406B-N**

**EX10M412B-N Extreme Environment Camera**

1/3 in. hi-res day/night, 540/540TVL, 12 mm lens,  
NTSC

Order number **EX10M412B-N**

---

**EX10M404B-P Extreme Environment Camera**

1/3 in. hi-res day/night, 540/540TVL, 3.6 mm lens, PAL

Order number **EX10M404B-P**

---

**EX10M406B-P Extreme Environment Camera**

1/3 in. hi-res day/night, 540/540TVL, 6 mm lens, PAL

Order number **EX10M406B-P**

---

**EX10M412B-P Extreme Environment Camera**

1/3 in. hi-res day/night, 540/540TVL, 12 mm lens, PAL

Order number **EX10M412B-P**

---

**EX10MX404B-N Extreme Environment Camera**

1/3 in. extended day/night, 540/540TVL, 3.6 mm lens,  
NTSC

Order number **EX10MX404B-N**

---

**EX10MX406B-N Extreme Environment Camera**

1/3 in. extended day/night, 540/540TVL, 6 mm lens,  
NTSC

Order number **EX10MX406B-N**

---

**EX10MX412B-N Extreme Environment Camera**

1/3 in. extended day/night, 540/540TVL, 12 mm lens,  
NTSC

Order number **EX10MX412B-N**

---

**EX10MX404B-P Extreme Environment Camera**

1/3 in. extended day/night, 540/540TVL, 3.6 mm lens,  
PAL

Order number **EX10MX404B-P**

---

**EX10MX406B-P Extreme Environment Camera**

1/3 in. extended day/night, 540/540TVL, 6 mm lens,  
PAL

Order number **EX10MX406B-P**

---

**EX10MX412B-P Extreme Environment Camera**

1/3 in. extended day/night, 540/540TVL, 12 mm lens,  
PAL

Order number **EX10MX412B-P**

---

**Accessories**

**BRKU10 U-type Bracket**

Bracket, U-type for EX10, black

Order number **BRKU10**

---

**EXPS.008 VAC Power Supply**

Power supply 120 VAC/ 24 VAC 1500 mA

Order number **EXPS.008**

---

**PSU-230-24 Power Supply**

Power Supply, 230 VAC / 24 VAC, 50 W

Order number **PSU-230-24**

---

**Represented by:**

**Americas:**

Bosch Security Systems, Inc.  
130 Perinton Parkway  
Fairport, New York, 14450, USA  
Phone: +1 800 289 0096  
Fax: +1 585 223 9180  
security.sales@us.bosch.com  
www.boschsecurity.us

**Europe, Middle East, Africa:**

Bosch Security Systems B.V.  
P.O. Box 80002  
5617 BA Eindhoven, The Netherlands  
Phone: + 31 40 2577 284  
Fax: +31 40 2577 330  
emea.securitysystems@bosch.com  
www.boschsecurity.com

**Asia-Pacific:**

Robert Bosch (SEA) Pte Ltd, Security  
Systems  
11 Bishan Street 21  
Singapore 573943  
Phone: +65 6571 2808  
Fax: +65 6571 2699  
apr.securitysystems@bosch.com  
www.boschsecurity.asia

**China:**

Bosch (Shanghai) Security Systems Ltd.  
201 Building, No. 333 Fuquan Road  
North IBP  
Changning District, Shanghai  
200335 China  
Phone +86 21 22181111  
Fax: +86 21 22182398  
www.boschsecurity.com.cn

**America Latina:**

Robert Bosch Ltda Security Systems Division  
Via Anhanguera, Km 98  
CEP 13065-900  
Campinas, Sao Paulo, Brazil  
Phone: +55 19 2103 2860  
Fax: +55 19 2103 2862  
latam.boschsecurity@bosch.com  
www.boschsecurity.com