



DKM 120 Manual call point

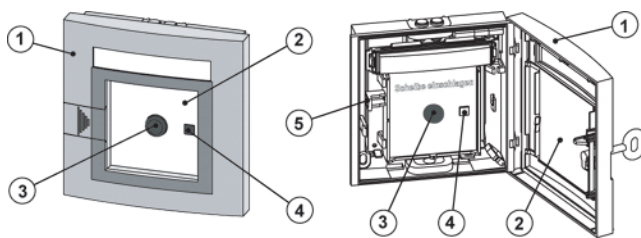


- ▶ Adjustment of the manual call point after alarm triggering
- ▶ Variable labeling possible with foil sets
- ▶ Indicator LED for alarm or for inspection evaluation
- ▶ Second contact with connections for panel control
- ▶ Variants for interior and exterior areas

DKM 120 conventional manual call points handle manual alarm triggering and are used with conventional technology.

Detectors for outdoor use (form H) have a cover equipped with a seal.

Functions



In the event of an alarm, the glass pane (2) is broken first, then the manual call point (3) is pressed hard.

This activates the micro switch for alarm triggering and the indicator LED (4) blinks.

A locking mechanism holds the pressed manual call point.

The manual call point can be reset with the reset lever (5). The indicator LED (4) goes out.

This does not reset the alarm on the fire panel.

Variants

The design of the manual call points for interior areas (form G) and exterior areas (form H) are identical. Three color variants, red, blue, and yellow are available.

Certifications and Approvals

VdS - approval number: **G 298 061**

ATEX approval: **PTB 01 ATEX 2163X**

Installation/Configuration Notes

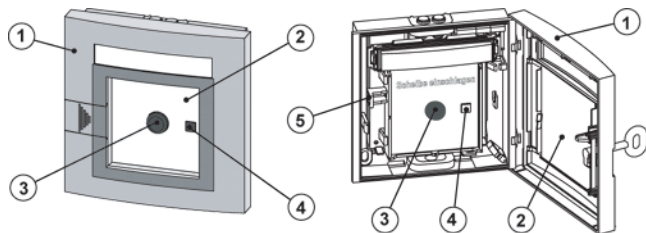
- Manual call points have to be mounted visibly along escape and rescue routes (e.g. exits, passageways, stairwells) and be easily accessible.
- An installation height of 1400 mm \pm 200 mm, measured from the middle of the manual call point to the floor, must be maintained.
- Manual call points must be illuminated sufficiently with daylight or another light source (including emergency lighting, if present).
- Max. one test detector may be used for primary lines together with automatic detectors. The test detector is connected at the end of the primary line.
- Further standards, guidelines and planning recommendations regarding the installation location etc., should also be taken into consideration (see Fire Detection manual).
- Regulations of local fire departments must be observed.

Installation/configuration notes in accordance with VdS/VDE

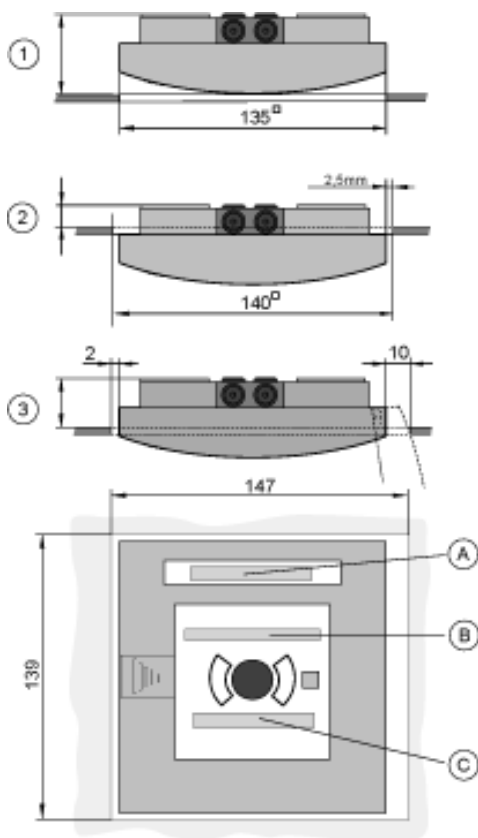
- The distance between manual call points should not exceed 100 m according to DIN 14 675 or 80 m according to VdS.
- In high risk areas, manual call points should be installed at a distance of max. 40 m (VDE 0833 Part 2, Point 7.2.6).
- According to VdS, up to 10 manual call points can be connected to a primary line.

Installation

- Cables can be inserted surface-mounted or flush-mounted.



- Installation in fire hose cabinets is possible in three ways:



Pos.	Description
1	Installation depth version 1: min. 37 mm
2	Installation depth version 2: 14 mm
3	Installation depth version 3: approx. 30 mm

Pos.	Description
A	"Fire department"
B	"Break glass"
C	"Press button hard"

Parts Included

Type of device	Qty.	Components
DKM 120, type G, red	1	Manual call point, housing color red
DKM 120, type G, blue	1	Manual call point, housing color blue
DKM 120, type G, yellow	1	Manual call point, housing color yellow
DKM 120, type H, red	1	Manual call point, housing color red, detector door with seal
DKM 120, type H, blue	1	Manual call point, housing color blue, detector door with seal
DKM 120, type H, yellow	1	Manual call point, housing color yellow, detector door with seal
DKM 120 test detector, type G, blue	1	Manual call point, housing color blue, aluminum insert plate

Note Standard labeling in German, other labeling possible with universal foil set. The labeling "test detector" is performed using the universal labeling field for the upper labeling field.

Technical Specifications

Electrical

Operating voltage	19 V DC . . . 30 V DC
Current consumption	Specified by the respective security system

Mechanics

Dimensions (W x H x D)	135 x 135 x 36 mm
Housing material	Plastic (ASA)
Colors	Red, RAL 3001 Blue, RAL 5005 Yellow, RAL 1003
Weight	Approx. 450 g

Environmental conditions

Protection category as per EN 60529

- Type G (indoor area) IP 52
- Type H (outdoor area) IP 54

Environmental class according to EN 54 T2

- Type G (indoor area) II
- Type H (outdoor area) III

Permissible operating temperature

- Type G (indoor area) -10 °C . . . +55 °C
- Type H (outdoor area) -25 °C . . . +70 °C

Ordering Information

DKM 120, Type G, red for triggering the alarm manually using conventional technology Manual call point for use in interior areas	DKM120-Form-G red
DKM 120, Type G, blue for triggering the alarm manually using conventional technology Manual call point for use in interior areas	DKM120-Form-G blue
DKM 120, Type G, yellow for triggering the alarm manually using conventional technology Manual call point for use in interior areas	DKM120 Form G/ yellow
DKM 120, Type H, red for triggering the alarm manually using conventional technology Manual call point for use in exterior areas	DKM120-Form-H red
DKM 120, Type H, blue for triggering the alarm manually using conventional technology Manual call point for use in exterior areas	DKM120 Form H/ blue

Ordering Information

DKM 120, Type H, yellow for triggering the alarm manually using conventional technology Manual call point for use in exterior areas	DKM120 Form H/ yellow
DKM 120 Test call point, form G, blue for triggering the alarm manually using conventional technology Manual call point for use in interior areas	DKM120-Form-G blue
Accessories	
Spare glass pane (PU = 5 pieces) For fire detectors form G, H and K	DKM-SPARE-GLASS
Key for fire detectors types G and H made of red plastic (ASA)	FMM-KEY-Form G/H
Sign with label "Nicht in Betrieb" Metal sign for fire detectors form G or H	FMM-SIGN
Punched, self-adhesive foil sets (blank), for operating panel and labeling field 10 units, for DM / DKM / SM / SKM, for individual printing	DKM120-LABEL
Multi-purpose labelling foils for the upper label field 5 units	DKM-LABELS

Europe, Middle East, Africa:
Bosch Security Systems B.V.
P.O. Box 80002
5600 JB Eindhoven, The Netherlands
Phone: + 31 40 2577 284
Fax: +31 40 2577 330
emea.securitysystems@bosch.com
www.boschsecurity.com

Americas:
Bosch Security Systems, Inc.
130 Perinton Parkway
Fairport, New York, 14450, USA
Phone: +1 800 289 0096
Fax: +1 585 223 9180
security.sales@us.bosch.com
www.boschsecurity.us

Asia-Pacific:
Bosch Security Systems Pte Ltd
38C Jalan Pemimpin
Singapore 577180
Phone: +65 6319 3450
Fax: +65 6319 3499
apr.securitysystems@bosch.com
www.boschsecurity.com

Represented by