

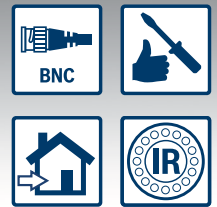
Indoor IR Dome Camera

www.boschsecurity.com



BOSCH

Invented for life



Advantage Line

The VDI-230 and VDI-260 cameras are compact, stylish surveillance domes with integrated IR illumination, offering excellent resolution in variable lighting conditions. The high performance 1/3-inch CCD camera is available with a 3.8 mm fixed lens, or a 3.8 to 9.5 mm varifocal lens with integrated day/night filter.

The camera is easy to install and can be adjusted around 3 axes. Privacy zones and motion detection functions can be set up in the handy camera menu system.

Features

- ▶ Excellent resolution (570 TVL sensor resolution)
- ▶ Clean images under variable light
- ▶ Easy install
- ▶ Integrated IR LEDs

Technical specifications

Technical specifications	
System	PAL
Effective pixels (H x V)	752 x 582 (PAL)
Image Sensor	1/3-inch High sensitivity CCD
Video Output	Composite: 1 Vpp, 75 Ohm
Sync. System	Internal sync., Line-lock
S/N Ratio (sharpness, AGC off)	>50 dB min.
Horizontal resolution	570 TVL sensor resolution
Minimum Illumination (F2.0, 30IRE, AGC max.)	0.05 lx (color) 0.005 lx (B/W) 0.00 lx (IR LED on)
ESC	1/50 – 1/120,000
Manual Shutter	1/50(60), 1/100(120), 1/250, 1/500, 1/700, 1/1k, 1/1.6k, 1/2.5k, 1/5k, 1/7k, 1/10k, 1/30k, 1/60k, 1/120k
DNR	Off, Low, Middle, High
White Balance	ATW, Manual, Push
SBLC	Off, Low, Middle, High
AGC	On, Off
Day/Night	Auto, Color, B/W, Ext.
Burst	On, Off
Motion detection	On, Off (4 programmable zones)
Privacy	On, Off (4 programmable zones)
Mirror	On (horizontal), Off
Sharpness	1 - 20
Gamma	0.35, 0.45, 0.6, 0.75
OSD language	English, Chinese
Lens type (VDI-230)	Fixed Lens (f = 3.8 mm)
Lens type (VDI-260)	DC Iris Varifocal Lens (f = 3.8 to 9.5 mm)
IR illumination (VDI-230)	28 IR LEDs (850 nm, 45°)
IR illumination (VDI-260)	18 IR LEDs (850 nm, 45°)
IR range	15 m
Supply Voltage	12 VDC (±10%)
Power Consumption	4.8 W max. / 0.4 A
Operating Temperature	-10 °C to +50 °C (14 °F to +122 °F)
Operating Humidity	30% to 80% RH
Storage Temperature	-20 °C to +60 °C (-4 °F to +140 °F)
Storage Humidity	20% to 90% RH

Certifications and approvals

Region	Certification
Europe	CE
Standards	EN 55022:2006/A1:2010 EN 60950-1:2006/ A11:2009+A1:2010+A12:2011+AC:2011

Represented by:

Americas:
Bosch Security Systems, Inc.
130 Perinton Parkway
Fairport, New York, 14450, USA
Phone: +1 800 289 0096
Fax: +1 585 223 9180
security.sales@us.bosch.com
www.boschsecurity.us

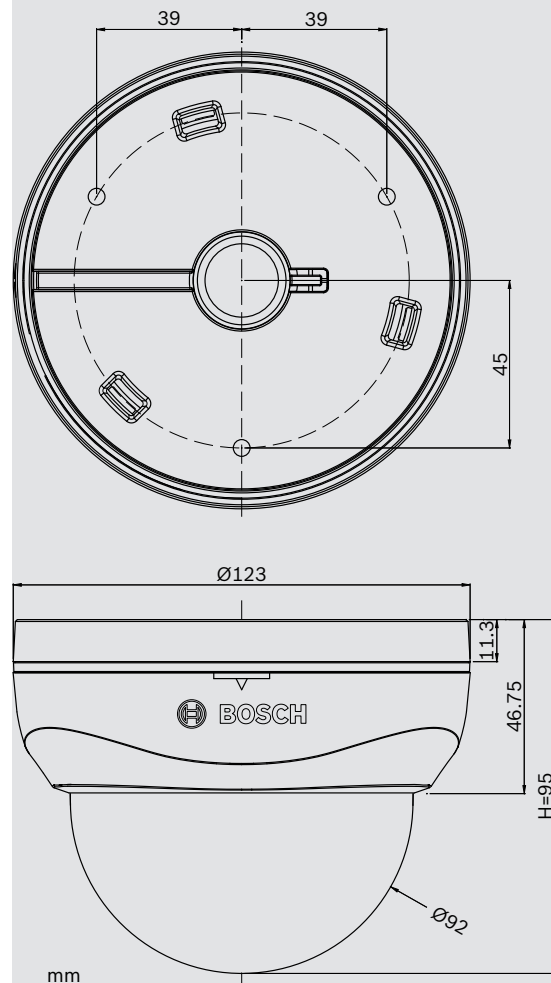
Europe, Middle East, Africa:
Bosch Security Systems B.V.
P.O. Box 80002
5617 BA Eindhoven, The Netherlands
Phone: +31 40 2577 284
Fax: +31 40 2577 330
emea.securitysystems@bosch.com
www.boschsecurity.com

Asia-Pacific:
Robert Bosch (SEA) Pte Ltd, Security Systems
11 Bishan Street 21
Singapore 573943
Phone: +65 6571 2808
Fax: +65 6571 2699
apr.securitysystems@bosch.com
www.boschsecurity.asia

China:
Bosch (Shanghai) Security Systems Ltd.
201 Building, No. 333 Fuquan Road
North IBP
Changning District, Shanghai
200335 China
Phone +86 21 22181111
Fax: +86 21 22182398
www.boschsecurity.com.cn

America Latina:
Robert Bosch Ltda Security Systems Division
Via Anhanguera, Km 98
CEP 13065-900
Campinas, Sao Paulo, Brazil
Phone: +55 19 2103 2860
Fax: +55 19 2103 2862
latam.boschsecurity@bosch.com
www.boschsecurity.com

Installation/configuration notes



Ordering information

Indoor IR Dome Camera, 3.8 mm fixed lens	VDI-230F04-10
Indoor IR Dome Camera, 3.8 to 9.5 mm vari-focal lens	VDI-260V03-10