

VIP X1600 XF Modular High-performance Video Encoder

www.boschsecurity.com



BOSCH

Invented for life



- ▶ Up to 16 video input channels
- ▶ Modular and expandable with hot-swappable video modules
- ▶ Direct or network-attached iSCSI RAID
- ▶ Intelligent video motion detection and camera tampering detection on encoder modules
- ▶ ONVIF conformant

VIP X1600 XF is a modular, high-performance CCTV video encoder system. Each VIP X1600 XF is a 4 x 4 unit that accommodates up to four hot-swappable modules, allowing modules to be added or exchanged at any time without interrupting transmission to the other modules' channels.

The VIP-X1600-XFB base system provides two 1 Gbps Ethernet ports on the front and an additional 1 Gbps Ethernet port on the rear. This provides a greater choice of network connectivity and allows for easier inside-rack cabling like, for example, direct connection to an iSCSI storage array. This base system also features a 1 Gbps small form-factor pluggable (SFP) slot on the front, for example, for an optical transceiver to enable direct fiber connection to a remote network. For applications not benefiting from these advanced features the VIP-X1600-B base system is available that just provides two 1 Gbps Ethernet ports, one on the front and one on the rear.

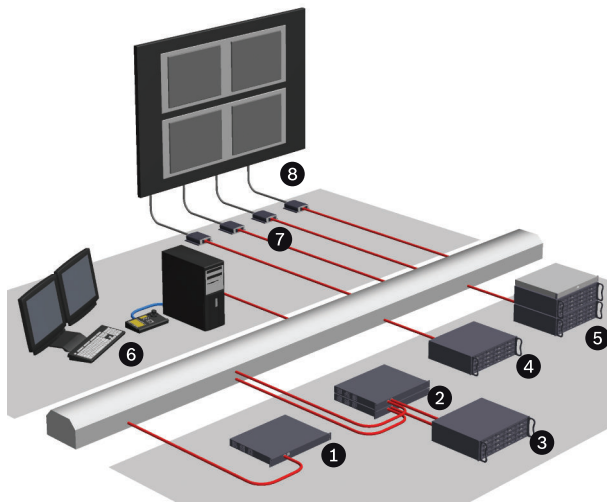
The VIP X1600 XF H.264 main profile encoder modules (VIP-X1600-XFM4A/XFM4B) deliver real-time H.264 compressed video over IP, providing two independent streams per camera with full frame rate at best quality for different purposes, like one stream for live viewing with lowest delay while the second stream is optimized for requiring only little recording space. In

addition they are equipped with a hardware-accelerator for VCA functions, bringing "Intelligence-at-the-Edge" to the next level. A module version supporting BILINX communication over coax cable is also available.

View the video on a PC using Bosch's comprehensive video management system, with or without Bosch's IntuiKey keyboard. Alternatively, use a Web browser. These high-performance, multi-channel devices with iSCSI Recording-at-the-Edge, offer top-of-the-line Video-over-IP performance for CCTV today. Designed for reliability, VIP X1600 XF features hot-swappable video modules, dual redundant power supply inputs, and redundant network ports.

The Bosch VideoSDK provides the means to integrate VIP X1600 XF with other video management systems.

System overview



- 1 VIP X1600 XF with up to 16 analog cameras, network-attached iSCSI storage, or streaming only
- 2 2 x VIP X1600 XF with up to 16 analog cameras
- 3 Direct-attached iSCSI RAID
- 4 Network-attached iSCSI RAID unit
- 5 NVR server with SCSI connection to very large RAID unit
- 6 Management station with IntuiKey
- 7 VIDEOJET decoders
- 8 Monitors

Functions

Flexibility

VIP X1600 XF supports external storage, either directly attached to the unit (Recording-at-the-Edge), or across an IP network to a centralized network video recorder (NVR). For Recording-at-the-Edge, attach an iSCSI RAID directly to VIP X1600 XF, making the system's recording performance wholly independent from the network's performance. The iSCSI RAID storage enables VIP X1600 XF to act as a conventional DVR and stream high-performance live video across the network.

VIP X1600 XF supports the Bosch Video Recording Manager, Bosch's flexible and scalable recording management software. It allows a flexible assignment of recording space on camera level including load balancing and decent redundancy features. Bosch Video Recording Manager is available as stand-alone system or embedded into the Bosch Video Management System.

Dual Streaming

The VIP X1600 XF encoder modules use Dual Streaming to generate two independent IP video streams per channel if sufficient computational power

is available. This allows viewing and recording at two different quality levels to save disk space and bandwidth. On alarm, they can send an e-mail with JPEG images attached.

Dual recording

You can record the streams independently on different media. Thus video can e.g. be recorded centrally on iSCSI drives managed by VRM Video Recording Manager and redundantly on the local media.

Recording profiles

The encoder modules feature a highly flexible recording scheduler, providing up to ten programmable recording profiles and allowing individually assigned camera profiles. With these profiles, you can accelerate the frame rate as well as increase the resolution on alarm, saving recording space during non-alarm periods.

Access security

The devices offer various security levels for accessing the network, the unit, and the data channels. As well as password protection with three levels, they support 802.1x authentication using a RADIUS server for identification. You can secure Web browser access by HTTPS using a SSL certificate that is stored in the unit.

Also the communication channels—video, audio, or serial I/O—are then AES encrypted.

Intelligence

With built-in video content analysis, VIP X1600 XF encoder modules reinforce the Intelligence-at-the-Edge concept where edge devices become increasingly intelligent. The VIP X1600 XF encoder module comes with built-in MOTION+ video motion detection. This motion detection algorithm is based on pixel change and includes object size filtering capabilities and sophisticated tamper detection capabilities. Bosch offers more advanced video content analysis (VCA) applications with its IVA (Intelligent Video Analysis). A licensable option, it bases the IVA algorithm on digital imaging technology that uses multi-level image analysis of pixel, texture, and motion (trajectory) changes.

Viewing

View the VIP X1600 XF encoder module video on a PC using a Web browser, in Bosch Video Management System, or integrate it into another video management system. By routing the IP video to a high-performance VIDEOJET decoder or a monitor wall, you can present the video with ultimate clarity.

Easy upgrade

Remotely upgrade the VIP X1600 XF modules whenever new firmware becomes available. This ensures up-to-date products, thus protecting investment with little effort.

ONVIF conformance

Conformance to ONVIF 1.02 and ONVIF Profile S provides interoperability between network video products regardless of manufacturer. In addition, the firmware of the device supports all applicable features of the ONVIF 2.2 specification.

ONVIF conformant devices are able to exchange live video, audio, metadata, and control information and ensure that they are automatically discovered and connected to network applications such as video management systems.

Certifications and approvals

Safety

Region	Number
	IEC 60950

System

Region	Number
	IEC 62676-2
	EN50132-5-2

Electromagnetic compatibility

Region	Number
EU	EN50130-4 Alarm systems
	EN50121-4
	EN55022 ITE
	EN55024 ITE
	EN61000-3-2
	EN61000-3-3
US	FCC 47 CFR Chapter 1 Part 15
AU	AS/NZS 3548
JP	VCCI-3/2008.04 Class B

Approvals

Region	Certification	
Europe	CE	VIP X1600 Bases
	CE	VIP X1600 XFM4
	CE	VIP X1600 Power Supply
USA	UL	Bosch UL online certifications directory (link)
China	CCC	VIP X1600 Power Supply

Installation/configuration notes

H.264 encoder modules (VIP-X1600-XFM4A/XFM4B)

All H.264 encoder modules have four camera inputs that support Dual Streaming. They provide dedicated hardware for encoding and VCA and thus are not limited in frame rate and resolution settings, nor in Dual Streaming:

	Stream 1	Stream 2
4CIF/D1	30 ips	30 ips
CIF	30 ips	30 ips

ips = frame rate in images per second

Front view base systems



VIP-X1600-XFB

- 1 2 x redundant 10/100/1000 Base-T Gigabit Ethernet
- 2 1 x SFP slot for additional Gigabit Ethernet interface e.g. via Fiber
- 3 5 x status LEDs



VIP-X1600-B

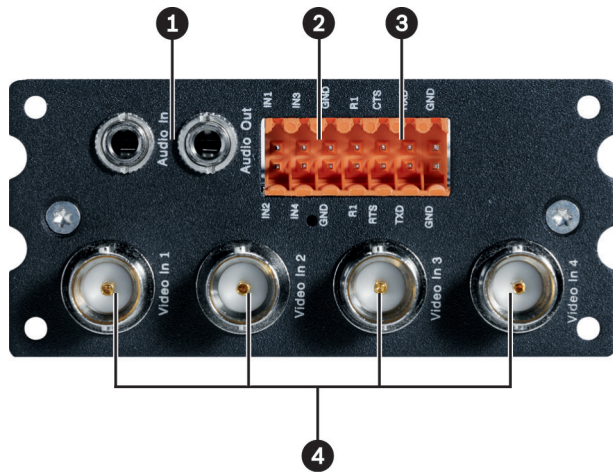
- 1 1 x 10/100/1000 Base-T Gigabit Ethernet (redundancy achieved by combining with rear side Ethernet interface)
- 2 These interfaces are not available for VIP-X1600-B
- 3 5 x status LEDs

Rear view base systems



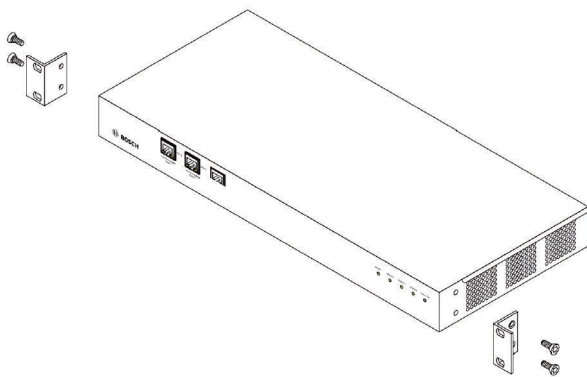
- 4 4 x module slot
- 5 1 x 10/100/1000 Base-T Gigabit Ethernet (redundancy achieved by combining with front side Ethernet interface)
- 6 2 x power supply input (redundant use possible)

H.264 encoder module close-up



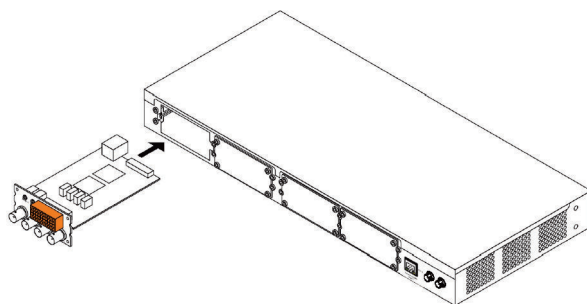
- 1 Line-level audio input/output jacks
- 2 4 x alarm in and 1 x relay out
- 3 COM port (RS-232/485)
- 4 4 x video input

Rack mounting



VIP X1600 XF rack mounting accessories

Module assembly



VIP X1600 XF module assembly

Parts included

VIP X1600 XF base systems

Quantity	Component
1	VIP-X1600-XFB base system or VIP-X1600-B base system
1	Mounting kit for 19" rack
1	Quick Installation Guide
1	CD-ROM with software and documentation

Modules and power supply are not included, order separately.

VIP X1600 XF modules

Quantity	Component
1	VIP-X1600-XFM4A 4-channel H.264 encoder module, or VIP-X1600-XFM4B 4-channel H.264 encoder module
1	Quick Installation Guide

VIP X1600 XF stand-alone power supply

Quantity	Component
1	VIP-X1600-PS stand-alone power supply (EU/US, UK, and AUS versions available)
1	Power cord (EU/US one each)

Technical specifications

Base systems

Power supply	
Electrical	
• Input	100 to 240 VAC, 47 to 63 Hz, 1.6 A
• Output	12 VDC, 5 A max
Mechanical	
• Dimensions (H x W x D)	35 x 118 x 52 mm (without cable outlet) (1.4 x 4.7 x 2.1 in)
• Weight	Approx. 0.4 kg (0.8 lb)
• Connectors	IEC 320, Switchcraft 760
Environmental	
• Operating temperature	0 °C to +50 °C (+32 °F to +122 °F)
• Storage temperature	-40 °C to +85 °C (-40 °F to +185 °F)
• Relative humidity	10 to 95%, non-condensing

Network VIP-X1600-XFB	
Ethernet	Triple port (2 front, 1 rear) 10/100/1000 Base-T, auto sensing, half/full duplex, RJ45
SFP	1 Gbps SFP (small form-factor pluggable) slot at front
Protocols	IPv4, IPv6, UDP, TCP, HTTP, HTTPS, RTP, IGMP V2/V3, ICMP, RTSP, FTP, Telnet, ARP, DHCP, SNMP, SNMP (V1, MIB-II), 802.1x, SMTP, iSCSI, UPnP (SSDP), RSTP

Network VIP-X1600-B	
Ethernet	Dual port (1 front, 1 rear) 10/100/1000 Base-T, auto sensing, half/full duplex, RJ45
Protocols	IPv4, IPv6, UDP, TCP, HTTP, HTTPS, RTP, IGMP V2/V3, ICMP, RTSP, FTP, Telnet, ARP, DHCP, SNMP, SNMP (V1, MIB-II), 802.1x, SMTP, iSCSI, UPnP (SSDP), RSTP

Mechanical	
Dimensions (H x W x D)	44 x 440 x 210 mm (without brackets) (17.3 x 8.3 x 1.7 in)
Color	Charcoal
Weight	Approx. 4.0 kg (8.4 lb) with 4 modules

Environmental	
Operating temperature	0 °C to +50 °C (+32 °F to +122 °F)
Storage temperature	0 °C to +50 °C (+32 °F to +122 °F)
Relative humidity	0 to 95%, non-condensing
Thermal value	170 BTU/h max

H.264 encoder modules (VIP-X1600-XFM4A/XFM4B)

Input/output	
Video	4 x input
• connector	BNC
• impedance	75 ohm, switchable
• signal	Analog composite, 0.7 to 1.2 Vpp, NTSC or PAL
Audio	2 x mono line in, 1 x mono line out
• connector	2 x 3.5 mm stereo jack
• signal line in	9 kohm typical, 5.5 Vpp max
• signal line out	3.0 Vpp at 10 kohm/1.7 Vpp at 16 ohm typ.
Alarm	4 x input

Input/output	
• connector	Clamp (non-isolated closing contact)
• activation resistance	10 ohm max
Relay	1 x output
• connector	Clamp
• signal	30 Vpp (SELV), 0.2 A
COM port	Clamp, RS-232/422/485

Video	
Standards	H.264 MP, H.264 BP+ (ISO/IEC 14496-10) M-JPEG
Data rates	9.6 kbps to 6 Mbps per channel (MP) 9.6 kbps to 2.5 Mbps per channel (BP+)
Resolution	Horizontal x vertical PAL/NTSC
• 4CIF/D1	704 x 576/480 (25/30 ips)
• 2CIF	704 x 288/240 (25/30 ips)
• 2/3 D1	464 x 576/480 (25/30 ips)
• 1/2 D1	352 x 576/480 (25/30 ips)
• CIF	352 x 288/240 (25/30 ips)
• QCIF	176 x 144/120 (25/30 ips)
GOP structure	I, IP, IPBB, IBRRBP
Overall IP delay	120 ms
Dual streaming	Independently on all channels
Frame rate	1 to 50/60 (PAL/NTSC)

Audio	
AAC	
• Profile	AAC-LC
• Frequency range	300 Hz to 6.4 kHz
• Data rate	48 kbps at 16 kHz sampling rate
G.711	
• Frequency range	300 Hz to 3.4 kHz
• Data rate	80 kbps at 8 kHz sampling rate
L16	
• Frequency range	300 Hz to 6.4 kHz

Audio	
• Data rate	640 kbps at 16 kHz sampling rate
Signal-to-noise ratio	> 50 dB
Network	
Protocols	IPv4, IPv6, UDP, TCP, HTTP, HTTPS, RTP, IGMP V2/V3, ICMP, RTSP, FTP, Telnet, ARP, DHCP, SNMP, SNMP (V1, MIB-II), 802.1x, SMTP, iSCSI, UPnP (SSDP)
Encryption	TLS 1.0, SSL, DES, 3DES, AES
Control	
Software update	Flash ROM, remote programmable
Configuration	Configuration Manager or web browser
Camera control	Via serial interface; supported* protocols and devices:
• Bosch	AUTODOME, HSPT, MIC1-300 IP, TC8x00
• Canon	VCC1, VC-C4R
• CBC	SMD 12P/12PII/20P
• JVC	TK-C676
• Panasonic	WV-CS850
• Pelco	Spectra D/P
• Sensomatic	SpeedDome Ultra
• Sony	EVI D30/31/D100
• Ultrak	KD6
• VT	VPT4x
	* Basic functions only, no claim for full functionality valid. Bosch may not be made responsible if functions are not implemented or not working under all circumstances.
Environmental	
Operating temperature	0 °C to +40 °C (+32 °F to +104 °F)
	With only 2 modules installed: 0 °C to +50 °C (+32 °F to +122 °F)
Storage temperature	0 °C to +50 °C (+32 °F to +122 °F)
Relative humidity	0 to 95%, non-condensing

Ordering information

VIP X1600 XFB Base

Modular video encoder base unit. 4 bays for 4 modules; 3 Ethernet and 1 SFP ports (1 Gbps)
Order number **VIP-X1600-XFB**

VIP X1600 B Base

Modular video encoder base unit. 4 bays for 4 modules; 2 Ethernet ports (1 Gbps)
Order number **VIP-X1600-B**

VIP X1600 XFM4A Module

High-performance modular video encoder. H.264 quad-streaming; iSCSI; audio; IVA-ready; 4 alarm inputs; 4-channel
Order number **VIP-X1600-XFM4A**

VIP X1600 XFM4B Module

High-performance modular video encoder. H.264 quad-streaming; iSCSI; audio; IVA-ready; 4 alarm inputs; BILINX; 4-channel
Order number **VIP-X1600-XFM4B**

Accessories

VIP X1600 PSU

Stand-alone power supply. EU and US
Order number **VIP-X1600-PS**

VIP X1600 PSU UK

Stand-alone power supply. UK
Order number **VIP-X1600-PSUK**

VIP X1600 PSU AU

Stand-alone power supply. AUS
Order number **VIP-X1600-PSAU**

DSA E-Series Simplex Controller, 8 x 2 TB

High-performance, high-capacity storage system base unit, iSCSI disk array, 8 x 2 TB HDD
Order number **DSA-N2E7X2-08AT**

DSA E-Series Simplex Controller, 12 x 2 TB

High-performance, high-capacity storage system base unit, iSCSI disk array, 12 x 2 TB HDD
Order number **DSA-N2E7X2-12AT**

Software Options

IVA license quad channel encoder

IVA 4.xx/5.xx VCA software license (e-license) for quad channel encoder
Order number **MVC-FIVA4-ENC4**

Represented by:

Americas:

Bosch Security Systems, Inc.
130 Perinton Parkway
Fairport, New York, 14450, USA
Phone: +1 800 289 0096
Fax: +1 585 223 9180
security.sales@us.bosch.com
www.boschsecurity.us

Europe, Middle East, Africa:

Bosch Security Systems B.V.
P.O. Box 80002
5617 BA Eindhoven, The Netherlands
Phone: + 31 40 2577 284
Fax: +31 40 2577 330
emea.securitysystems@bosch.com
www.boschsecurity.com

Asia-Pacific:

Robert Bosch (SEA) Pte Ltd, Security
Systems
11 Bishan Street 21
Singapore 573943
Phone: +65 6571 2808
Fax: +65 6571 2699
apr.securitysystems@bosch.com
www.boschsecurity.asia

China:

Bosch (Shanghai) Security Systems Ltd.
203 Building, No. 333 Fuquan Road
North IBP
Changning District, Shanghai
200335 China
Phone +86 21 22181111
Fax: +86 21 22182398
www.boschsecurity.com.cn

America Latina:

Robert Bosch Ltda Security Systems Division
Via Anhanguera, Km 98
CEP 13065-900
Campinas, Sao Paulo, Brazil
Phone: +55 19 2103 2860
Fax: +55 19 2103 2862
latam.boschsecurity@bosch.com
www.boschsecurity.com