

# Mounting Poles

MP1/MP2/MP3



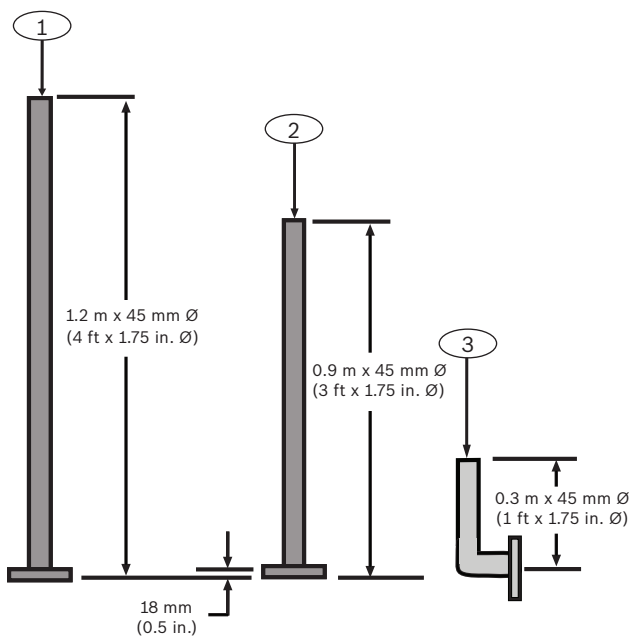
**BOSCH**

**en** Installation Guide



# 1 Installation Guide

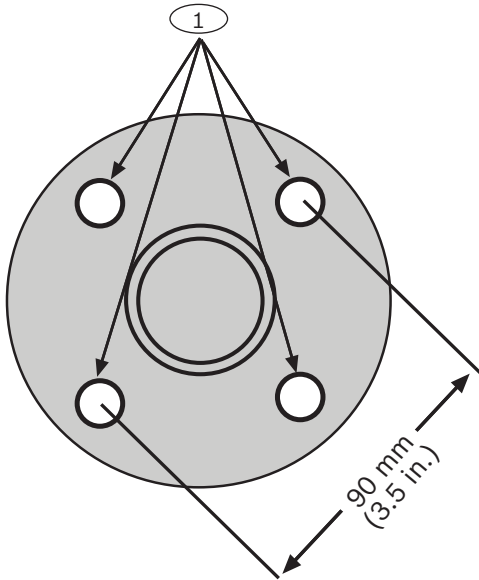
For mounting Bosch Security Systems' photoelectric beam detectors, use the MP1, MP2 straight metal poles, or MP3 curved metal pole. These poles are manufactured from steel and pre-finished with a dark, gloss, acrylic paint to resist rust. Refer to the following figure for height and diameter information.



**Figure 1.1: MP2, MP1, and MP3 metal poles**

Callout – Description
1 – MP2 - 1.2 m (4 ft)
2 – MP1 - 0.9 m (3 ft)
3 – MP3 - 0.3 m (1 ft)

You can anchor the MP1 and MP2 poles to floors with bolts using the four 14 mm (9/16 in.) flange holes shown in the following figure. You can mount the poles outdoors on a suitable concrete base.



**Figure 1.2: Flange bottom view**

Callout – Description
-----------------------

1 – 14 mm (9/16 in.) holes (4)
--------------------------------

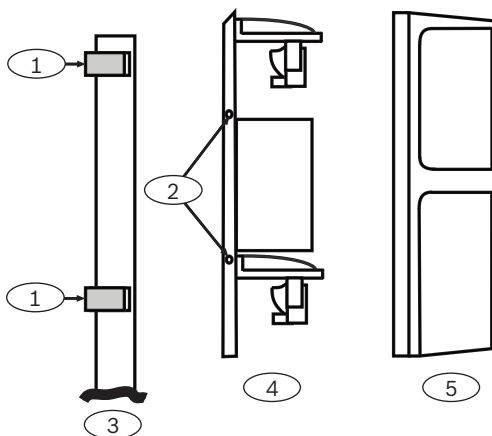
Wall mount the MP3 using the four 14 mm (9/16 in.) flange holes.



**Notice!**

No hardware is supplied with the MP1, MP2, and MP3 poles. The clamps and hardware to mount the detector to the poles are supplied with the detectors.

- Firmly anchor the poles to resist movement and vibrations. This is especially important when mounted outdoors where poles can be subject to high winds.
  - Install poles within the detector’s maximum range.
  - Install the poles so the path between the transmitters and receivers is clear and will remain clear of obstructions. If installed outdoors, do not allow trees, weeds, and plants to grow into the path between the transmitters and receivers.
  - Do not install poles where they might be subject to heavy amounts of water falling from roofs or overflowing gutters.
- Refer to the following figure when installing the poles.



**Figure 1.3: Side view**

Callout – Description
1 – Clamp (2)
2 – Mounting holes (2)
3 – Mounting pole
4 – Detector base
5 – Cover





**Bosch Security Systems, Inc.**

130 Perinton Parkway

Fairport, NY 14450

USA

**[www.boschsecurity.com](http://www.boschsecurity.com)**

© Bosch Security Systems, Inc., 2016

Bosch Sicherheitssysteme GmbH

Robert-Bosch-Ring 5

85630 Grasbrunn

**Germany**

[www.boschsecurity.com](http://www.boschsecurity.com)