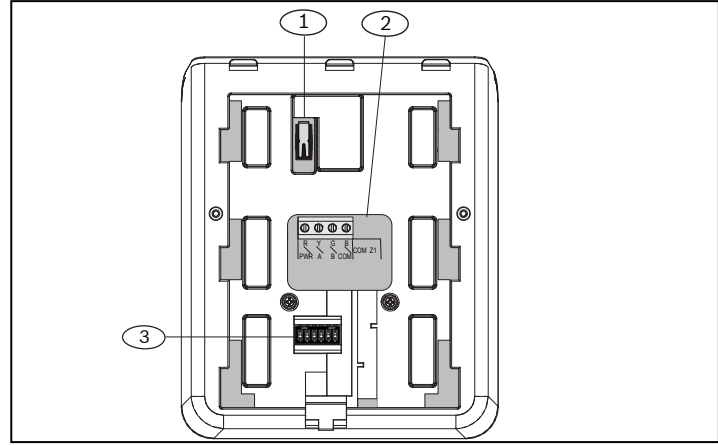


1 | Overview

The B915 and B915I keypads are SDI2 bus devices. The B915 function keys are labeled in English. The B915I function keys are labeled with icons.



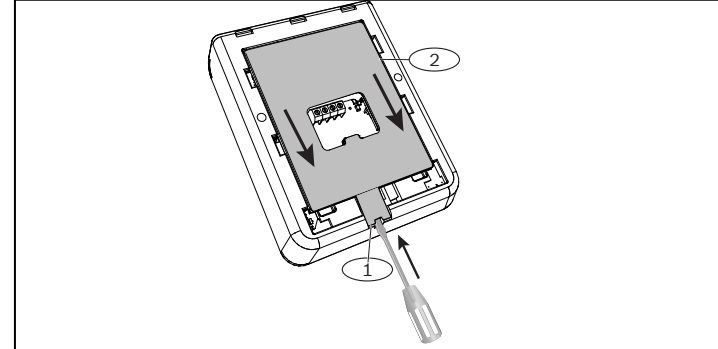
Callout – Description	
1	Tamper switch
2	SDI2 wiring terminal block
3	Address switches

2 | SDI2 address switches

Address switches set the address for the keypad. The control panel uses the address for communications. To set the switches, use a ballpoint pen.

2.1 | Accessing the address switches

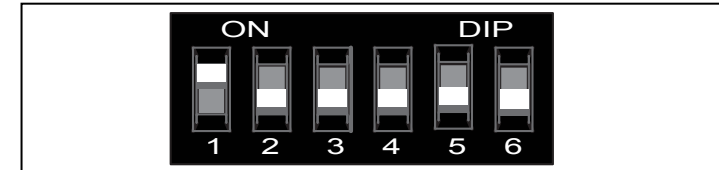
1. Insert a slotted screwdriver under the mounting plate (callout #1). Do not pry upwards.
2. To release the mounting plate, push the plate towards the bottom of the keypad.
3. Remove the plate. Refer to the following illustration.



Callout – Description	
1	Retention clip
2	Mounting plate

2.2 | Setting the keypad address

To set the keypad addresses (per the control panel configuration), use the DIP switches. If multiple SDI2 keypads are on the same system, each keypad must have a unique address. The following illustration shows the address switch setting for address 01. Refer to the table for keypad address settings for address 00 to 32.



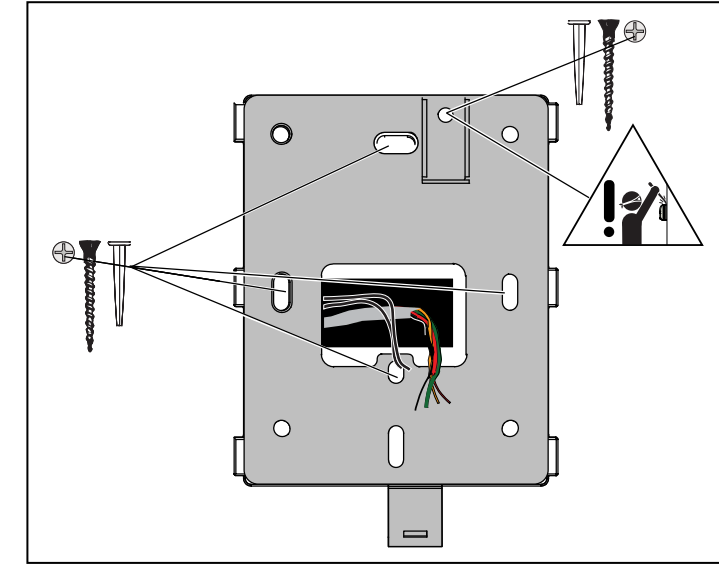
SDI2 Address	DIP Switches ON						SDI2 Address	DIP Switches ON						
	1	2	3	4	5	6		1	2	3	4	5	6	
00							17	X					X	
01	X						18		X				X	
02		X					19	X	X				X	
03	X	X					20			X			X	
04			X				21	X		X			X	
05	X		X				22		X	X			X	
06		X	X				23	X	X	X			X	
07	X	X	X				24					X	X	
08				X			25	X				X	X	
09	X			X			26		X			X	X	
10		X		X			27	X	X			X	X	
11	X	X		X			28			X	X	X		
12			X	X			29	X		X	X	X		
13	X		X	X			30		X	X	X	X		
14		X	X	X			31	X	X	X	X	X		
15	X	X	X	X			32							X
16					X									

3 | Installing

CAUTION! Remove all power (AC and battery) before making any connections. Failure to do so might result in personal injury and/or equipment damage.

3.1 | Installing the mounting plate

1. Use the mounting plate to mark screw locations and wire opening.
2. Pull the wiring through the wire opening.
3. Use the mounting hardware to attach to the wall.



3.2 | Installing the tamper screw

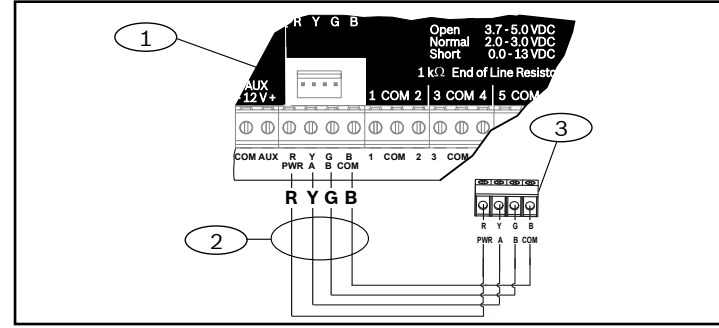
To provide tamper protection, install a screw into the tamper location shown above.

3.3 | Wiring the keypad

1. Connect the wiring to keypad terminals labeled R, Y, G, B.
2. Attach the keypad to the mounting plate.

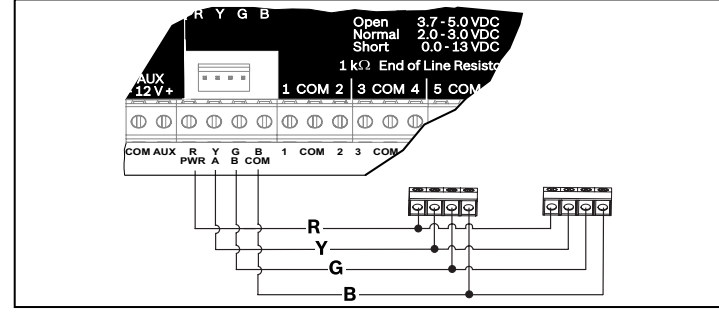
3.4 | Wiring to the control panel

Attach the wire to the control panel using terminals labeled R, Y, G, B (PWR, A, B, COM). Refer to the following illustration. B5512 control panel shown.



Callout – Description	
1	Control panel
2	Terminal wiring
3	Keypad's wiring terminal block





Use the control panel terminals labeled R, Y, G, B (PWR, A, B, COM). Connect them to the keypad terminals labeled R, Y, G, B. Keypads can be wired directly to the control panel or from keypad to keypad.



3.5 | Attaching the keypad

1. Align the mounting hook openings over the mounting hooks
2. Push the keyboard down.
3. Send power to the system.
4. Test for proper operation.

4 | Status indicators

Status indicator	Function
	Green - Ready to turn Part On Red - Part On (part armed)
	Green - ready to turn All On Red - All On (all armed)
	Yellow - System trouble
	Blue - AC power present

5 | Audible tones

Tone	Description
Fire signal	When an area is in fire alarm, the keypad emits a pulsed, high-pitched bell tone.
Gas signal	When a gas point activates, the keypad emits a unique high-pitched tone.
User alarm	When a user alarm (such as panic and medical alarms) occurs, the tone sounds for the programmed amount of time.
Burglary signal	When an area is in alarm, the keypad emits a steady, high-pitched bell tone.
Entrance warning	During delay periods, the keypad emits an intermittent beep to remind the user to disarm the area.
Exit warning	During exit delay, the keypad emits an intermittent beep.
Invalid button buzz	When an invalid button, or sequence of buttons, is pressed, the keypad emits a flat buzz tone.
Keypad encoding tone	When the keypad accepts an entry, it emits a muted beep tone as each button is pressed.
Trouble buzzer	When a trouble event occurs, such as a service alert, the keypad emits a two-tone warble until you enter a programmed passcode with the appropriate authority.
Watch tone	Anytime a watch point is faulted, a single clean tweedle tone alerts the user.

6 | Supervision

The control panel supervises all SDI2 devices. Any device that fails to respond will be declared missing.

7 | Showing the firmware version

Remove, then add power. The model number, keypad address, and firmware version show for 10 seconds.



NOTICE!

You can also view a keypad's firmware version in RPS.

8 | Keypad cleaning

Use a soft cloth or a non-abrasive cleaning solution. Spray the cleaner onto the cloth, not the keypad.

9 | Specifications

Dimensions	5.5 in x 4.7 in x 1 in (139 mm x 118 mm x 23 mm)
Voltage (input)	12 VDC nominal
Current	35 mA in standby mode 70 mA in alarm mode
Operating temperature	0°C to +50°C (+32°F to +122°F)
Relative humidity	5% to 93% at +32°C (+90°F) non-condensing
Terminal wire size	18 AWG to 22 AWG (1.02 mm to 0.65 mm)
SDI2 wiring	Maximum distance - wire size (unshielded wire only): 984 ft (300 m) - 18 AWG to 22 AWG (1.02mm to 0.65 mm)
Compatibility	B9512G/B9512G-E B8512G/B8512G-E B6512 B5512 version 2.03 and higher B4512 version 2.03 and higher B3512 version 2.03 and higher D9412GV4 version 2.03 and higher D7412GV4 version 2.03 and higher (Refer to the control panel installation document for the number of supported devices.)

10 | Certifications

Region	Certification
US	UL 365 - Police Station Connected Burglar Alarm Units and Systems
	UL 609 - Local Burglar Alarm Units and Systems
	UL 636 - Holdup Alarm Units and Systems
	UL 985 - Household Fire Warning System Units
	UL 1023 - Household Burglar-Alarm System Units
	UL 1076 - Proprietary Burglar Alarm Units and Systems
	UL 1610 - Central Station Burglar Alarm Units
	CSFM - California Office of The State Fire Marshal
	FCC Part 15 Class B
	CP-01-2010 - Control Panel Standard - Features for False Alarm Reduction
CA	Canada CAN/ULC S303 - Local Burglar Alarm Units and Systems
	CAN/ULC S304 - Signal Receiving Centre and Premise Alarm Control Units
	CAN/ULC S545 - Residential Fire Warning System Control Units
	CAN/ULC S559 - Fire Signal Receiving Centres and Systems
	ULC-ORD C1023 - Household Burglar Alarm System Units
	ULC-ORD C1076 - Proprietary Burglar Alarm Units and Systems
	ICES-003 - Digital Apparatus

DE-de: Für Dokumentation in Ihrer Sprache, klicken Sie hier <https://de.boschsecurity.com/de>

EL-gr: Μεταβείτε στη διεύθυνση <https://gr.boschsecurity.com/el/> για την τεκμηρίωση σε αυτήν τη γλώσσα.

ES-es: Visite <https://es.boschsecurity.com/es/> para obtener documentación en este idioma.

FR-fr: Accédez à l'adresse <https://fr.boschsecurity.com/fr/> pour obtenir la documentation dans cette langue.

HU-hu: A honosított dokumentációt lásd a <https://hu.boschsecurity.com/hu/oldalon>.

IT-it: Andare a <https://it.boschsecurity.com/it/> per la documentazione in questa lingua.

NL-nl: Voor de documentatie in uw taal, ga naar <https://www.boschsecurity.com/nl/nl>

PL-pl: Dokumentacja w tym języku znajduje się w witrynie <https://pl.boschsecurity.com/pl/>

PT-br: Acesse <http://pt.boschsecurity.com/pt/> para obter a documentação neste idioma.

SE-sv: For documentation in this language, go to <https://www.boschsecurity.com/xn/en/>

Copyright

This document is the intellectual property of Bosch Security Systems, Inc. and is protected by copyright. All rights reserved.

Trademarks

All hardware and software product names used in this document are likely to be registered trademarks and must be treated accordingly.

Bosch Security Systems, Inc. product manufacturing dates

Use the serial number located on the product label and refer to the Bosch Security Systems, Inc. website at <http://www.boschsecurity.com/datecodes/>.



Basic Keypad B915/B915I



en Installation Guide

Bosch Security Systems, B.V.

Torenallee 49
5617 BA Eindhoven
Netherlands
www.boschsecurity.com

