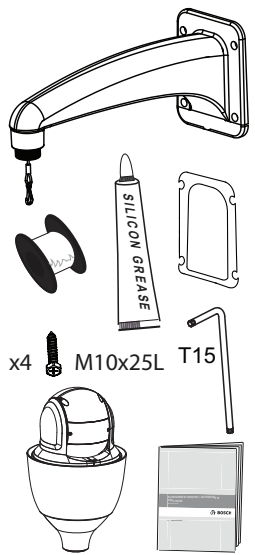
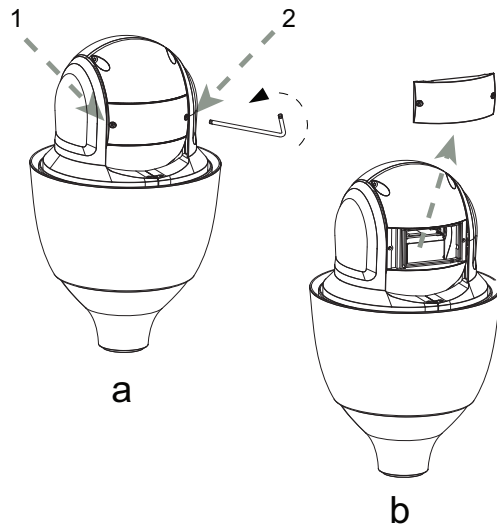


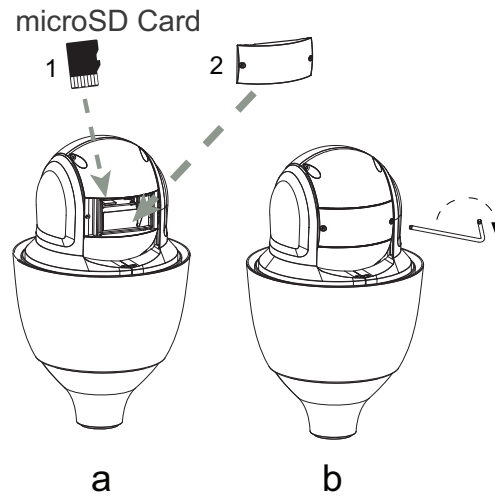
1 |



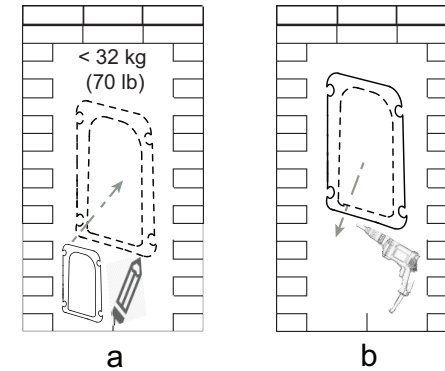
2 |



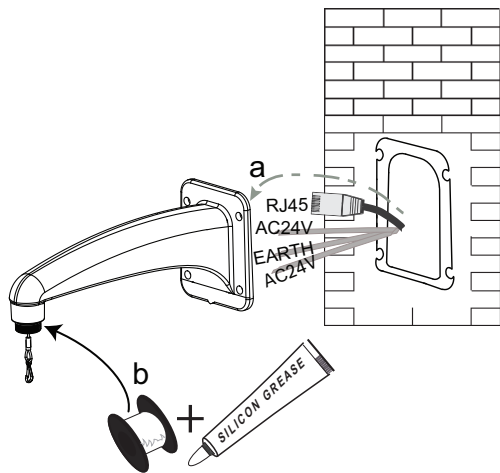
3 |



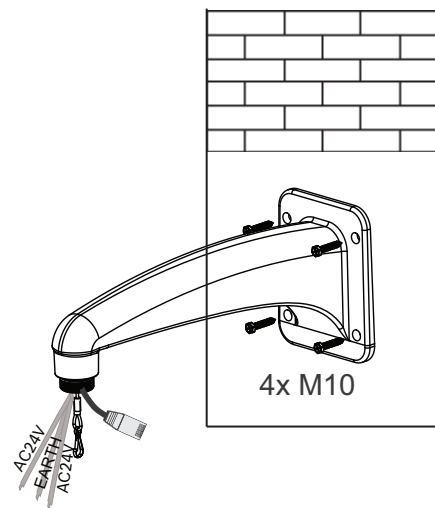
4 |



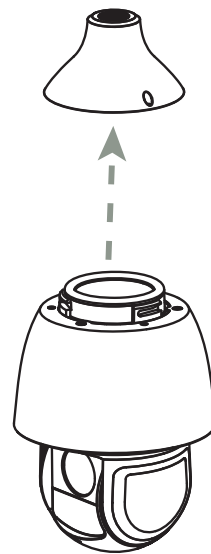
5 |



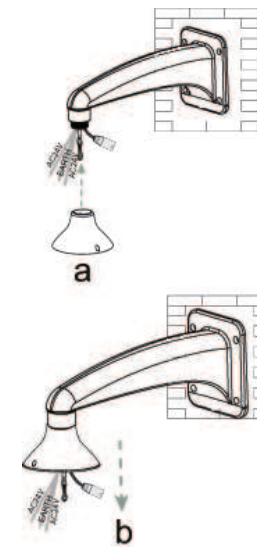
6 |

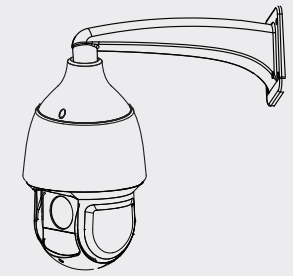
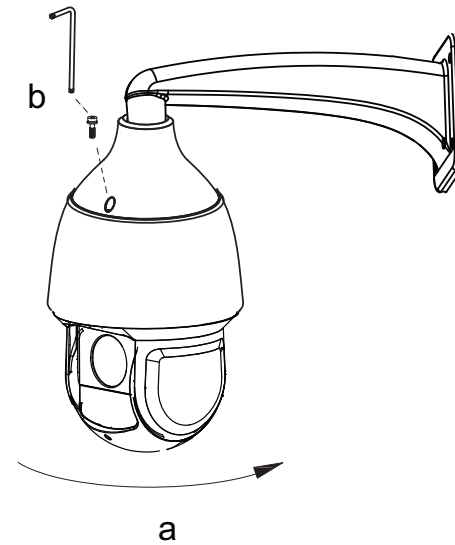
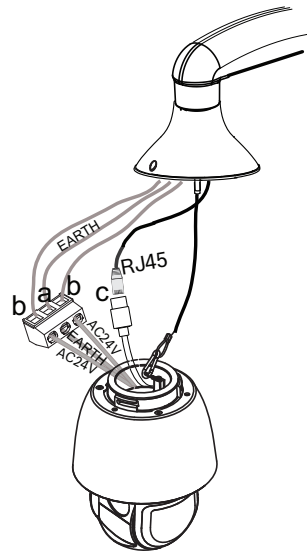
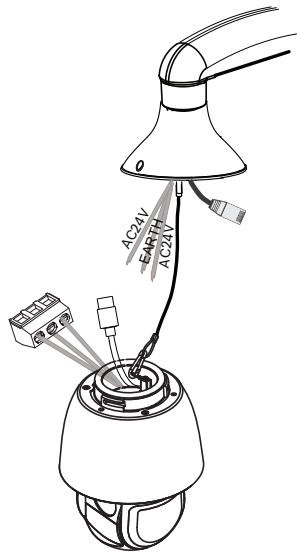


7 |



8 |





AUTODOME IP 5000 IR



en Quick Installation Guide - Wall Mount

### View & Configure



<http://downloadstore.boschsecurity.com/>



Bosch Video Client



Video Security Client



Configuration Manager



**Bosch Security Systems, Inc.**  
 1706 Hempstead Road  
 Lancaster, PA, 17601  
 USA  
**www.boschsecurity.com**  
 © Bosch Security Systems, Inc., 2015

**Bosch Sicherheitssysteme GmbH**  
 Robert-Bosch-Ring 5  
 85630 Grasbrunn  
 Germany  
 © Bosch Sicherheitssysteme GmbH, 2015